

Building connections that last™



Series 8145 & Series 8146

Brass Ball Valves, Threaded
& Sweat Datasheet



Brass Ball Valve, Threaded Series 8145



Design Features

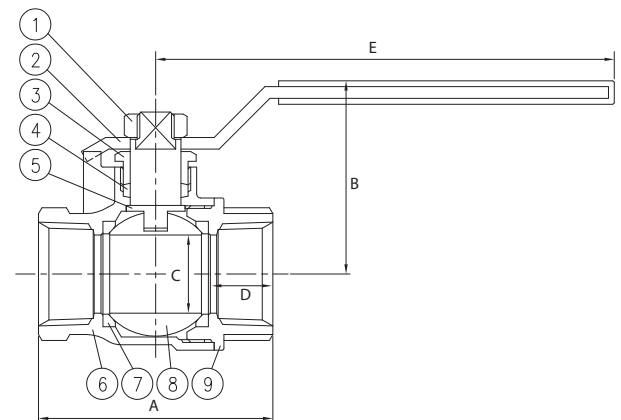
- 600 lb. CWP, 150lb. WSP
- Full port
- Forged brass body
- Blow-out proof stem
- Certified to NSF/ANSI 61-8
- ISO 9001:2008 manufacturer

Note: Product contains brass which does not meet federal and state requirements for drinking water.

WARNING: Cancer and Reproductive Harm - www.P65Warnings.ca.gov

Parts & Materials

No.	Part	Material
1	Nut	Forged Steel ASTM A283 (Zinc Plated)
2	Handle	Forged Steel ASTM A283 (Zinc Plated)
3	Packing Nut	Brass ASTM B-124, C37700
4	Stem Packing	PTFE
5	Stem	Brass ASTM B-124, C37700
6	Body	Forged Brass ASTM B-124, C37700
7	Ball Seat	PTFE
8	Ball	Chrome Plated, Brass ASTM B-124, C37700
9	Body End Cap	Forged Brass ASTM B-455, C38500



Dimensions

Size	Part Number	Weight	A	B	C	D	E
In		Lb	In	In	In	In	In
¼	01728145C	0.4	1.73	1.8	0.39	0.39	3.43
⅜	01728145E	0.3	1.73	1.8	0.39	0.45	3.43
½	01728145G	0.4	1.90	2.0	0.51	0.46	3.43
¾	01728145I	0.6	2.28	2.3	0.74	0.55	3.70
1	01728145K	0.9	2.64	2.6	0.91	0.63	4.60
1-¼	01728145L	1.3	3.11	2.8	1.25	0.70	4.60
1-½	01728145M	2.1	3.59	3.3	1.45	0.80	5.60
2	01728145N	3.1	4.15	3.6	1.94	0.83	5.60

Brass Ball Valve, Sweat Series 8146



Design Features

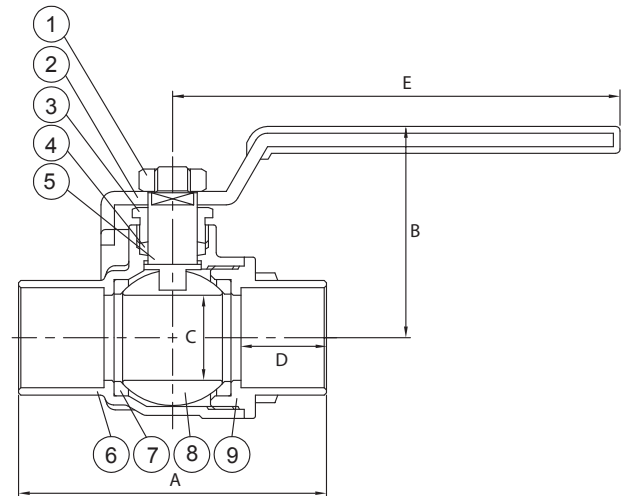
- 600 lb. CWP, 150lb. WSP
- Full port
- Forged brass body
- Blow-out proof stem
- Certified to NSF/ANSI 61-8
- ISO 9001:2008 manufacturer

Note: Product contains brass which does not meet federal and state requirements for drinking water.

WARNING: Cancer and Reproductive Harm -
www.P65Warnings.ca.gov

Parts & Materials

No.	Part	Material
1	Nut	Forged Steel ASTM A283 (Zinc Plated)
2	Handle	Forged Steel ASTM A283 (Zinc Plated)
3	Packing Nut	Brass ASTM B-124, C37700
4	Stem Packing	PTFE
5	Stem	Brass ASTM B-124, C37700
6	Body	Forged Brass ASTM B-124, C37700
7	Ball Seat	PTFE
8	Ball	Chrome Plated, Brass ASTM B-124, C37700
9	Body End Cap	Forged Brass ASTM B-455, C38500



Dimensions

Size	Part Number	Weight	A	B	C	D	E
In		Lb	In	In	In	In	In
½	01728146G	0.4	2.13	1.60	0.51	0.50	3.43
¾	01728146I	0.6	2.78	1.70	0.74	0.75	3.70
1	01728146K	0.9	3.43	2.40	0.91	0.87	4.60
1-¼	01728146L	1.3	3.84	2.50	1.25	0.97	4.60
1-½	01728146M	2.1	4.27	2.80	1.45	1.10	5.60
2	01728146N	3.1	5.10	3.00	1.94	1.34	5.60

About ASC Engineered Solutions

ASC Engineered Solutions is defined by quality—in its products, services and support. With more than 1,400 employees, the company's portfolio of precision-engineered piping support, valves and connections provides products to more than 4,000 customers across industries, such as mechanical, industrial, fire protection, oil and gas, and commercial and residential construction. Its portfolio of leading brands includes ABZ Valve®, AFCON®, Anvil®, Anvil EPS, Anvil Services, Basic-PSA, Beck®, Catawissa, Cooplet®, FlexHead®, FPPI®, Golvlok®, J.B. Smith, Merit®, North Alabama Pipe, Quadrant®, SCI®, Sharpe®, SlideLOK®, SPF® and SprinkFLEX®. With headquarters in Commerce, CA, and Exeter, NH, ASC also has ISO 9001:2015 certified production facilities in PA, TN, IL, TX, AL, LA, KS, and RI.



asc-es.com

Building connections that last™

