

Building connections that last™



# Series 8145L & Series 8146L

Lead-Free Brass Ball Valves,  
Threaded & Sweat Datasheet



# Lead-Free Brass Ball Valve, Threaded Series 8145L

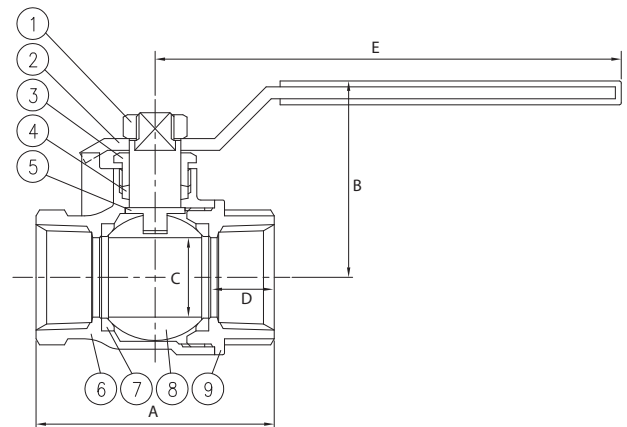


## Design Features

- Meets Federal Safe Water Drinking Water Act, lead-free requirement
- Certified to NSF/ANSI 372
- 600 lb. WOG, 150 lb. WSP
- Full port
- Lead-free forged brass body
- Blow-out proof stem
- ISO 9001:2008 manufacturer

## Parts & Materials

| No. | Part         | Material                                                               |
|-----|--------------|------------------------------------------------------------------------|
| 1   | Nut          | Forged Steel ASTM A283 (Zinc Plated)                                   |
| 2   | Handle       | Forged Steel ASTM A283 (Zinc Plated)                                   |
| 3   | Packing Nut  | Brass ASTM B-36, C28000                                                |
| 4   | Stem Packing | PTFE                                                                   |
| 5   | Stem         | Brass ASTM B-36, C28000                                                |
| 6   | Body         | Brass ASTM B-36, C28000                                                |
| 7   | Ball Seat    | PTFE                                                                   |
| 8   | Ball         | Chrome Plated, Brass ASTM B-36, C28000 (1/4" - 1") 304 Stainless Steel |
| 9   | Body End Cap | Brass ASTM B-36, C28000                                                |

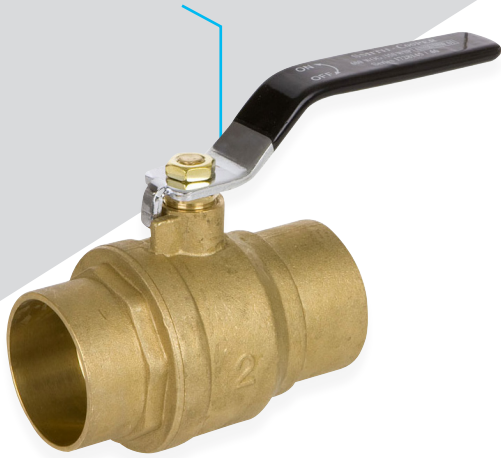


## Dimensions

| Size  | Part Number | Weight | A    | B   | C    | D    | E    |
|-------|-------------|--------|------|-----|------|------|------|
| In    |             | Lb     | In   | In  | In   | In   | In   |
| 1/4   | 01728145CL  | 0.4    | 1.73 | 1.8 | 0.39 | 0.39 | 3.43 |
| 3/8   | 01728145EL  | 0.3    | 1.73 | 1.8 | 0.39 | 0.45 | 3.43 |
| 1/2   | 01728145GL  | 0.4    | 1.90 | 2.0 | 0.51 | 0.46 | 3.43 |
| 3/4   | 01728145IL  | 0.6    | 2.28 | 2.3 | 0.74 | 0.55 | 3.70 |
| 1     | 01728145KL  | 0.9    | 2.64 | 2.6 | 0.91 | 0.63 | 4.60 |
| 1-1/4 | 01728145LL  | 1.3    | 3.11 | 2.8 | 1.25 | 0.70 | 4.60 |
| 1-1/2 | 01728145ML  | 2.1    | 3.59 | 3.3 | 1.45 | 0.80 | 5.60 |
| 2     | 01728145NL  | 3.1    | 4.15 | 3.6 | 1.94 | 0.83 | 5.60 |

# Lead-Free Brass Ball Valve, Sweat

## Series 8146L

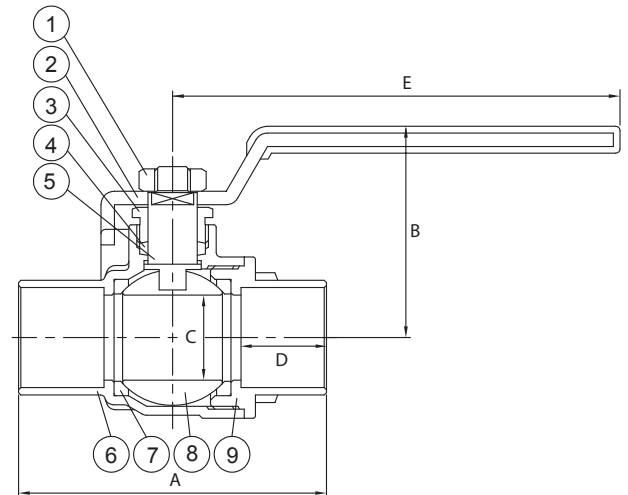


### Design Features

- Meets Federal Safe Water Drinking Water Act, lead-free requirement
- Certified to NSF/ANSI 372
- 600 lb. WOG, 150 lb. WSP
- Full port
- Lead-free forged brass body
- Blow-out proof stem
- ISO 9001:2008 manufacturer

### Parts & Materials

| No. | Part         | Material                                |
|-----|--------------|-----------------------------------------|
| 1   | Nut          | Forged Steel ASTM A283 (Zinc Plated)    |
| 2   | Handle       | Forged Steel ASTM A283 (Zinc Plated)    |
| 3   | Packing Nut  | Brass ASTM B-124, C37700                |
| 4   | Stem Packing | PTFE                                    |
| 5   | Stem         | Brass ASTM B-36, C28000                 |
| 6   | Body         | Brass ASTM B-36, C28000                 |
| 7   | Ball Seat    | PTFE                                    |
| 8   | Ball         | Chrome Plated, Brass ASTM B-124, C37700 |
| 9   | Body End Cap | Brass ASTM B-36, C28000                 |



### Dimensions

| Size | Part Number | Weight | A    | B    | C    | D    | E    |
|------|-------------|--------|------|------|------|------|------|
| In   |             | Lb     | In   | In   | In   | In   | In   |
| ½    | 01728146GL  | 0.4    | 2.13 | 1.60 | 0.51 | 0.50 | 3.43 |
| ¾    | 01728146IL  | 0.6    | 2.78 | 1.70 | 0.74 | 0.75 | 3.70 |
| 1    | 01728146KL  | 0.9    | 3.43 | 2.40 | 0.91 | 0.87 | 4.60 |
| 1-¼  | 01728146LL  | 1.3    | 3.84 | 2.50 | 1.25 | 0.97 | 4.60 |
| 1-½  | 01728146ML  | 2.1    | 4.27 | 2.80 | 1.45 | 1.10 | 5.60 |
| 2    | 01728146NL  | 3.1    | 5.10 | 3.00 | 1.94 | 1.34 | 5.60 |

### **About ASC Engineered Solutions**

ASC Engineered Solutions is defined by quality—in its products, services and support. With more than 1,400 employees, the company's portfolio of precision-engineered piping support, valves and connections provides products to more than 4,000 customers across industries, such as mechanical, industrial, fire protection, oil and gas, and commercial and residential construction. Its portfolio of leading brands includes ABZ Valve®, AFCON®, Anvil®, Anvil EPS, Anvil Services, Basic-PSA, Beck®, Catawissa, Cooplet®, FlexHead®, FPPI®, Gruklok®, J.B. Smith, Merit®, North Alabama Pipe, Quadrant®, SCI®, Sharpe®, SlideLOK®, SPF® and SprinkFLEX®. With headquarters in Commerce, CA, and Exeter, NH, ASC also has ISO 9001:2015 certified production facilities in PA, TN, IL, TX, AL, LA, KS, and RI.



[asc-es.com](http://asc-es.com)

Building connections that last™

