

Building connections that last™



Series 8155 & Series 8156

Brass Ball Valve, Threaded
& Sweat Datasheet



Brass Ball Valve, Threaded Series 8155



Design Features

- 600 lb. CWP, 150lb. WSP
- Full port
- Forged brass body
- Blow-out proof stem
- CSA approved under z21.15a for ½ psig (½" - 2")
- CSA approved under 3-88 for 5 psig (½" - 2")
- ISO 9001:2008 manufacturer

Note: Product contains brass which does not meet federal and state requirements for drinking water.

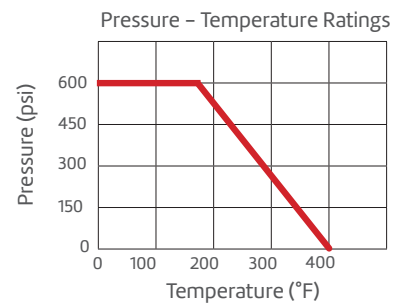
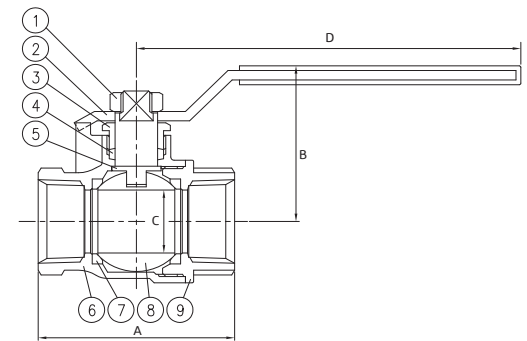
WARNING: Cancer and Reproductive Harm - www.P65Warnings.ca.gov

Parts & Materials

No.	Part	Material
1	Nut	Forged Steel ASTM A283 (Zinc Plated)
2	Handle	Forged Steel ASTM A283 (Zinc Plated)
3	Packing Nut	Brass
4	Stem Packing	PTFE
5	Stem	Brass
6	Body	Forged Brass (copper greater than 57%)
7	Ball Seat	PTFE
8	Ball	Chrome Plated Brass
9	Body End Cap	Forged Brass (copper greater than 57%)



Stainless Steel "T" Wing Handles (½" - 1") shipped separately



Dimensions

Size	Part Number	Weight	A	B	C	D
In		Lb	In	In	In	In
¼	01728155C	0.3	1.69	1.71	0.40	3.47
⅜	01728155E	0.3	1.69	1.71	0.40	3.47
½	01728155G	0.5	2.07	1.85	0.60	3.47
¾	01728155I	0.7	2.38	2.13	0.75	4.33
1	01728155K	1.0	2.90	2.29	1.00	4.33
1-¼	01728155L	1.7	3.27	2.80	1.26	5.51
1-½	01728155M	2.3	3.62	3.00	1.58	5.51
2	01728155N	3.5	4.41	3.27	1.97	5.51
2-½	01728155P	6.8	6.00	4.59	2.55	9.05
3	01728155Q	8.5	6.50	4.86	2.95	9.05
4	01728155T	16.0	7.75	5.67	3.90	10.00

Brass Ball Valve, Sweat Series 8156



Parts & Materials

No.	Part	Material
1	Nut	Forged Steel ASTM A283 (Zinc Plated)
2	Handle	Forged Steel ASTM A283 (Zinc Plated)
3	Packing Nut	Brass ASTM B-124, C37700
4	Stem Packing	PTFE
5	Stem	Brass
6	Body	Forged Brass (copper greater than 57%)
7	Ball Seat	PTFE
8	Ball	Chrome Plated Brass
9	Body End Cap	Forged Brass (copper greater than 57%)

Dimensions

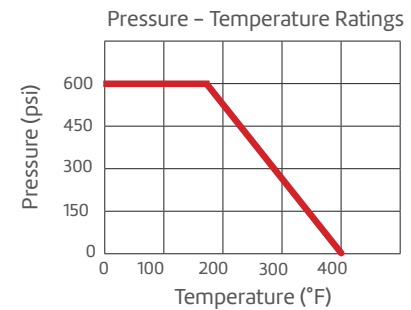
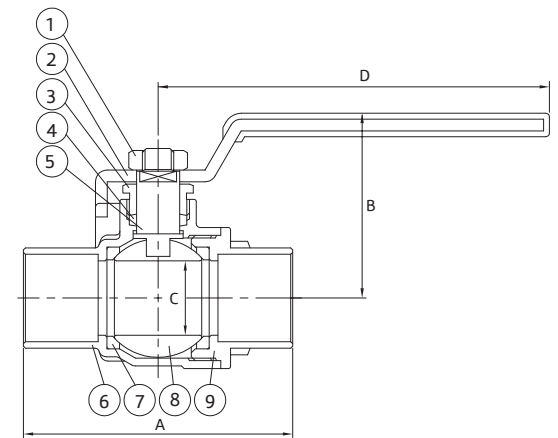
Size	Part Number	Weight	A	B	C	D
In		Lb	In	In	In	In
½	01728156G	0.5	2.24	1.85	0.60	3.47
¾	01728156I	0.7	2.82	2.13	0.75	4.33
1	01728156K	1.0	3.31	2.29	1.00	4.33
1-¼	01728156L	1.7	4.11	2.80	1.26	5.51
1-½	01728156M	2.3	4.45	3.00	1.58	5.51
2	01728156N	3.5	5.35	3.27	1.97	5.51
2-½	01728156P	6.4	6.34	4.00	2.55	8.00
3	01728156Q	8.4	7.15	4.90	2.95	9.75
4	01728156T	15.3	9.22	5.30	3.91	9.75

Design Features

- 600 lb. CWP, 150 lb. WSP
- Full port
- Forged brass body
- Blow-out proof stem
- ISO 9001:2008 manufacturer

Note: Product contains brass which does not meet federal and state requirements for drinking water.

WARNING: Cancer and Reproductive Harm - www.P65Warnings.ca.gov



About ASC Engineered Solutions

ASC Engineered Solutions is defined by quality—in its products, services and support. With more than 1,400 employees, the company's portfolio of precision-engineered piping support, valves and connections provides products to more than 4,000 customers across industries, such as mechanical, industrial, fire protection, oil and gas, and commercial and residential construction. Its portfolio of leading brands includes ABZ Valve®, AFCON®, Anvil®, Anvil EPS, Anvil Services, Basic-PSA, Beck®, Catawissa, Cooplet®, FlexHead®, FPPI®, Golvlok®, J.B. Smith, Merit®, North Alabama Pipe, Quadrant®, SCI®, Sharpe®, SlideLOK®, SPF® and SprinkFLEX®. With headquarters in Commerce, CA, and Exeter, NH, ASC also has ISO 9001:2015 certified production facilities in PA, TN, IL, TX, AL, LA, KS, and RI.



asc-es.com

Building connections that last™

