

Building connections that last™

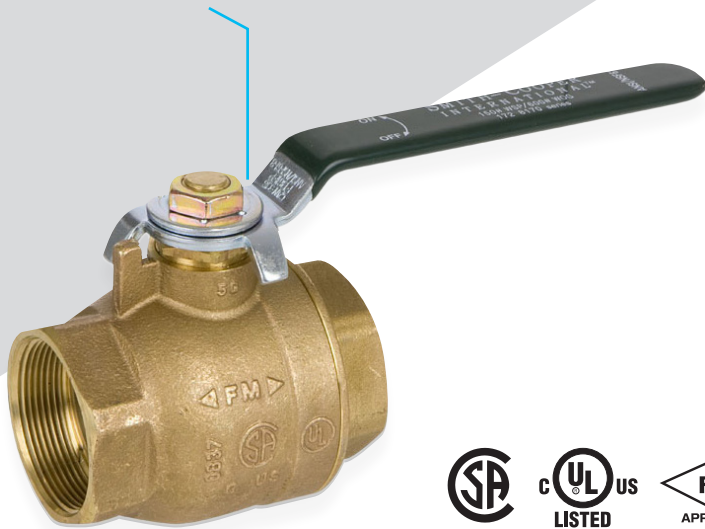


Series 8170L & Series 8171L

Lead-Free Brass Ball Valve,
Threaded & Sweat Datasheet



Lead-Free Brass Ball Valve, Threaded Series 8170L

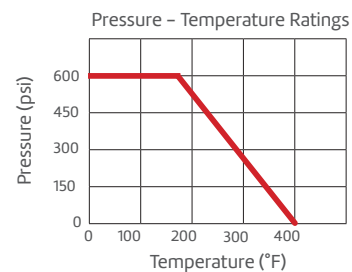
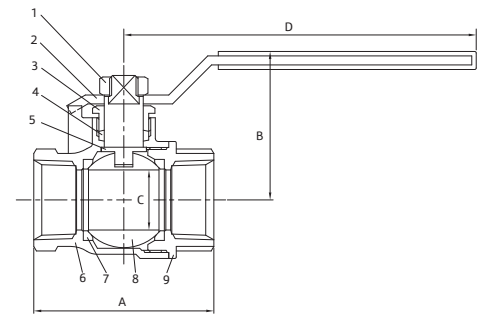


Design Features

- Meets Federal Safe Water Drinking Water Act, lead-free requirement
- Certified to NSF/ANSI 372
- 600 lb. CWP, 150 lb. WSP up to 2"
- 400 lb. CWP, 150 lb. WSP 2½" – 4"
- Full Port
- Lead-free forged brass body
- Blow-out proof stem
- Chrome plated ball
- UL listed (¼" – 2")
- FM approved (½" – 2-½")
- CSA approved under z21.15a for ½ psig (½" – 2")
- CSA approved under 3-88 for 5 psig (½" – 2")
- Approved under ANSI/ASME B16.33 spec for gas piping to 125 psig (½" – 2")
- Meets fed spec WW-V-35, Type II, Class A, Style 3 (½" – 2")
- Conforms to MSS-SP110
- ISO 9001:2008 manufacturer

Parts & Materials

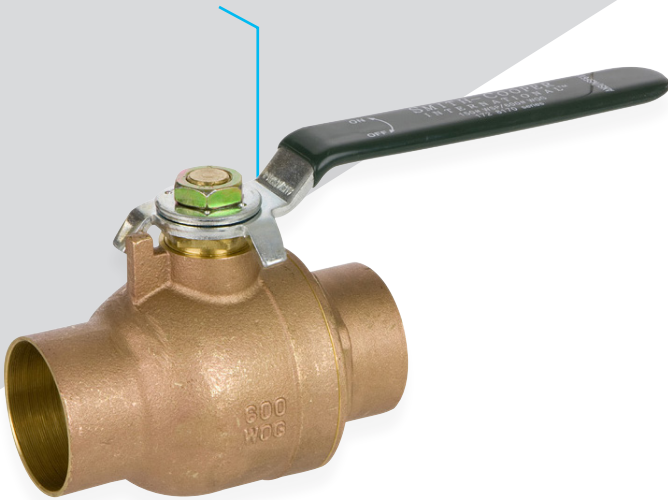
No.	Part	Material
1	Nut	Forged Steel ASTM - AISI-1010 (½" - 2") - ASTM A-283 (2-½" - 4")
2	Handle	Forged Steel ASTM-A-283-D
3	Packing Nut	Brass ASTM B-16, C36000 (½" - 2") - ASTM B-124, C37700 (2-½" - 4")
4	Stem Packing	PTFE
5	Stem	Brass ASTM B-36, C28000
6	Body	Forged Brass ASTM B-36, C28000
7	Ball Seat	PTFE
8	Ball	Chrome Plated, Brass ASTM B-36, C28000
9	Body End Cap	Forged Brass ASTM B-36, C28000



Dimensions

Size	Part Number	Weight	A	B	C	D	Cv
In		Lb	In	In	In	In	
½"	01728170AL	0.34	1.81	1.37	0.37	3.23	6.5
¾"	01728170CL	0.34	1.81	1.37	0.37	3.23	6.5
1"	01728170EL	0.34	1.81	1.37	0.37	3.23	6.5
1½"	01728170GL	0.42	2.12	1.45	0.50	3.23	10
2"	01728170IL	0.83	2.41	1.78	0.75	3.94	26
2½"	01728170KL	1.25	2.96	2.29	0.98	4.72	48
3"	01728170LL	2.05	3.28	2.44	1.24	4.72	70
3½"	01728170ML	2.80	3.62	3.0	1.50	7.09	105
4"	01728170NL	4.72	4.21	3.30	1.98	7.09	200
5"	01728170PL	7.89	5.15	3.85	2.48	7.87	380
6"	01728170QL	11.70	5.90	4.17	2.95	7.87	550
8"	01728170TL	16.0	7.38	6.00	3.85	10.5	1050

Lead-Free Brass Ball Valve, Sweat Series 8171L

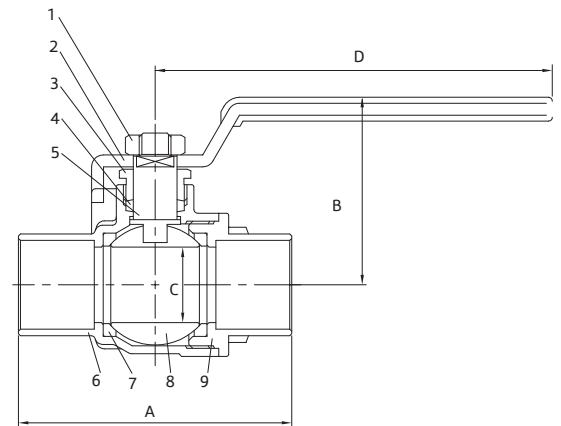


Design Features

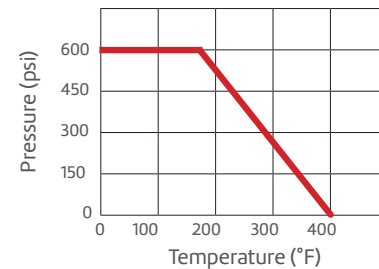
- Meets Federal Safe Water Drinking Water Act, lead-free requirement
- Certified to NSF/ANSI 372
- 600 lb. WOG, 150 lb. WSP
- Full port
- Lead-free forged brass body
- Blow-out proof stem
- Chrome plated ball
- Meets Fed Spec WW-V-35, Type II, Class A, Style 3 (½" – 2")
- Conforms to MSS-SP110
- ISO 9001:2008 manufacturer

Parts & Materials

No.	Part	Material
1	Nut	Forged Steel ASTM - AISI-1010
2	Handle	Forged Steel ASTM-A-283-D
3	Packing Nut	Brass ASTM B-16, C36000
4	Stem Packing	PTFE
5	Stem	Brass ASTM B-36, C28000
6	Body	Forged Brass ASTM B-124, C37700
7	Ball Seat	PTFE
8	Ball	Chrome Plated, Brass ASTM B-36, C28000
9	Body End Cap	Brass ASTM B-36, C28000



Pressure - Temperature Ratings



Dimensions

Size	Part Number	Weight	A	B	C	D	Cv
In		Lb	In	In	In	In	
½	01728171GL	0.37	1.94	1.45	0.50	3.23	10
¾	01728171IL	0.79	2.73	1.88	0.75	3.94	26
1	01728171KL	1.16	3.29	2.29	0.98	4.72	48
1-¼	01728171LL	1.88	3.74	2.44	1.24	4.75	70
1-½	01728171ML	2.57	4.30	3.0	1.50	7.09	105
2	01728171NL	4.53	5.31	3.30	1.98	7.09	200

About ASC Engineered Solutions

ASC Engineered Solutions is defined by quality—in its products, services and support. With more than 1,400 employees, the company's portfolio of precision-engineered piping support, valves and connections provides products to more than 4,000 customers across industries, such as mechanical, industrial, fire protection, oil and gas, and commercial and residential construction. Its portfolio of leading brands includes ABZ Valve®, AFCON®, Anvil®, Anvil EPS, Anvil Services, Basic-PSA, Beck®, Catawissa, Cooplet®, FlexHead®, FPPI®, Gruklok®, J.B. Smith, Merit®, North Alabama Pipe, Quadrant®, SCI®, Sharpe®, SlideLOK®, SPF® and SprinkFLEX®. With headquarters in Commerce, CA, and Exeter, NH, ASC also has ISO 9001:2015 certified production facilities in PA, TN, IL, TX, AL, LA, KS, and RI.



asc-es.com

Building connections that last™

