

Building connections that last™

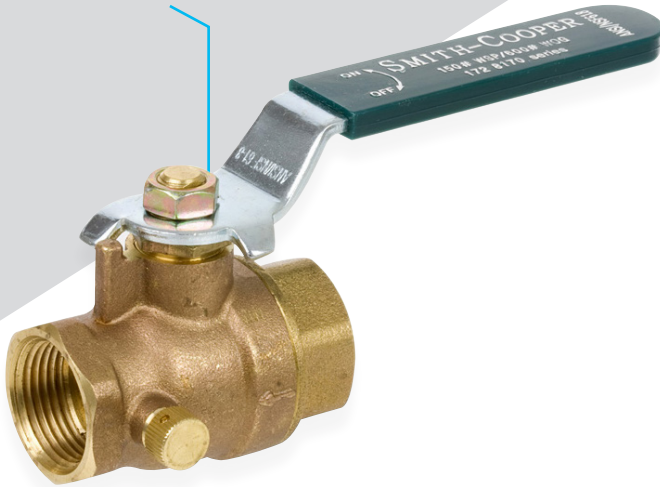


Series 8175L & Series 8176L

Brass Ball Valves with Drain,
Threaded & Sweat Datasheet



Lead-Free Brass Ball Valve with Drain, Threaded Series 8175L

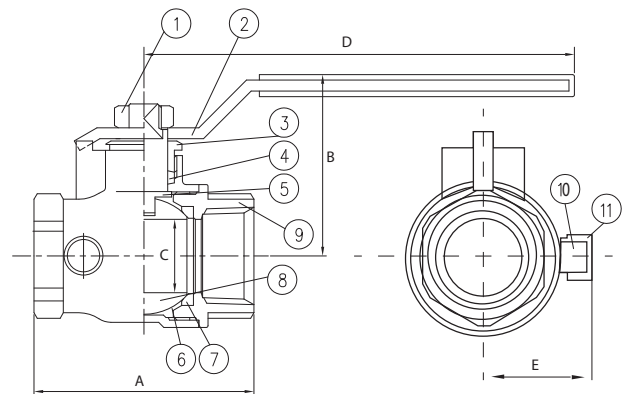


Design Features

- Meets federal Safe Water Drinking Water Act, lead-free requirement
- Certified to NSF/ANSI 372
- 600 lb. CWP
- Full port
- Forged brass body
- Blow-out proof stem
- Meets fed spec WW-V-35, Type II, Class A, Style 3
- Conforms to MSS-SP110
- ISO 9001:2008 manufacturer

Parts & Materials

No.	Part	Material
1	Nut	Forged Steel ASTM-AISI-1010
2	Handle	Forged Steel ASTM-A-283-D
3	Packing Nut	Brass ASTM B-16, C36000
4	Packing	PTFE
5	Stem	Brass ASTM B-36, C28000
6	Body	Brass ASTM B-36, C28000
7	Seat Rings (2)	PTFE
8	Ball	Brass ASTM B-36, C28000
9	Body End Cap	Forged Brass ASTM B-124, C37700
10	Drain Packing	NBR
11	Drain Nut	Brass ASTM B-36, C28000



Dimensions

Size	Part Number	Weight	A	B	C	D	E
In		Lb	In	In	In	In	In
½	01728175GL	0.5	2.01	1.54	0.50	3.31	0.91
¾	01728175IL	0.8	2.36	1.97	0.79	4.65	1.10
1	01728175KL	1.2	2.87	2.13	0.98	4.65	1.26

Brass Ball Valve with Drain, Sweat Series 8176L

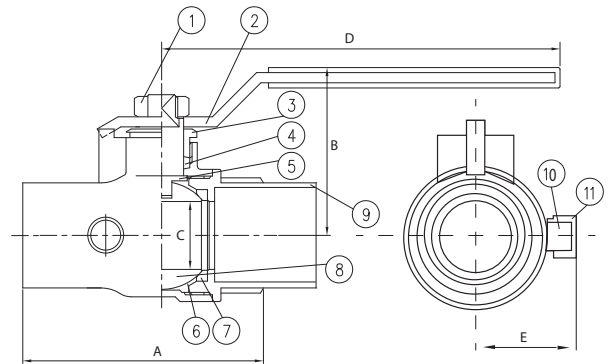


Design Feature

- Meets federal Safe Water Drinking Water Act, lead-free requirement
- Certified to NSF/ANSI 372
- 600 lb. WOG
- Full Port
- Blow-out proof stem
- Fed. Spec. WW-V-35, Type II, Class A Style 3
- MSS-SP-110
- ISO 9001:2008 manufacturer

Parts & Materials

No.	Part	Material
1	Nut	Forged Steel ASTM-AISI-1010
2	Handle	Forged Steel ASTM-A-283-D
3	Packing Nut	Brass ASTM B-16, C36000
4	Stem Packing	PTFE
5	Stem	Brass ASTM B-36, C28000
6	Body	Brass ASTM B-36, C28000
7	Ball Seat	PTFE
8	Ball	Brass ASTM B-36, C28000
9	Body End Cap	Forged Brass ASTM B-124, C37700
10	Drain Packing	NBR
11	Drain Nut	Brass ASTM B-36, C28000



Dimensions

Size	Part Number	Weight	A	B	C	D	E
In		Lb	In	In	In	In	In
½	01728176GL	0.5	1.93	1.54	0.50	3.31	0.91
¾	01728176IL	0.8	2.76	1.97	0.79	4.65	1.10
1	01728176KL	1.2	3.30	2.13	0.98	4.65	1.26

About ASC Engineered Solutions

ASC Engineered Solutions is defined by quality—in its products, services and support. With more than 1,400 employees, the company's portfolio of precision-engineered piping support, valves and connections provides products to more than 4,000 customers across industries, such as mechanical, industrial, fire protection, oil and gas, and commercial and residential construction. Its portfolio of leading brands includes ABZ Valve®, AFCON®, Anvil®, Anvil EPS, Anvil Services, Basic-PSA, Beck®, Catawissa, Cooplet®, FlexHead®, FPPI®, Gruklok®, J.B. Smith, Merit®, North Alabama Pipe, Quadrant®, SCI®, Sharpe®, SlideLOK®, SPF® and SprinkFLEX®. With headquarters in Commerce, CA, and Exeter, NH, ASC also has ISO 9001:2015 certified production facilities in PA, TN, IL, TX, AL, LA, KS, and RI.



asc-es.com

Building connections that last™

