

Building connections that last™



Series 8184

Brass Ball Valve,
Compression Datasheet



Brass Ball Valve, Compression Series 8184



Design Features

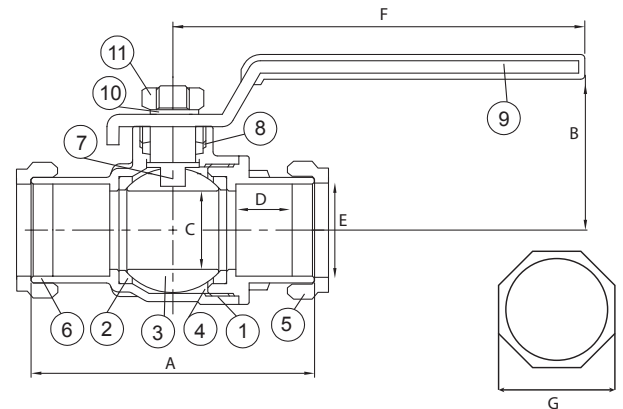
- 400 CWP, 150 WSP
- Standard port
- Forged brass body
- ISO 9001:2008 manufacturer

Note: Product contains brass which does not meet federal and state requirements for drinking water.

WARNING: Cancer and Reproductive Harm – www.P65Warnings.ca.gov

Parts & Materials

No.	Part	Material
1	Body	Chrome Plated Brass
2	Ball Seat	PTFE
3	Bonnet	Brass
4	Ball Seat	Brass
5	Compression	Brass
6	Sleeve	Brass
7	Stem	Brass
8	O-Ring	Brass
9	Handle	Steel
10	Washer	Brass
11	Nut	Steel



Dimensions

Size	Part Number	Weight	A	B	C	D	E	F	G
In		Lb	In	In	In	In	In	In	In
½	01728184G	0.5	2.87	1.54	0.35	0.51	0.63	3.19	0.93
¾	01728184I	0.8	3.31	1.69	0.57	0.71	0.88	3.19	1.24
1	01728184K	0.7	3.74	2.13	0.75	0.73	1.13	4.13	1.40

About ASC Engineered Solutions

ASC Engineered Solutions is defined by quality—in its products, services and support. With more than 1,400 employees, the company's portfolio of precision-engineered piping support, valves and connections provides products to more than 4,000 customers across industries, such as mechanical, industrial, fire protection, oil and gas, and commercial and residential construction. Its portfolio of leading brands includes ABZ Valve®, AFCON®, Anvil®, Anvil EPS, Anvil Services, Basic-PSA, Beck®, Catawissa, Cooplet®, FlexHead®, FPPI®, Gruvlok®, J.B. Smith, Merit®, North Alabama Pipe, Quadrant®, SCI®, Sharpe®, SlideLOK®, SPF® and SprinkFLEX®. With headquarters in Commerce, CA, and Exeter, NH, ASC also has ISO 9001:2015 certified production facilities in PA, TN, IL, TX, AL, LA, KS, and RI.



asc-es.com

Building connections that last™

