

Building connections that last™



# Series 9521 & Series 9522

PVC Ball Valve, Threaded & Slip Datasheet



# PVC Ball Valve, Threaded Series 9521

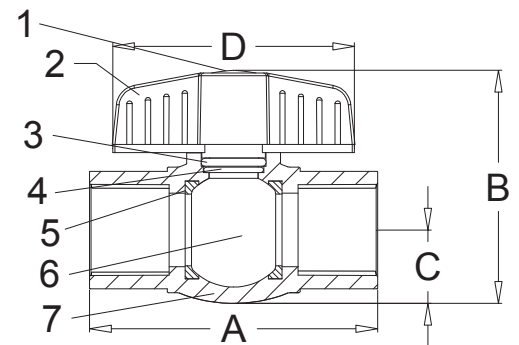


## Design Features

- NSF certified to NSF/ANSI 14
- NSF certified to NSF/ANSI 61 Annex G Lead-Free
- Schedule 40/80 PVC
- 150 psi @ 180°F
- Molded in place construction
- PTFE seat
- EPDM O-ring
- White with blue handle
- IPS
- Produced using virgin PVC resins

## Parts & Materials

No.	Part	Material
1	Cap	ABS
2	Handle	ABS
3	O-Ring	EPDM
4	O-Ring	EPDM
5	Seat	PTFE
6	Ball	PVC & ABS
7	Body	PVC



## Dimensions

Size	Part Number	Weight	A	B	C	D
In		Lb	In	In	In	In
½	02939521G	0.2	3.16	2.46	0.71	2.74
¾	02939521I	0.3	3.61	2.98	0.87	3.01
1	02939521K	0.6	4.19	3.39	1.06	3.53
1-¼	02939521L	0.7	4.76	3.80	1.21	3.54
1-½	02939521M	1.0	5.13	4.32	1.46	4.42
2	02939521N	1.5	5.93	5.36	1.83	5.53

# PVC Ball Valve, Slip Series 9522

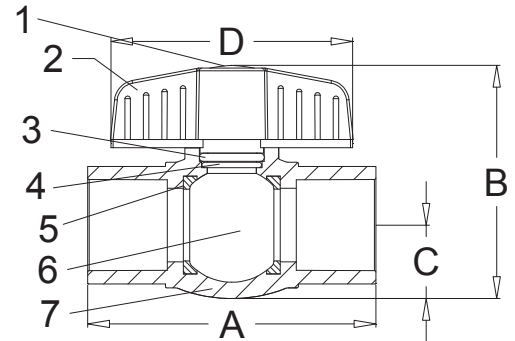


### Design Features

- NSF certified to NSF/ANSI 14
- NSF certified to NSF/ANSI 61 Annex G Lead-Free
- Schedule 40/80 PVC
- 150 psi @ 73°F
- Molded in place construction
- PTFE seat
- EPDM O-ring
- White with blue handle
- IPS
- Produced using virgin PVC resins

### Parts & Materials

No.	Part	Material
1	Cap	ABS
2	Handle	ABS
3	O-Ring	EPDM
4	O-Ring	EPDM
5	Seat	PTFE
6	Ball	PVC & ABS
7	Body	PVC



### Dimensions

Size	Part Number	Weight	A	B	C	D
In		Lb	In	In	In	In
½	02939522G	0.2	3.16	2.46	0.71	2.74
¾	02939522I	0.3	3.61	2.98	0.87	3.01
1	02939522K	0.6	4.19	3.39	1.06	3.53
1-¼	02939522L	0.7	4.76	3.80	1.21	3.54
1-½	02939522M	1.0	5.13	4.32	1.46	4.42
2	02939522N	1.5	5.93	5.36	1.83	5.53

### **About ASC Engineered Solutions**

ASC Engineered Solutions is defined by quality—in its products, services and support. With more than 1,400 employees, the company's portfolio of precision-engineered piping support, valves and connections provides products to more than 4,000 customers across industries, such as mechanical, industrial, fire protection, oil and gas, and commercial and residential construction. Its portfolio of leading brands includes ABZ Valve®, AFCON®, Anvil®, Anvil EPS, Anvil Services, Basic-PSA, Beck®, Catawissa, Cooplet®, FlexHead®, FPPI®, Gruklok®, J.B. Smith, Merit®, North Alabama Pipe, Quadrant®, SCI®, Sharpe®, SlideLOK®, SPF® and SprinkFLEX®. With headquarters in Commerce, CA, and Exeter, NH, ASC also has ISO 9001:2015 certified production facilities in PA, TN, IL, TX, AL, LA, KS, and RI.



[asc-es.com](http://asc-es.com)

Building connections that last™

