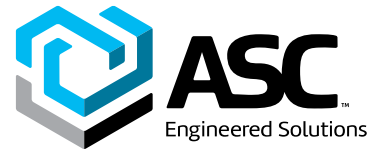


Building connections that last™



Sharpe® Series N66

Three-Piece Sanitary Ball
Valve Datasheet



Three-Piece Sanitary Ball Valve Sharpe® Series N66



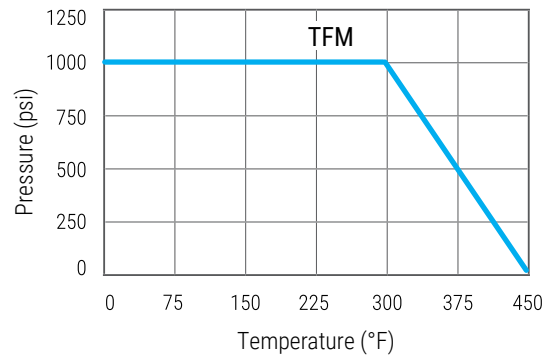
Design Features

- Tube Full Port
- 1000 CWP (½" – 2")
- 600 CWP (2-½" – 4")
- 316 stainless steel body
- Blow out proof stem
- Clamp, extended Butt-weld or short Butt-weld ends available
- Three-Piece design
- ISO 5211 mounting pad
- Lockable lever or oval handle

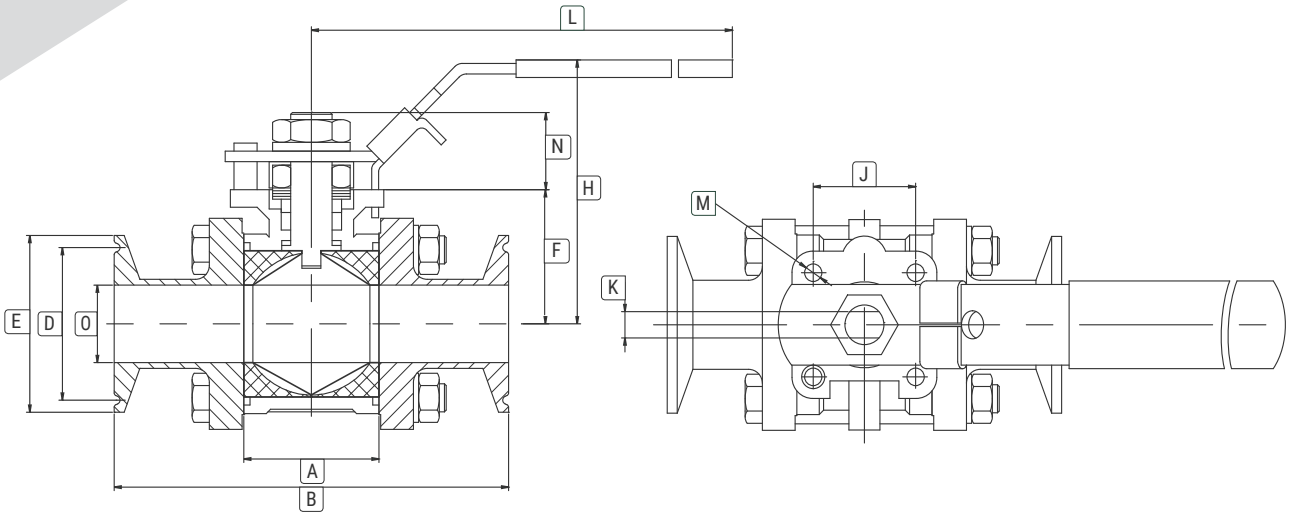
Technical Information

Size	C _v	Weight (lbs.)
½	15	1.2
¾	30	2.0
1	60	3.0
1-½	130	6.0
2	360	9.2
2-½	779	17.19
3	1123	29.0
4	2054	41.0

Pressure Temperature Ratings



Three-Piece Sanitary Ball Valve Sharpe® Series N66



Dimensions (Inches)

Size	A	B	D	E	F	H	J	K	L	M	N	O
½	0.96	3.5	0.79	0.98	1.14	2.44	1.42 (F03)	0.22	4.92	M5x.8	0.65	0.37
¾	1.05	4.00	0.79	0.98	1.20	2.50	1.42 (F03)	0.22	4.92	M5x.8	0.65	0.62
1	1.54	4.50	1.71	2.00	1.50	2.96	1.65 (F04)	0.30	5.71	M5x.8	0.84	0.87
1-½	2.13	5.50	1.71	2.00	1.91	3.64	1.97 (F05)	0.34	7.48	M6x1.0	1.17	1.37
2	2.65	6.25	2.22	2.52	2.24	4.05	1.97 (F05)	0.34	7.48	M6x1.0	1.19	1.87
2-½	3.20	6.50	2.78	3.05	3.32	5.87	2.76 (F07)	0.55	9.84	M8x1.25	1.47	2.37
3	3.97	10.50	3.28	3.57	3.78	6.37	2.76 (F07)	0.55	9.84	M8x1.25	1.47	2.87
4	4.74	12.50	4.35	4.68	4.58	7.36	4.01 (F10)	0.75	11.33	M10x1.5	1.66	3.83

Three-Piece Sanitary Ball Valve Sharpe® Series N66



How to order Series N66

1/2"	-	N66	-	6	-	6	-	M	-	T	-	CE
Size		Series		Body		Ends		Seat		Seal		Ends

Size	Series		Body		Ends		Options	
1/2	N66		6	316 Stainless Steel	CE	Clamp	X	Oxygen Clean*
3/4					BTE	Butt-weld tube, Extended (316L)	SF	Silicone Free*
1	Seal		Ball & Stem		BE	Butt-weld tube, Short (316L)	OH	Oval Handle
1-1/2	T	PTFE	6	316 Stainless Steel				
2								
3								
4								
			Seat					
			M	TFM®				
			C	PTFE Cavity Filled				

Example:

Fig: 1/2 - N66 - 6 - 6 - M - T - CE

Description: 1/2" - N66 - 316 Body - 316 Ball & Stem - TFM Seat - PTFE Seal - Clamp Ends

Note:

*POA

TFM is a registered trademark of Dyleon, LLC.

Due to continuous development of our product range, we reserve the right to change the dimensions and information for this product as required.

About ASC Engineered Solutions

ASC Engineered Solutions is defined by quality—in its products, services and support. With more than 1,400 employees, the company's portfolio of precision-engineered piping support, valves and connections provides products to more than 4,000 customers across industries, such as mechanical, industrial, fire protection, oil and gas, and commercial and residential construction. Its portfolio of leading brands includes ABZ Valve®, AFCON®, Anvil®, Anvil EPS, Anvil Services, Basic-PSA, Beck®, Catawissa, Cooplet®, FlexHead®, FPPI®, Golvlok®, J.B. Smith, Merit®, North Alabama Pipe, Quadrant®, SCI®, Sharpe®, SlideLOK®, SPF® and SprinkFLEX®. With headquarters in Commerce, CA, and Exeter, NH, ASC also has ISO 9001:2015 certified production facilities in PA, TN, IL, TX, AL, LA, KS, and RI.



asc-es.com

Building connections that last™

FC-DS-SERIES-N66-v01 20210916

