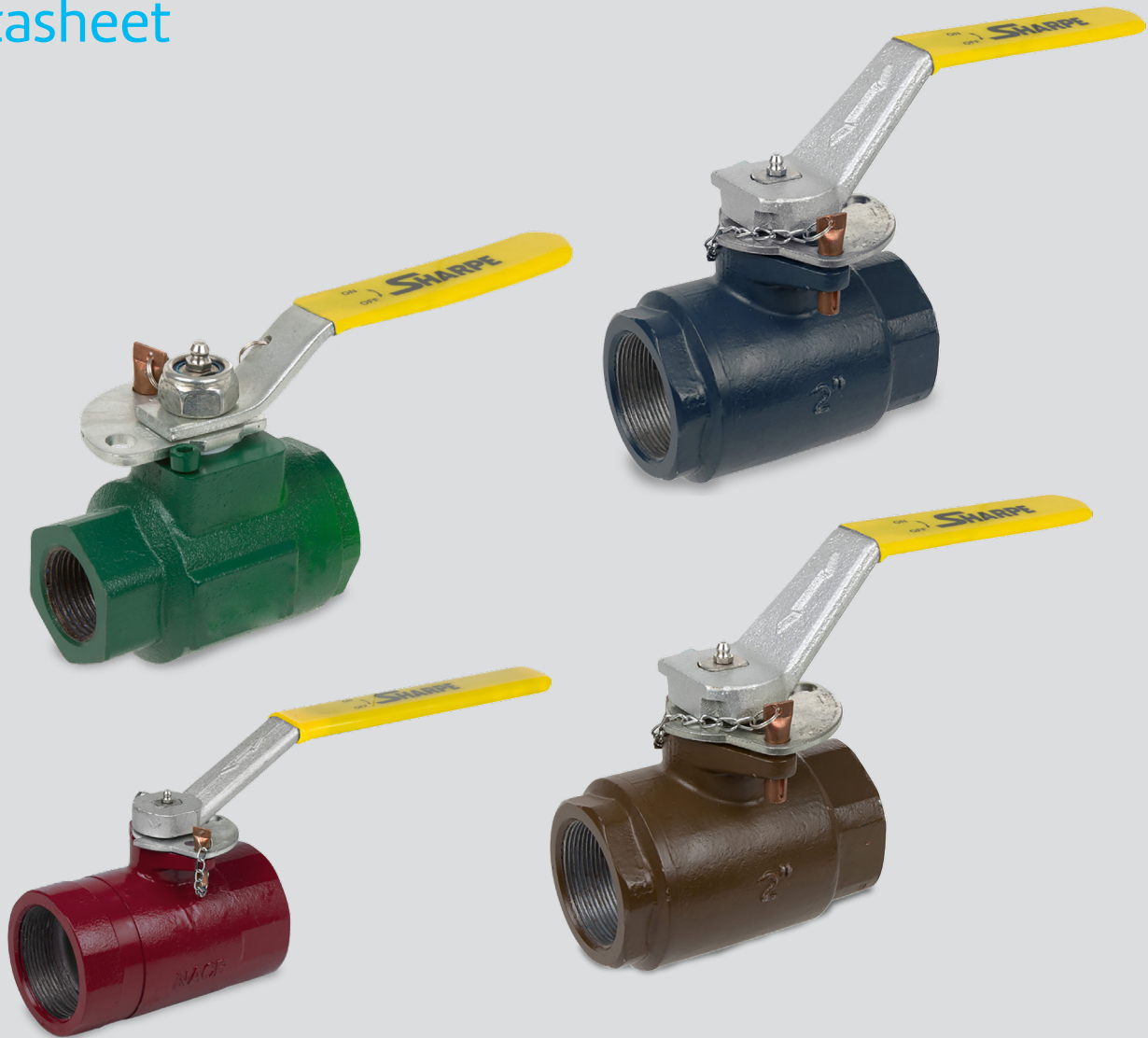


Building connections that last™



Sharpe® Series OP50

Oil Patch Ball Valves
Datasheet



Oil Patch Carbon
Steel Ball Valve
Sharpe® Series OP50

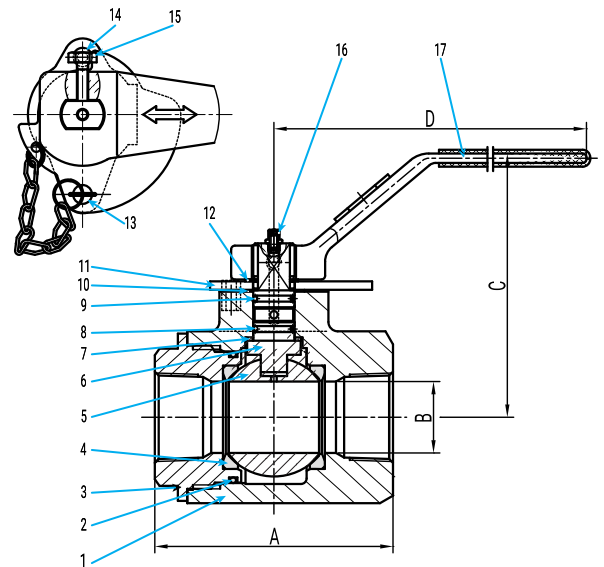


Fig. OP50CC6DV
Carbon Steel

Design Features

- Carbon Steel Body
- 3000 psi
- Full Port
- Two Piece
- Delrin Seats
- Nace MR-01-75-2009 Compliant
- Heavy Duty Locking Device
- Blow-out Proof Stem
- Double O-Ring Stem Seal
- Grease Fitting for Constant Lubrication and Protection Against Corrosion and Moisture

| No. | Part | Material |
|-----|----------------|--------------------------|
| 1 | Body | WCB |
| 2 | Body Seal | Viton |
| 3 | Bonnet | WCB |
| 4 | Seat | Delrin |
| 5 | Ball | AISI 420 Stainless Steel |
| 6 | Stem | AISI 420 Stainless Steel |
| 7 | Thrust Washer | PTFE |
| 8 | Stem Seal | Viton |
| 9 | Stem Seal | Viton |
| 10 | Stem Packing | PTFE |
| 11 | Locating Plate | Steel |
| 12 | Clip Spring | Spring Steel |
| 13 | Pin with Chain | Copper & Steel |
| 14 | Handle Screw | Steel |
| 15 | Stop Bolt | Steel |
| 16 | Grease Zerk | SS201 |
| 17 | Handle | Ductile Iron |



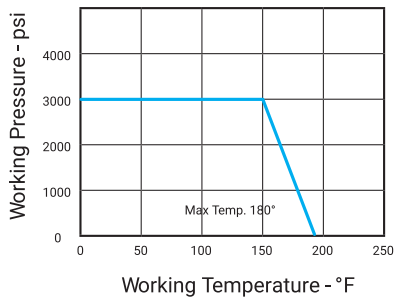
Oil Patch Carbon
Steel Ball Valve
Sharpe® Series OP50



| Size | Part Number | Weight | A | B | C | D |
|------|-----------------|--------|------|------|------|-------|
| In. | | Lb. | In. | In. | In. | In. |
| 1 | SVOP50CC6DV010 | 4.6 | 4.03 | 1.00 | 3.39 | 6.65 |
| 2 | SVOP50CC6DV020 | 18.7 | 6.00 | 2.00 | 5.51 | 10.00 |
| 3 | "SVOP50CC6DV030 | 54.6 | 8.72 | 3.00 | 7.39 | 20.00 |

Technical Information

Pressure Temperature Ratings



Oil Patch Carbon
Steel Ball Valve
Sharpe® Series OP50

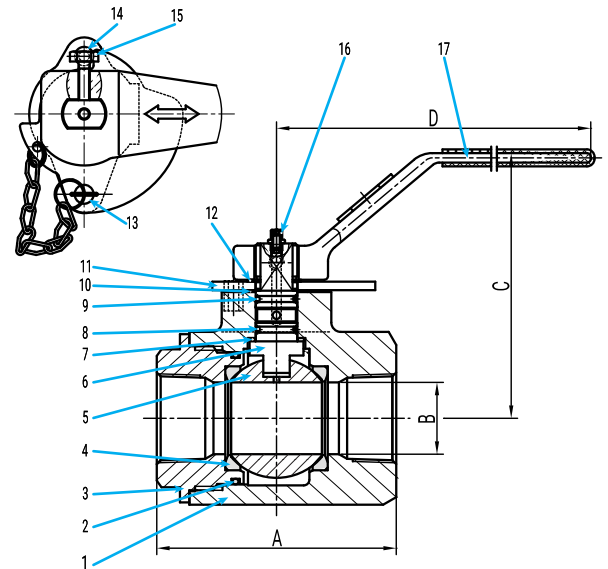


Fig. OP50CE6DV
Carbon Steel

Design Features

- Carbon Steel Body
- 5000 psi
- Full Port
- Two Piece
- Delrin Seats
- Nace MR-01-75-2009 Compliant
- Heavy Duty Locking Device
- Blow-out Proof Stem
- Double O-Ring Stem Seal
- Grease Fitting for Constant Lubrication and Protection Against Corrosion and Moisture

| No. | Part | Material |
|-----|----------------|--------------------------|
| 1 | Body | WCB |
| 2 | Body Seal | Viton |
| 3 | Bonnet | WCB |
| 4 | Seat | Delrin |
| 5 | Ball | AISI 420 Stainless Steel |
| 6 | Stem | AISI 420 Stainless Steel |
| 7 | Thrust Washer | PTFE |
| 8 | Stem Seal | Viton |
| 9 | Stem Seal | Viton |
| 10 | Stem Packing | PTFE |
| 11 | Locating Plate | Steel |
| 12 | Clip Spring | Spring Steel |
| 13 | Pin with Chain | Copper & Steel |
| 14 | Handle Screw | Steel |
| 15 | Stop Bolt | Steel |
| 16 | Grease Zerk | SS201 |
| 17 | Handle | Ductile Iron |



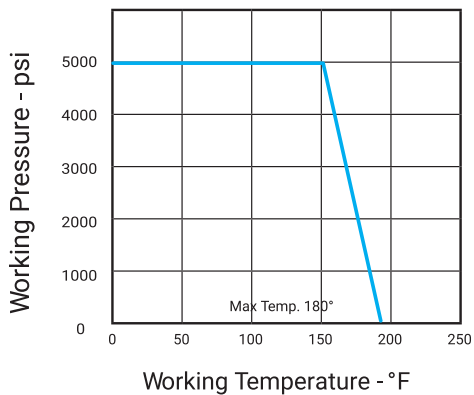
Oil Patch Carbon
Steel Ball Valve
Sharpe® Series OP50



| Size | Part Number | Weight | A | B | C | D |
|------|----------------|--------|------|------|------|------|
| In. | | Lb. | In. | In. | In. | In. |
| 1 | SVOP50CE6DV010 | 4.6 | 4.03 | 1.00 | 3.39 | 6.65 |

Technical Information

Pressure Temperature Ratings



Oil Patch Ductile
Iron Ball Valve
Sharpe® Series OP50

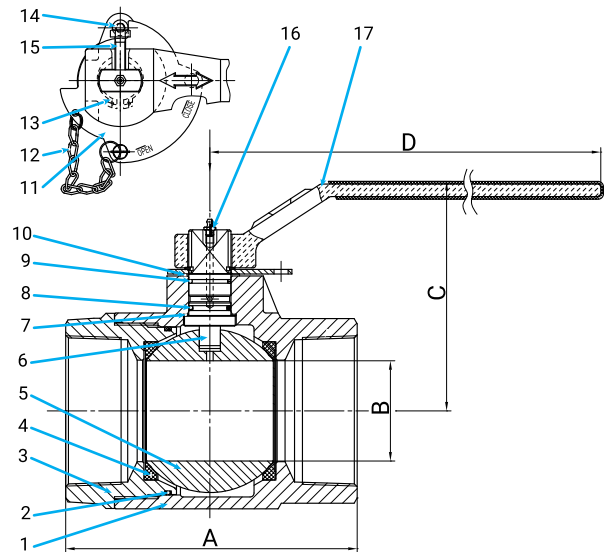


Fig. OP50DA6RV
Ductile Iron

Design Features

- Ductile Iron Body
- 1000 psi
- Full Port
- Two Piece
- RPTFE Seats
- Nace MR-01-75-2009 Compliant
- Heavy Duty Locking Device
- Blow-out Proof Stem
- Double O-Ring Stem Seal
- Grease Fitting for Constant Lubrication and Protection Against Corrosion and Moisture

| No. | Part | Material |
|-----|----------------|--------------------------|
| 1 | Body | Ductile Iron |
| 2 | Body Seal | Viton |
| 3 | Bonnet | Ductile Iron |
| 4 | Seat | RPTFE |
| 5 | Ball | AISI 420 Stainless Steel |
| 6 | Stem | AISI 420 Stainless Steel |
| 7 | Thrust Washer | PTFE |
| 8 | Stem Seal | Viton |
| 9 | Stem Seal | Viton |
| 10 | Stem Packing | PTFE |
| 11 | Locating Plate | Steel |
| 12 | Clip Spring | Spring Steel |
| 13 | Pin with Chain | Copper & Steel |
| 14 | Handle Screw | Steel |
| 15 | Stop Bolt | Steel |
| 16 | Grease Zerk | SS201 |
| 17 | Handle | Ductile Iron |

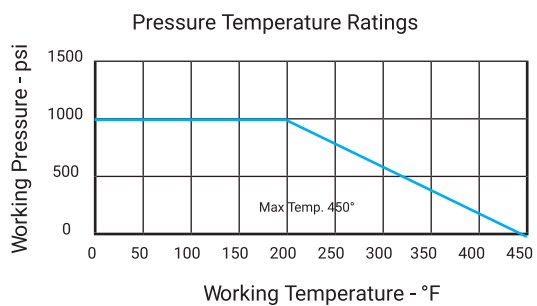


Oil Patch Ductile
Iron Ball Valve
Sharpe® Series OP50



| Size | Part Number | Weight | A | B | C | D |
|------|----------------|--------|------|------|------|-------|
| In. | | Lb. | In. | In. | In. | In. |
| 1 | SVOP50DA6RV010 | 4.3 | 4.02 | 1.00 | 3.39 | 6.65 |
| 2 | SVOP50DA6RV020 | 18.0 | 6.00 | 2.00 | 5.51 | 10.00 |
| 3 | SVOP50DA6RV030 | 42.3 | 8.74 | 3.00 | 6.87 | 15.00 |

Technical Information



Oil Patch Ductile
Iron Ball Valve
Sharpe® Series OP50

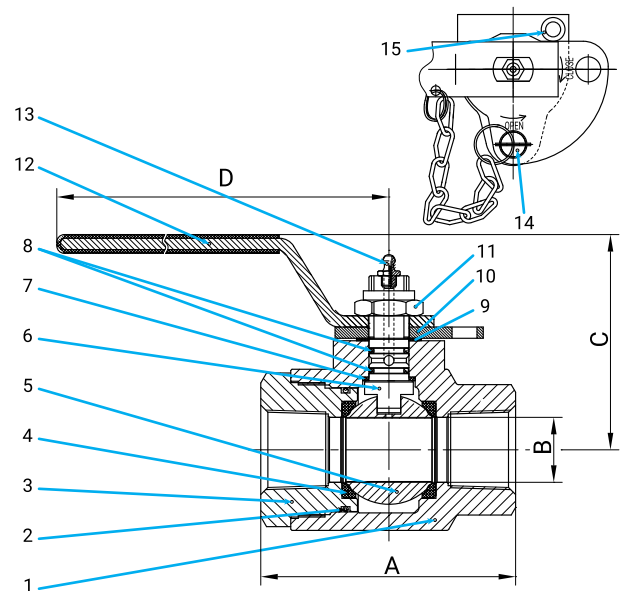


Fig. OP50DB6RV
Ductile Iron

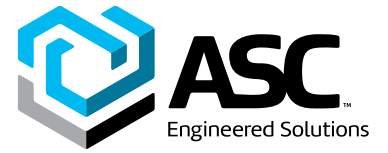
Design Features

- Ductile Iron Body
- 2000 psi
- Full Port
- RPTFE Seats
- Nace MR-01-75-2009 Compliant
- Heavy Duty Locking Device
- Blow-out Proof Stem
- Double O-Ring Stem Seal
- Grease Fitting for Constant Lubrication and Protection Against Corrosion and Moisture

| No. | Part | Material |
|-----|----------------|--------------------------|
| 1 | Body | Ductile Iron |
| 2 | Body Seal | Viton |
| 3 | Bonnet | Ductile Iron |
| 4 | Seat | RPTFE |
| 5 | Ball | AISI 420 Stainless Steel |
| 6 | Stem | AISI 420 Stainless Steel |
| 7 | Thrust Washer | PTFE |
| 8 | Stem Seal | Viton |
| 9 | Thrust Washer | PTFE |
| 10 | Locating Plate | Steel |
| 11 | Stem Nut | Steel |
| 12 | Handle | Carbon Steel |
| 13 | Grease Zerk | SS201 |
| 14 | Pin with Chain | Copper & Steel |
| 15 | Stop Bolt | Steel |

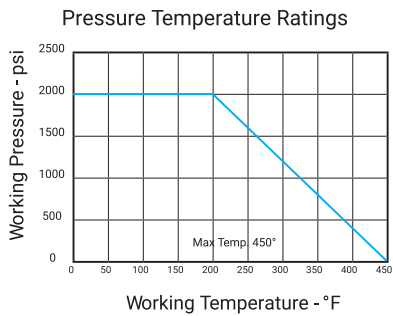


Oil Patch Ductile
Iron Ball Valve
Sharpe® Series OP50



| Size | Part Number | Weight | A | B | C | D |
|------|----------------|--------|------|------|------|-------|
| In. | | Lb. | In. | In. | In. | In. |
| ¾ | SVOP50DB6RV006 | 4.0 | 3.78 | 0.79 | 3.31 | 6.65 |
| 1 | SVOP50DB6RV010 | 4.3 | 4.00 | 1.00 | 3.39 | 6.65 |
| 1-½ | SVOP50DB6RV014 | 12.3 | 5.51 | 01.5 | 5.59 | 8.54 |
| 2 | SVOP50DB6RV020 | 18.0 | 6.02 | 2.00 | 5.86 | 10.00 |
| 2-½ | SVOP50DB6RV024 | 29.0 | 7.00 | 2.56 | 6.30 | 15.00 |
| 3 | SVOP50DB6RV030 | 42.3 | 8.74 | 3.00 | 6.22 | 15.00 |
| 4 | SVOP50DB6RV040 | 67.6 | 9.40 | 3.94 | 6.77 | 29.53 |

Technical Information



About ASC Engineered Solutions

ASC Engineered Solutions is defined by quality—in its products, services and support. With more than 1,400 employees, the company's portfolio of precision-engineered piping support, valves and connections provides products to more than 4,000 customers across industries, such as mechanical, industrial, fire protection, oil and gas, and commercial and residential construction. Its portfolio of leading brands includes ABZ Valve®, AFCON®, Anvil®, Anvil EPS, Anvil Services, Basic-PSA, Beck®, Catawissa, Cooplet®, FlexHead®, FPPI®, Gruklok®, J.B. Smith, Merit®, North Alabama Pipe, Quadrant®, SCI®, Sharpe®, SlideLOK®, SPF® and SprinkFLEX®. With headquarters in Commerce, CA, and Exeter, NH, ASC also has ISO 9001:2015 certified production facilities in PA, TN, IL, TX, AL, LA, KS, and RI.



asc-es.com

Building connections that last™

FC-DS-SERIES OP50-v01 20210917

