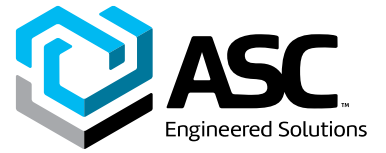
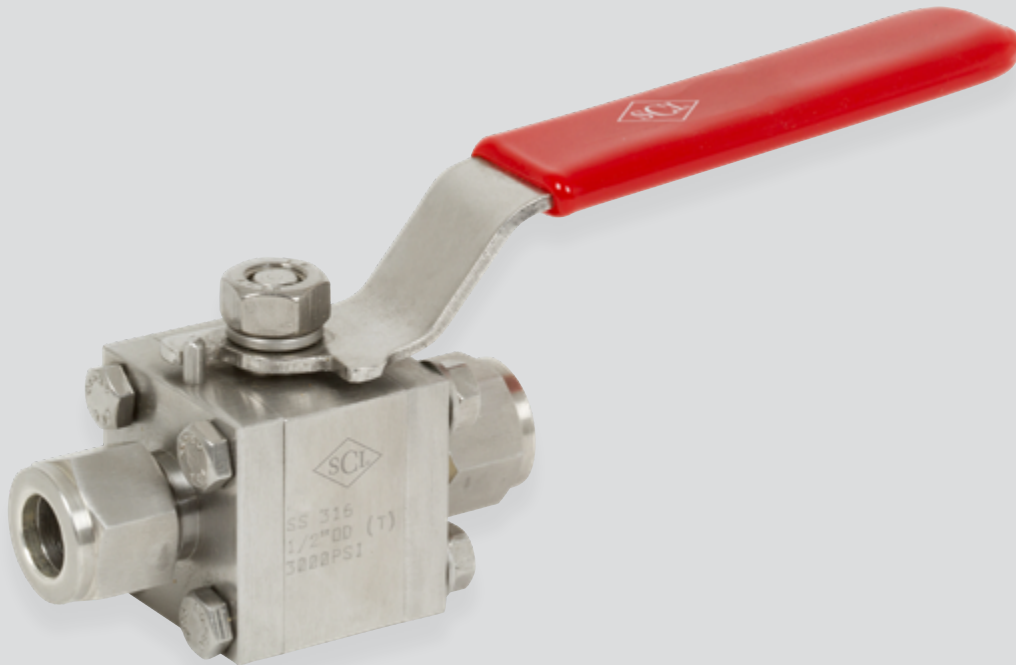


Building connections that last™

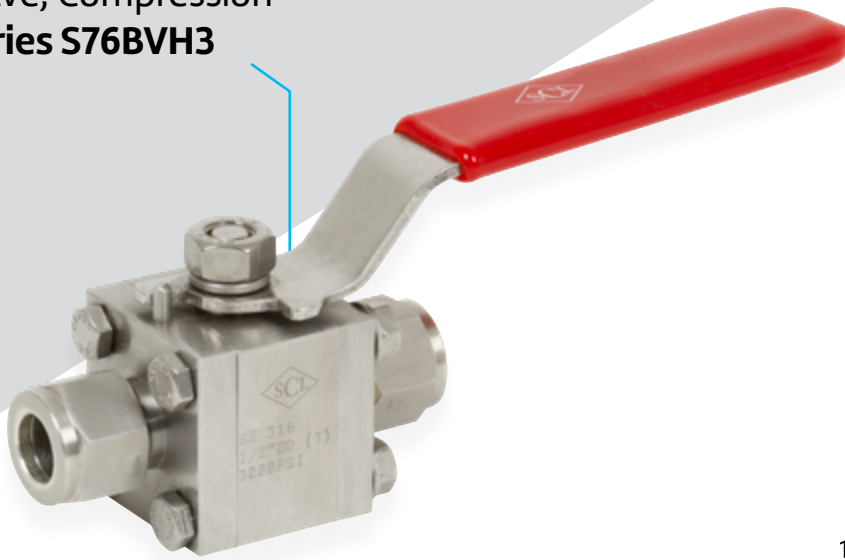


Series S76BVH3

3000 psi Stainless Ball Valve,
Compression Datasheet

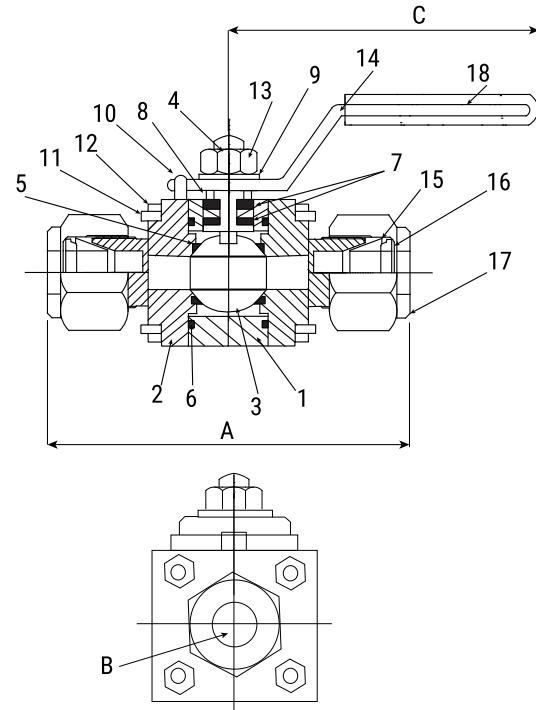


3000 psi Stainless Ball Valve, Compression Series S76BVH3



Design Features

- 3000 psi @ 200°F
- 316 stainless steel construction
- Double ferrule compression tube ends



Parts & Materials

No.	Part	Material
1	Body	316 Stainless Steel
2	Adapter	316 Stainless Steel
3	Ball	316 Stainless Steel
4	Stem	316 Stainless Steel
5	Seats	PTFE
6	Joint Seals	PTFE
7	Gland Seal	PTFE
8	Retainer	304 Stainless Steel
9	Washer	304 Stainless Steel
10	Stop Pin	304 Stainless Steel
11	Stud	304 Stainless Steel
12	Nut	304 Stainless Steel
13	Stem Nut	316 Stainless Steel
14	Handle	316 Stainless Steel
15	Front Ferrule	316 Stainless Steel
16	Back Ferrule	316 Stainless Steel
17	Nut	316 Stainless Steel
18	Sleeve	PVC

Dimensions

Size	Part Number	Weight	A	B	C
In.		Lb.	In.	In.	In.
¼	S76BVH3002	0.6	2.95	0.19	3.74
⅜	S76BVH3003	0.7	3.15	0.28	3.74
½	S76BVH3004	0.8	3.46	0.39	3.74
¾	S76BVH3006	1.6	3.86	0.47	5.31
1	S76BVH3010	2.5	4.65	0.75	5.91



asc-es.com

Building connections that last™

About ASC Engineered Solutions

ASC Engineered Solutions is defined by quality—in its products, services and support. With more than 1,400 employees, the company's portfolio of precision-engineered piping support, valves and connections provides products to more than 4,000 customers across industries, such as mechanical, industrial, fire protection, oil and gas, and commercial and residential construction. Its portfolio of leading brands includes ABZ Valve®, AFCON®, Anvil®, Anvil EPS, Anvil Services, Basic-PSA, Beck®, Catawissa, Cooplet®, FlexHead®, FPPI®, Gruklok®, J.B. Smith, Merit®, North Alabama Pipe, Quadrant®, SCI®, Sharpe®, SlideLOK®, SPF® and SprinkFLEX®. With headquarters in Commerce, CA, and Exeter, NH, ASC also has ISO 9001:2015 certified production facilities in PA, TN, IL, TX, AL, LA, KS, and RI.



asc-es.com

Building connections that last™

FC-DS-SERIES-S76BVH3-v01 20210927

