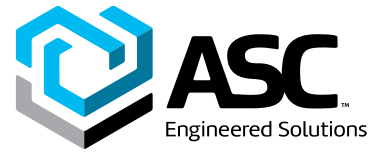
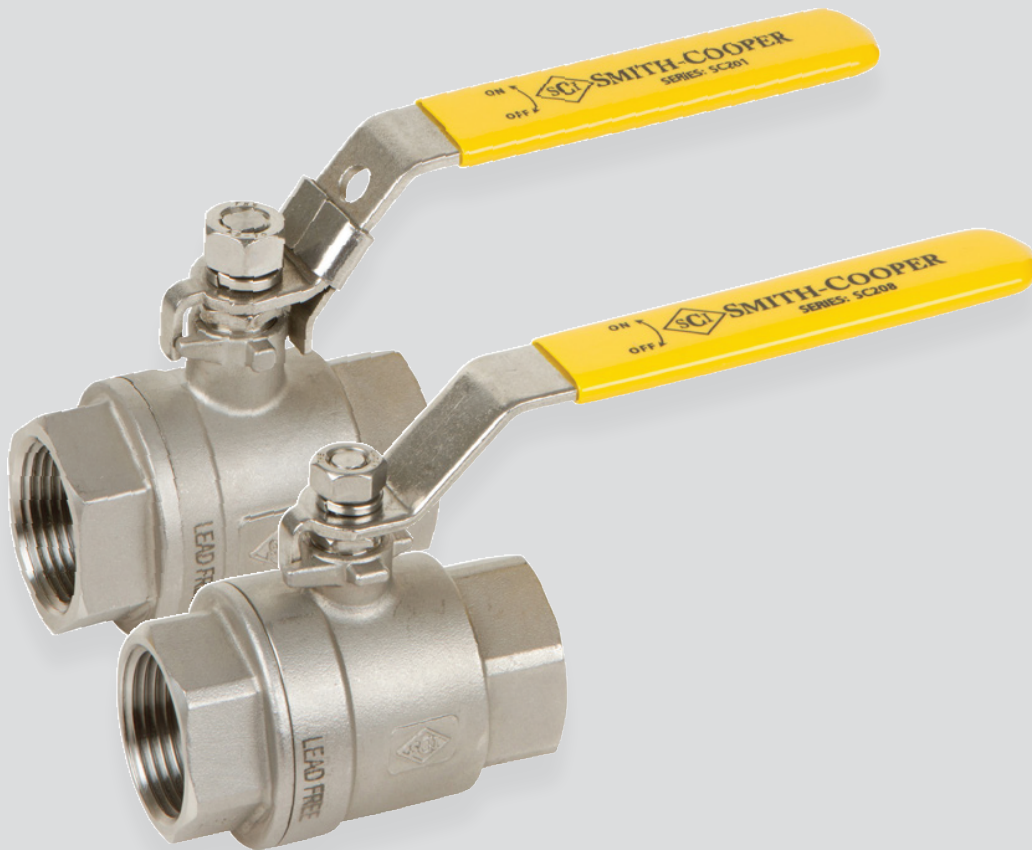


Building connections that last™

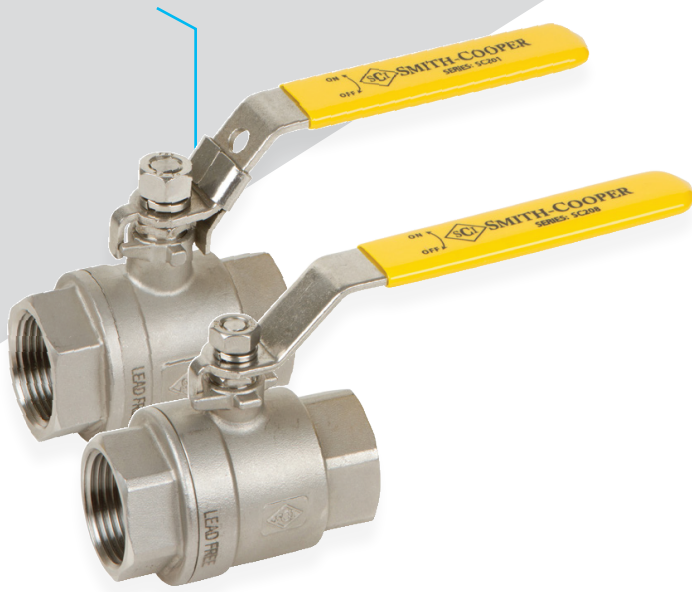


# Series SC208 & Series SCL208

Two-Piece 304 Stainless Ball  
Valve Datasheet



# Two-Piece 304 Stainless Ball Valve Series SC208 & Series SCL208

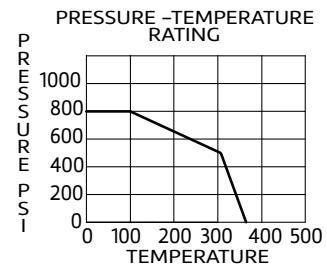
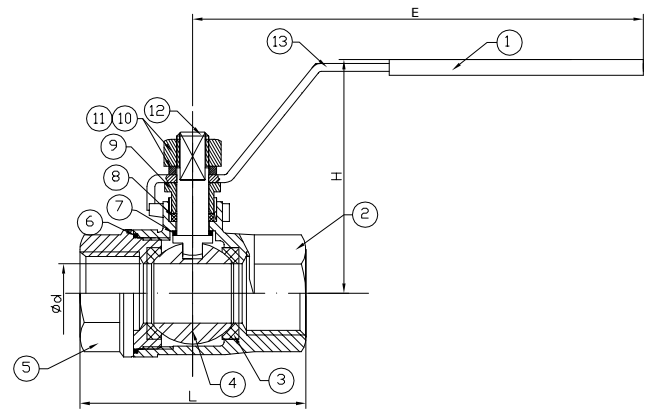


## Design Features

- 800# CWP, 150# WSP
- Full Port
- Body/Ball: ASTM A351 GR CF8 (SS304)
- Stem: ASTM A276 T-304
- RTFE Seats
- Pressure balancing hole in ball slot
- Blow-Out Proof Stem
- Vacuum Service to 29" Hg
- MSS SP-110
- ISO 9001:2015 Manufacturer
- Locking Handle (SCL208 only)
- Lead Free

## Parts & Materials

No.	Part	Material
1	Handle Sleeve	Plastic
2	Body	ASTM A351 GR CF8 (SS304)
3	Seat	RTFE
4	Ball	ASTM A351 GR CF8 (SS304)
5	End Cap	CF8 Stainless Steel (304)
6	Body Seal	PTFE
7	Thrust Washer	PTFE
8	Stem Packing	PTFE
9	Packing Nut	304 Stainless Steel
10	Handle Washer	304 Stainless Steel
11	Handle Nut	304 Stainless Steel
12	Stem	ASTM A276 T304
13	Handle	304 Stainless Steel



## Dimensions

Size	Part Number		Weight	Ød	L	H	E
	Threaded	w/ Locking Handle					
1/4	SC208C	SCL208C	0.36	0.46	1.91	1.89	3.74
3/8	SC208E	SCL208E	0.35	0.49	1.91	1.89	3.74
1/2	SC208G	SCL208G	0.52	0.59	2.22	2.07	3.94
3/4	SC208I	SCL208I	0.95	0.79	2.56	2.34	4.92
1	SC208K	SCL208K	1.21	0.98	3.03	2.54	5.71
1-1/4	SC208L	SCL208L	1.95	1.26	3.43	2.95	6.30
1-1/2	SC208M	SCL208M	2.74	1.50	3.86	3.15	7.09
2	SC208N	SCL208N	4.44	1.97	4.63	3.66	7.09

### **About ASC Engineered Solutions**

ASC Engineered Solutions is defined by quality—in its products, services and support. With more than 1,400 employees, the company's portfolio of precision-engineered piping support, valves and connections provides products to more than 4,000 customers across industries, such as mechanical, industrial, fire protection, oil and gas, and commercial and residential construction. Its portfolio of leading brands includes ABZ Valve®, AFCON®, Anvil®, Anvil EPS, Anvil Services, Basic-PSA, Beck®, Catawissa, Cooplet®, FlexHead®, FPPI®, Gruvlok®, J.B. Smith, Merit®, North Alabama Pipe, Quadrant®, SCI®, Sharpe®, SlideLOK®, SPF® and SprinkFLEX®. With headquarters in Commerce, CA, and Exeter, NH, ASC also has ISO 9001:2015 certified production facilities in PA, TN, IL, TX, AL, LA, KS, and RI.



[asc-es.com](http://asc-es.com)

Building connections that last™

