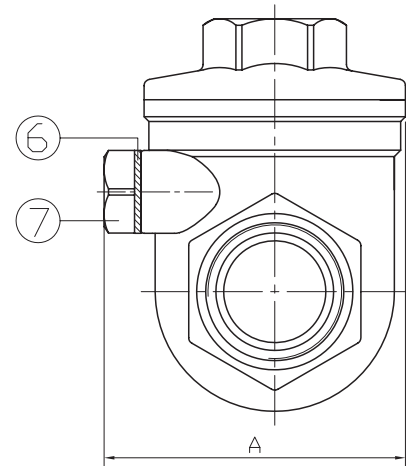
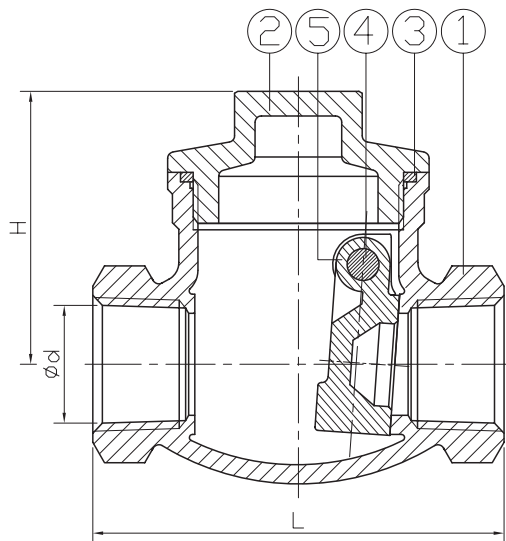


316 STAINLESS STEEL CHECK VALVE



- 200# CWP, 125# WSP
- 316 Stainless Steel
- Metal-to-Metal Seat
- Screwed Cap
- ISO 9001:2008 Manufacturer
- Lead Free



No.	Part	Material
1	Body	ASTM A351 CF8M
2	Cap	ASTM A351 CF8M
3	Gasket	PTFE
4	Plug	316 Stainless Steel
5	Disc	ASTM A351 CF8M
6	Gasket	PTFE
7	Bolt	304 Stainless Steel

Size IN	Part Number	Weight LB	d IN	L IN	H IN	A IN
1/2	SC602G	0.7	0.63	2.56	1.69	1.83
3/4	SC602I	1.0	0.79	3.15	2.01	2.03
1	SC602K	1.5	0.98	3.50	2.36	2.20
1-1/4	SC602L	2.2	1.26	4.13	2.60	2.52
1-1/2	SC602M	3.3	1.57	4.72	2.95	2.93
2	SC602N	4.7	1.97	5.47	3.15	3.31
2-1/2	SC602P	10.0	2.56	7.13	3.90	4.13
3	SC602Q	16.7	3.15	7.87	4.09	5.51

USA 800-766-0076

Fax 323-890-4456

www.smithcooper.com

Los Angeles, CA

Chicago, IL

Atlanta, GA

Vancouver, WA

Houston, TX