

Building connections that last™



Series 136 & Series 146

Brass Straight Stop with Drain Datasheet



Brass Straight Stop with Drain, Threaded

Series 136



Design Features

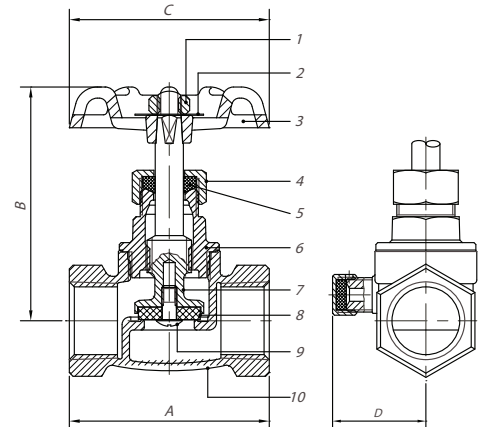
- 125 lb.CWP
- Cast brass
- CSA approved
- Certified to NSF/ANSI 61-8
- ISO 9001:2008 manufacturer

Note: Product contains brass which does not meet federal and state requirements for drinking water.

! WARNING: Cancer and Reproductive Harm – www.P65Warnings.ca.gov

Parts & Materials

No.	Part	Material
1	Wheel Nut	Hot Rolled SEA 1010R
2	Name Plate	Aluminium
3	Hand-Wheel	Cast Iron
4	Packing Nut	Brass B16 C36000
5	Gland Packing	PTFE
6	Bonnet	Brass B584 C85700
7	Stem	Brass B584 C85700
8	Seat	NBR
9	Seat Screw	Brass B-124, C37700
10	Body	Brass B584 C85700
11	Packing	NBR
12	Drain Cap	Brass B16 C36000



Dimensions

Size	Part Number	Weight	A	B	C	D
In		Lb	In	In	In	In
½	0190136G	0.6	2.11	2.52	2.09	0.95
¾	0190136I	0.6	2.13	2.52	2.09	0.95

Brass Straight Stop with Drain, Sweat Series 146



Design Features

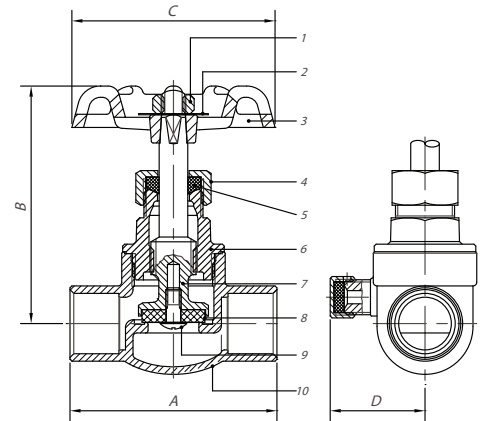
- 125 lb.CWP
- Cast brass
- CSA approved
- Certified to NSF/ANSI 61-8
- ISO 9001:2008 manufacturer

Note: Product contains brass which does not meet federal and state requirements for drinking water.

! WARNING: Cancer and Reproductive Harm – www.P65Warnings.ca.gov

Parts & Materials

No.	Part	Material
1	Wheel Nut	Hot Rolled SEA 1010R
2	Name Plate	Aluminium
3	Hand-Wheel	Cast Iron
4	Packing Nut	Brass B16 C36000
5	Gland Packing	PTFE
6	Bonnet	Brass B584 C85700
7	Stem	Brass B584 C85700
8	Seat	NBR
9	Seat Screw	Brass B-124, C37700
10	Body	Brass B584 C85700
11	Packing	NBR
12	Drain Cap	Brass B16 C36000



Dimensions

Size	Part Number	Weight	A	B	C	D
In		Lb	In	In	In	In
½	0190146G	0.6	2.13	2.52	2.09	0.95
¾	0190146I	0.6	2.68	2.52	2.09	0.99

About ASC Engineered Solutions

ASC Engineered Solutions is defined by quality—in its products, services and support. With more than 1,400 employees, the company's portfolio of precision-engineered piping support, valves and connections provides products to more than 4,000 customers across industries, such as mechanical, industrial, fire protection, oil and gas, and commercial and residential construction. Its portfolio of leading brands includes ABZ Valve®, AFCON®, Anvil®, Anvil EPS, Anvil Services, Basic-PSA, Beck®, Catawissa, Cooplet®, FlexHead®, FPPI®, Gruklok®, J.B. Smith, Merit®, North Alabama Pipe, Quadrant®, SCI®, Sharpe®, SlideLOK®, SPF® and SprinkFLEX®. With headquarters in Commerce, CA, and Exeter, NH, ASC also has ISO 9001:2015 certified production facilities in PA, TN, IL, TX, AL, LA, KS, and RI.



asc-es.com

Building connections that last™

FC-DS-SERIES-136-146-v01 20211215

