

Building connections that last™



Series 159, Series 160, Series 161, Series 162, & Series 163

Brass No Kink Hose Bibb Series Datasheet



Brass No Kink Hose
Bibb, Compression
Series 159

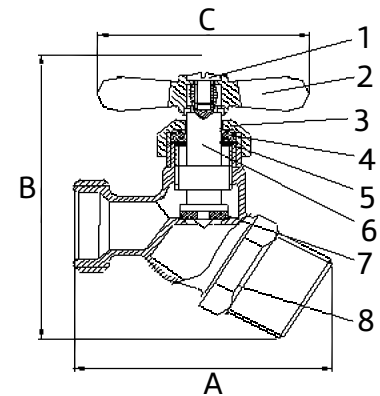


Design Features

- 125 lb. CWP
- Compression x 3/4" NHT
- Cast brass

Parts & Materials

No.	Part	Material
1	Screw	Brass ASTM B-134, C27000
2	Handle	Brass Plate Zinc
3	Packing Nut	Brass ASTM B-124, C37700
4	Packing Washer	Rubber (NBR)
5	Washer	Stainless Steel 304
6	Stem	Cast Brass ASTM B-584, C85700
7	Bibb Washer	Rubber (NBR)
8	Body	Cast Brass ASTM B-584, C85700



Dimensions

Size	Part Number	Weight	A	B	C
In		Lb	In	In	In
1/2	0190159G	0.41	2.99	3.30	2.09

Brass Hose Bibb, MIP Series 160

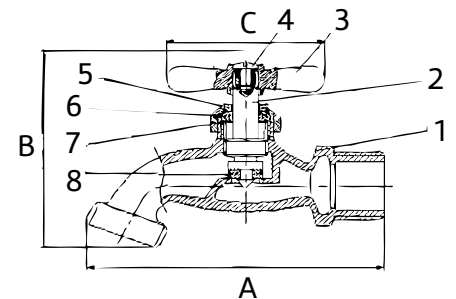


Design Features

- 125 lb. CWP
- NPT x 3/4" NHT
- Cast brass

Parts & Materials

No.	Part	Material
1	Body	Cast Brass ASTM B-584, C85700
2	Stem	Cast Brass ASTM B-584, C85700
3	Handle	Brass Plate Zinc
4	Screw	Brass ASTM B-134, C27000
5	Packing Nut	Brass ASTM B-124, C37700
6	Packing Washer	Rubber (NBR)
7	Washer	Stainless Steel 304
8	Bibb Washer	Rubber (NBR)
9	Fixing Screw	Alloy Steel
10	Disc	316 Stainless Steel



Dimensions

Size	Part Number	Weight	A	B	C
In		Lb	In	In	In
1/2	0190160G	0.36	3.74	2.76	2.09
3/4	0190160I	0.41	3.74	2.76	2.09

Brass No Kink Hose
Bibb, MIP
Series 161

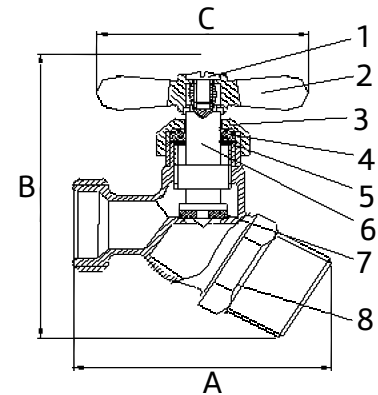


Design Features

- 125 lb. CWP
- NPT x 3/4" NHT
- Cast brass

Parts & Materials

No.	Part	Material
1	Screw	Brass ASTM B-134, C27000
2	Handle	Brass Plate Zinc
3	Packing Nut	Brass ASTM B-124, C37700
4	Packing Washer	Rubber (NBR)
5	Washer	Stainless Steel 304
6	Stem	Cast Brass ASTM B-584, C85700
7	Bibb Washer	Rubber (NBR)
8	Body	Cast Brass ASTM B-584, C85700



Dimensions

Size	Part Number	Weight	A	B	C
In		Lb	In	In	In
1/2	0190161G	0.32	2.40	3.05	2.09
3/4	0190161I	0.37	2.60	3.10	2.09

Brass No Kink Hose
Bibb, FIP

Series 162

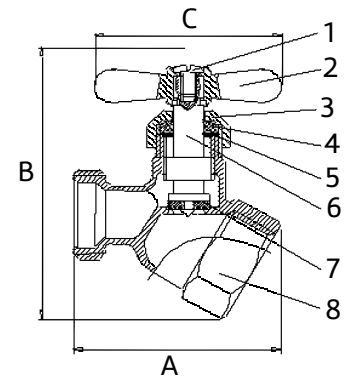


Design Features

- 125 lb. CWP
- NPT x 3/4" NHT
- Cast brass

Parts & Materials

No.	Part	Material
1	Screw	Brass ASTM B-134, C27000
2	Handle	Brass Plate Zinc
3	Packing Nut	Brass ASTM B-124, C37700
4	Packing Washer	Rubber (NBR)
5	Washer	Stainless Steel 304
6	Stem	Cast Brass ASTM B-584, C85700
7	Bibb Washer	Rubber (NBR)
8	Body	Cast Brass ASTM B-584, C85700



Dimensions

Size	Part Number	Weight	A	B	C
In		Lb	In	In	In
1/2	0190162G	0.33	2.20	3.07	2.09
3/4	0190162I	0.38	2.40	3.07	2.09

Brass No Kink Hose
Bibb, Sweat
Series 163

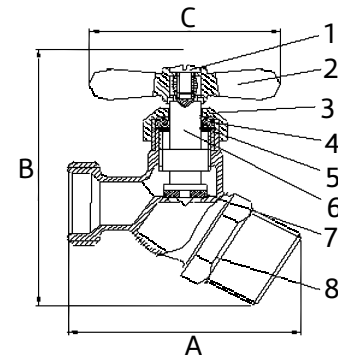


Design Features

- 125 lb. CWP
- NPT x 3/4" NHT
- Cast brass

Parts & Materials

No.	Part	Material
1	Screw	Brass ASTM B-134, C27000
2	Handle	Brass Plate Zinc
3	Packing Nut	Brass ASTM B-124, C37700
4	Packing Washer	Rubber (NBR)
5	Washer	Stainless Steel 304
6	Stem	Cast Brass ASTM B-584, C85700
7	Bibb Washer	Rubber (NBR)
8	Body	Cast Brass ASTM B-584, C85700



Dimensions

Size	Part Number	Weight	A	B	C
In		Lb	In	In	In
1/2 or 3/4	01901631G	0.5	2.57	3.28	2.09

About ASC Engineered Solutions

ASC Engineered Solutions is defined by quality—in its products, services and support. With more than 1,400 employees, the company's portfolio of precision-engineered piping support, valves and connections provides products to more than 4,000 customers across industries, such as mechanical, industrial, fire protection, oil and gas, and commercial and residential construction. Its portfolio of leading brands includes ABZ Valve®, AFCON®, Anvil®, Anvil EPS, Anvil Services, Basic-PSA, Beck®, Catawissa, Cooplet®, FlexHead®, FPPI®, Golvlok®, J.B. Smith, Merit®, North Alabama Pipe, Quadrant®, SCI®, Sharpe®, SlideLOK®, SPF® and SprinkFLEX®. With headquarters in Commerce, CA, and Exeter, NH, ASC also has ISO 9001:2015 certified production facilities in PA, TN, IL, TX, AL, LA, KS, and RI.



asc-es.com

Building connections that last™

FC-DS-SERIES-159-163-v01 20211203

