

Building connections that last™



# Series VB167L

Lead-Free, Hose End,  
Vacuum Breaker Datasheet



# Lead-Free, Hose End, Vacuum Breaker Series VB167L

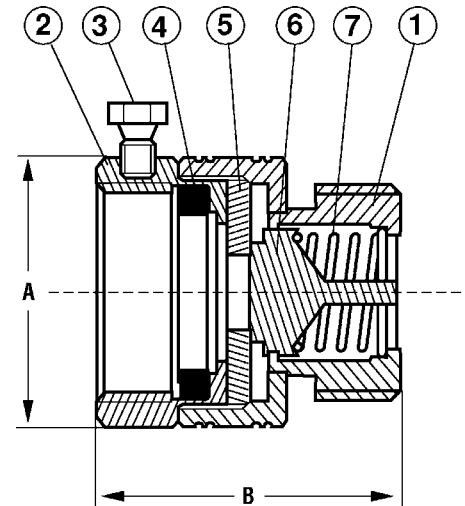


## Design Features

- Ideal for 3/4" hose bibbs, and connections where portable hoses are attached
- Prevents backsiphonage / reverse flow
- Meets federal Safe Drinking Water Act, lead free requirement
- California AB1953 lead-free approved
- 125 psi @ 180°F
- Break away screw hinders unauthorized removal
- Rough brass finish
- Stainless steel spring
- FHT x MHT (Female x Male Hose Thread)
- ASSE 1011 listed
- UPC/IAPMO listed
- Manufactured in compliance with ASSE 1011-95
- Check with local inspection authorities for installation requirements

## Parts & Materials

No.	Part	Material
1	3/4" MHT Cap	Brass ASTM B584, C89550
2	3/4" FHT Base	Brass ASTM B584, C89550
3	Securing Screw	Steel SAE 12L14
4	Flat Washer	Rubber NBR
5	Washer	Rubber NBR
6	Piston	Celcon M90
7	Spring	Stainless Steel, 304 SS



## Dimensions

Size In.	ASC Number	SCI Legacy Number	Weight Lb.	A In.	B (end-to-end) In.
3/4 FHT x 3/4 MHT	4347003540	0190167L	0.20	1.31	1.36

### Note:

Responsibility for proper selection, use and maintenance of any product remains solely with the purchaser and end user. We reserve the right to modify or improve the designs or specifications of any product at any time without notice.

### **About ASC Engineered Solutions**

ASC Engineered Solutions is defined by quality—in its products, services and support. With nearly 2,000 employees, the company's portfolio of precision-engineered piping support, valves and connections provides products to more than 4,000 customers across industries, such as mechanical, industrial, fire protection, oil and gas, and commercial and residential construction. Its portfolio of leading brands includes ABZ Valve®, AFCON®, Anvil®, Anvil EPS, Anvil Services, Basic-PSA, Beck®, Catawissa, Cooplet®, FlexHead®, FPPI®, Gruvlok®, J.B. Smith, Merit®, North Alabama Pipe, Quadrant®, SCI®, Sharpe®, SlideLOK®, SPF®, SprinkFLEX®, Trenton Pipe and VEP. With headquarters in Oak Brook, IL, ASC also has ISO 9001:2015 certified production facilities in PA, TN, IL, TX, AL, LA, KS, and RI.



[asc-es.com](http://asc-es.com)

Building connections that last™

