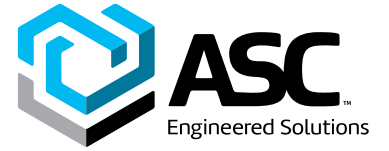


Building connections that last™



Sharpe® Series 40

Lug & Wafer Ball Valve Datasheet



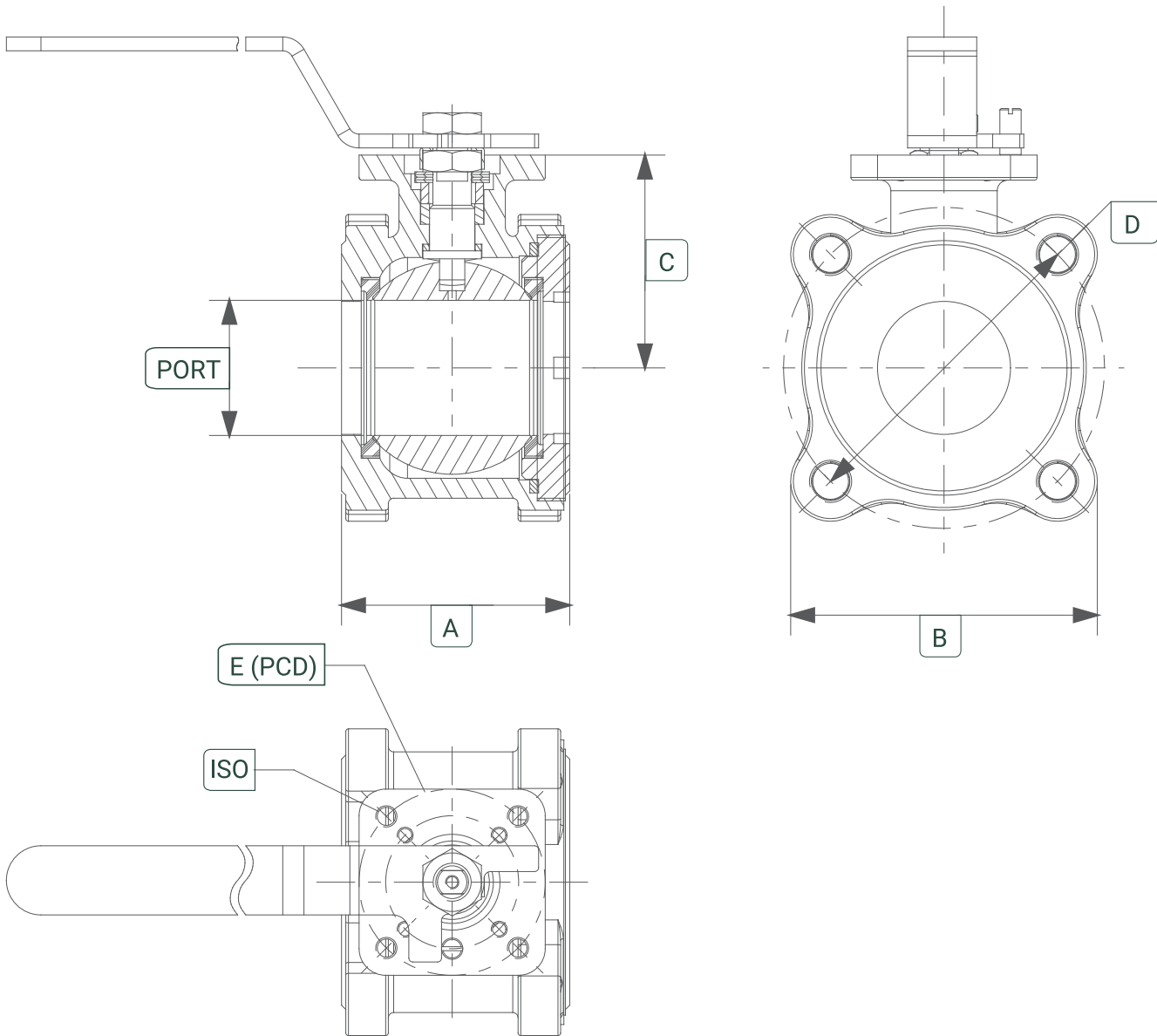
Lug & Wafer Ball Valve Sharpe® Series 40



Design Features

- Full port
- Uni-body design
- Compact weight and space saving design
- Blow-out proof stem
- Live loaded stem packing
- ISO 5211 mounting pad
- ANSI Class 150 ASME B16.5 Lug and wafer ends
- Wall thickness ASME B16.34
- NACE MR-0175

Lug & Wafer Ball Valve Sharpe® Series 40



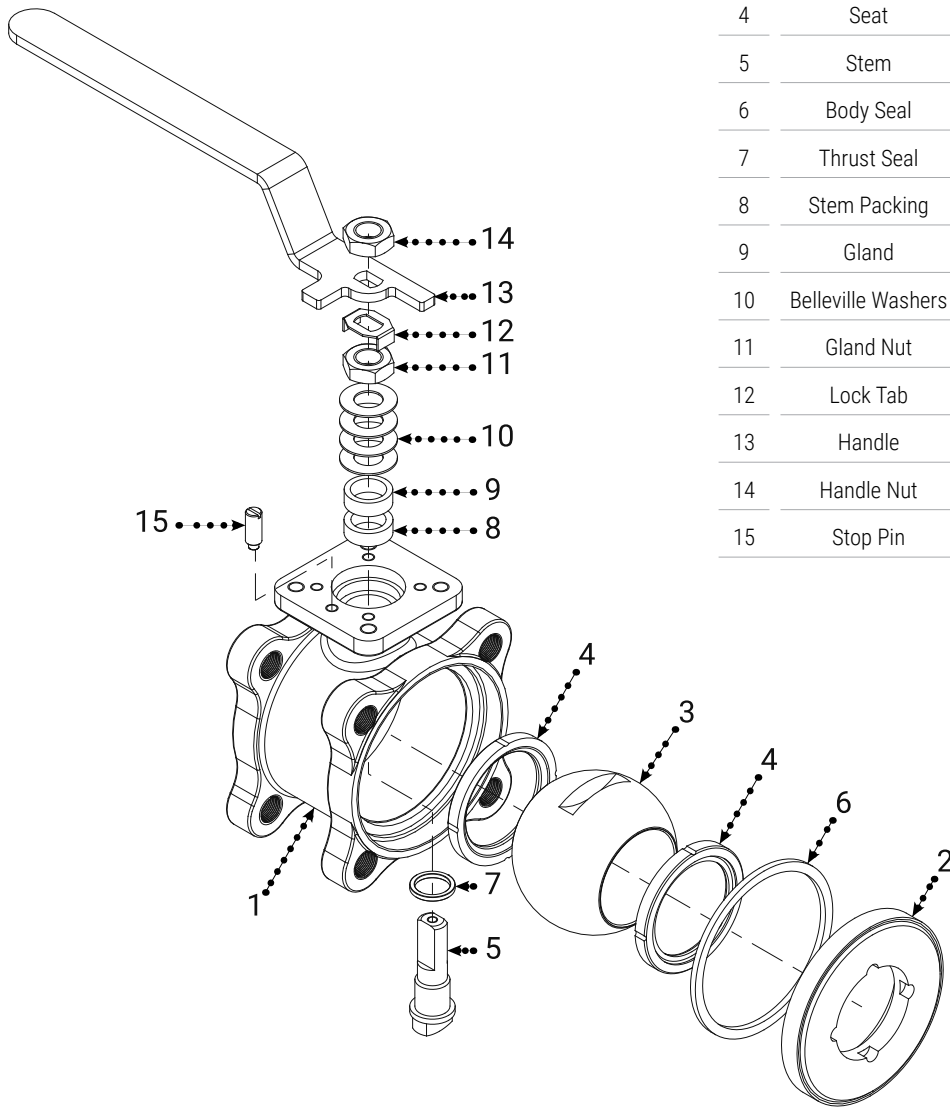
Dimensions (Inches)

| Size | A | B | C | D | E | Port | ISO |
|------|------|------|------|------|-------------|------|---------|
| 2 | 3.34 | 4.54 | 3.16 | 4.75 | 1.96 / 2.75 | 2.00 | F05/F07 |
| 3 | 4.93 | 5.39 | 4.20 | 6.00 | 4.02 | 3.00 | F10 |
| 4 | 6.13 | 8.03 | 4.76 | 7.48 | 4.02 | 4.00 | F10 |

Lug & Wafer Ball Valve Sharpe® Series 40

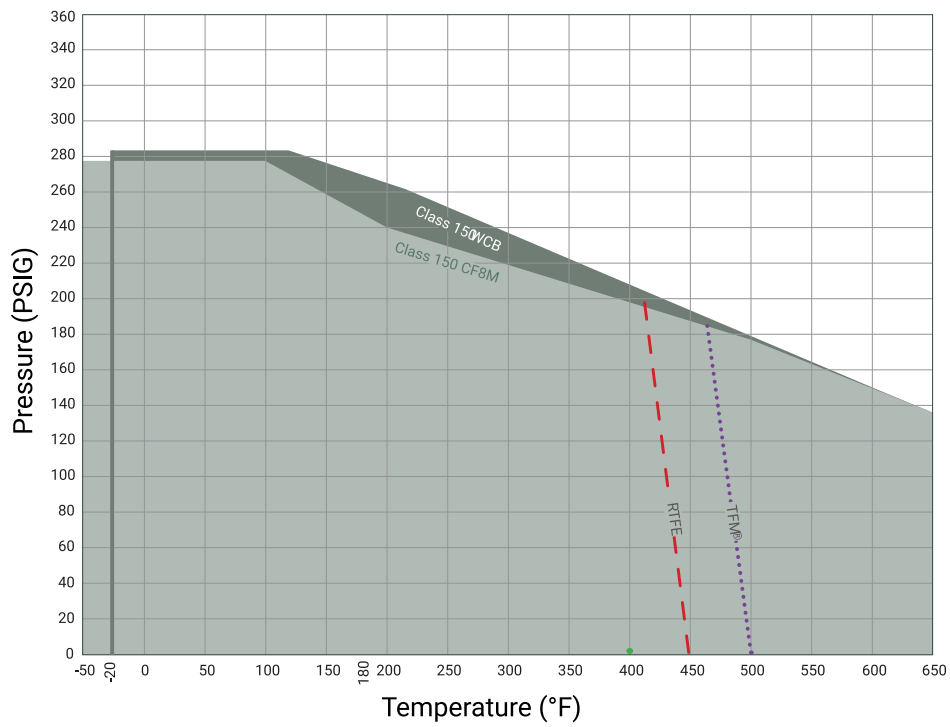
Parts & Materials

| No. | Part Name | Qty. | Material |
|-----|-------------------|------|-------------------------------------|
| 1 | Body | 1 | 316 Stainless Steel, ASTM A351 CF8M |
| 2 | End Cap | 1 | 316 Stainless Steel, ASTM A351 CF8M |
| 3 | Ball | 1 | 316 Stainless Steel, ASTM A351 CF8M |
| 4 | Seat | 2 | RTFE (15% Glass Filled)/TFM |
| 5 | Stem | 1 | 316 Stainless Steel |
| 6 | Body Seal | 1 | PTFE |
| 7 | Thrust Seal | 2 | PEEK / NOVA |
| 8 | Stem Packing | 3 | PTFE |
| 9 | Gland | 1 | 304 Stainless Steel |
| 10 | Belleisle Washers | 4 | 304 Stainless Steel |
| 11 | Gland Nut | 1 | 304 Stainless Steel |
| 12 | Lock Tab | 1 | 304 Stainless Steel |
| 13 | Handle | 1 | 304 Stainless Steel |
| 14 | Handle Nut | 1 | 304 Stainless Steel |
| 15 | Stop Pin | 1 | 304 Stainless Steel |



Technical Information

Class 150 Temperature / Pressure Rating



Lug & Wafer Ball Valve Sharpe® Series 40



How to order Sharpe® Series 40

Example

2 - 40W - 11 - 6 - M = 2 - 40W - 11 - 6 - N

Size Series Class Body Seat

| Size | Series | Class | Body | Seat | Options |
|------|------------|---------|-----------------------|--------|-----------------------------|
| 2 | 40W* Wafer | 11 150# | 4 Carbon Steel | R RTFE | L Lockable Extended Stem |
| 3 | 40L Lug | | 6 316 Stainless Steel | M TFM | A Nace |
| 4 | | | | | |

Note:

*POA

Due to continuous development of our product range, we reserve the right to change the dimensions and information for this product as required.

About ASC Engineered Solutions

ASC Engineered Solutions is defined by quality—in its products, services and support. With more than 1,400 employees, the company's portfolio of precision-engineered piping support, valves and connections provides products to more than 4,000 customers across industries, such as mechanical, industrial, fire protection, oil and gas, and commercial and residential construction. Its portfolio of leading brands includes ABZ Valve®, AFCON®, Anvil®, Anvil EPS, Anvil Services, Basic-PSA, Beck®, Catawissa, Cooplet®, FlexHead®, FPPI®, Gruvlok®, J.B. Smith, Merit®, North Alabama Pipe, Quadrant®, SCI®, Sharpe®, SlideLOK®, SPF® and SprinkFLEX®. With headquarters in Commerce, CA, and Exeter, NH, ASC also has ISO 9001:2015 certified production facilities in PA, TN, IL, TX, AL, LA, KS, and RI.



asc-es.com

Building connections that last™

FC-DS-SERIES 40-v01 20211007

