

Building connections that last™



Sharpe® Series 45

Flanged, ASME Globe Valve Datasheet



ASME Class 150 Flanged Cast Steel
Globe Valve
Sharpe® Series 45114



Design Features

- Outside screw and yoke
- Bolted bonnet
- Welded Seat
- Yoke Integrated with bonnet
- Loose Disc
- Rising stem and non-rising hand-wheel

Applicable Standards

- Steel valves: ANSI B16.34
- Face to face: ANSI B16.10
- End flanges: ANSI B16.5
- Butt-weld ends: ANSI B16.25
- Inspection and test: API 598
- NACE: MR-0175

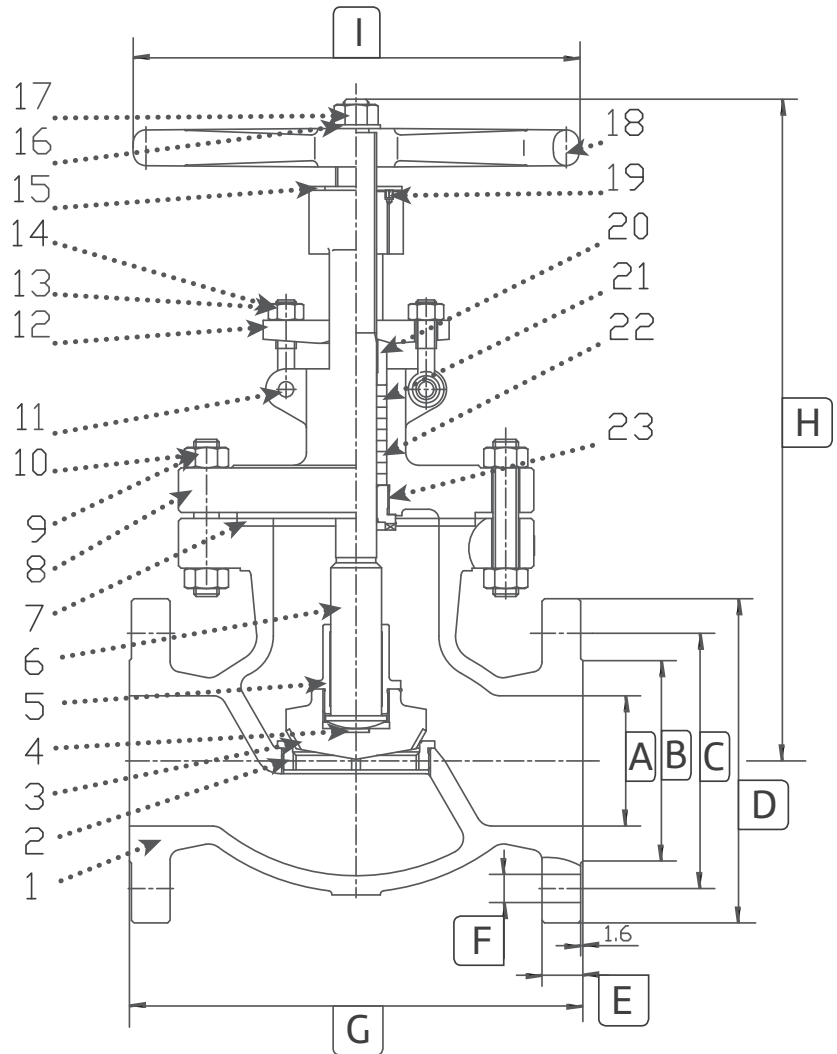


asc-es.com

Building connections that last™



ASME Class 150 Flanged Cast Steel
Globe Valve
Sharpe® Series 45114



Parts & Materials (Sizes 2"—6")

No.	Part Name	Material
1	Body	Carbon Steel ASTM A216 - WCB
2	Seat	A105 & STL.6
3	Disc	A105 & 410 Stainless Steel
4	Thrust Plate	410 Stainless Steel
5	Disc Cover	410 Stainless Steel
6	Stem	A182 F6a
7	Gasket	304 Stainless Steel & Flexible Graphite
8	Bonnet	Carbon Steel ASTM A216 - WCB
9	Stud	B7 Steel A193
10	Nut	2H Steel A194
11	Pin	Carbon Steel
12	Gland Flange	Carbon Steel
13	Eye Bolt	B7 Steel A193
14	Eye Nut	2H Steel A194
15	Stem Nut	D-2
16	Gasket	410 Stainless Steel
17	Nut	Carbon Steel
18	Hand-wheel	Ductile Iron
19	Screw	Carbon Steel
20	Gland	410 Stainless Steel
21	Packing	Flexible Graphite
22	Packing	Flexible Graphite
23	Back Seat	410 Stainless Steel

Dimensions (Inches)

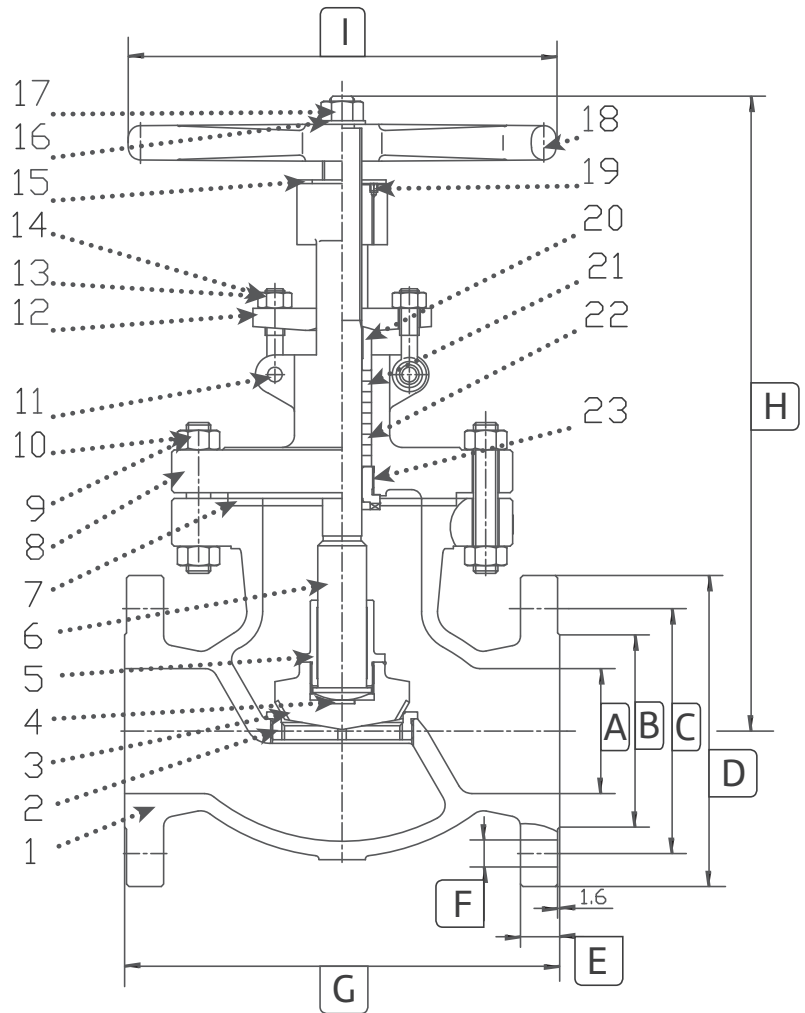
Size	A	B	C	D	E	F	G	H	I	Num of Bolt Holes
2	2.01	3.62	4.76	6.00	0.75	0.75	8.00	13.43	7.87	4
2-½	2.52	4.13	5.51	7.00	0.88	0.75	8.50	14.45	9.84	4
3	2.99	5.00	6.00	7.50	0.94	0.75	9.50	14.76	9.84	4
4	4.02	6.18	7.50	9.00	0.94	0.75	11.50	19.02	11.81	8
6	5.98	8.50	9.50	11.00	1.00	0.875	16.00	20.35	13.78	8

ASME Class 150 Flanged Cast Steel
Globe Valve
Sharpe® Series 45114



Parts & Materials (Sizes 8" – 16")

No.	Part Name	Material
1	Body	Carbon Steel ASTM A216 - WCB
2	Seat	A105 & STL.6
3	Disc	A105 & 410 Stainless Steel
4	Thrust Plate	410 Stainless Steel
5	Disc Cover	410 Stainless Steel
6	Stem	A182 F6a
7	Gasket	304 Stainless Steel & Flexible Graphite
8	Bonnet	Carbon Steel ASTM A216 - WCB
9	Stud	B7 Steel A193
10	Nut	2H Steel A194
11	Pin	Carbon Steel
12	Gland Flange	Carbon Steel
13	Eye Bolt	B7 Steel A193
14	Eye Nut	2H Steel A194
15	Stem Nut	D-2
16	Gasket	410 Stainless Steel
17	Nut	Carbon Steel
18	Hand-wheel	Ductile Iron
19	Screw	Carbon Steel
20	Gland	410 Stainless Steel
21	Packing	Flexible Graphite
22	Packing	Flexible Graphite
23	Back Seat	410 Stainless Steel



Parts & Materials (Sizes 8" – 16")

Size	A	B	C	D	E	F	G	H	I	Num of Bolt Holes
8	8.00	10.62	11.75	13.50	1.12	0.875	19.50	23.23	15.75	8
10	10.00	12.75	14.25	16.00	1.18	1.00	24.50	29.70	17.72	12
12	12.00	15.00	17.00	19.00	1.25	1.00	27.50	37.10	22.05	12
14	13.27	16.25	18.75	21.00	1.37	1.125	31.00	37.40	22.05	12
16	15.21	18.50	21.25	23.50	1.44	1.125	36.00	38.00	25.20	16

ASME Class 150 Flanged Cast Steel
Globe Valve
Sharpe® Series 45114



How to order Series 45114

2	45	-	1	1	4	
Size	Series		Class	Ends	Body Material	Suffixes & Options
Size	Series		Class	Ends	Body Material	Suffixes & Options
2	45		1 150	1 Flange	ASTM A216	GO Gear Operator*
2-½				2 Butt-weld*	4 WCB Carbon Steel	
3						
4						
6						
8						
10						
12						
14*						
16*						

Note:

*POA

Responsibility for proper selection, use and maintenance of any product remains solely with the purchaser and end user. We reserve the right to modify or improve the designs or specifications of any product at any time without notice.

Technical Information

Temperature °F	Working Pressure psi	Temperature °F	Working Pressure psi
-20 to 100	285	700	110
200	260	750	95
300	230	800	80
400	200	850	65
500	170	900	50
600	140	950	35
650	125	1000	20

ASME Class 150 Flanged Stainless Steel Globe Valve Sharpe® Series 45116



Design Features

- Outside screw and yoke
- Bolted bonnet
- Welded Seat
- Yoke Integrated with Bonnet
- Loose Disc
- Rising stem and non-rising hand-wheel

Applicable Standards

- Steel valves: ANSI B16.34
- Face to face: ANSI B16.10
- End flanges: ANSI B16.5
- Butt-weld ends: ANSI B16.25
- Inspection and test: API 598

Technical Information

Temperature (°F*)	Working Pressure (psi)
-20 to 100	275
200	235
300	215
400	195
500	170
600	140
650	125
700	110
750	95
800	80
850	65
900	50
950	35
1000	20

Note:

*Standard PTFE seals limited to 450°F, over 450°F use graphite.

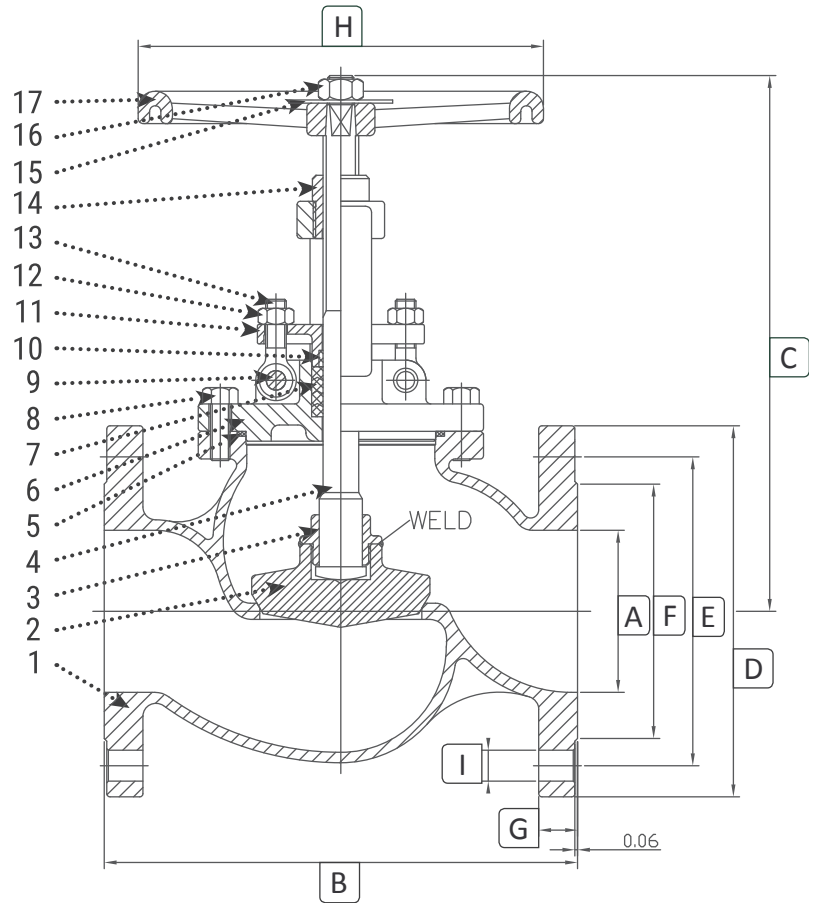


ASME Class 150 Flanged Stainless Steel Globe Valve Sharpe® Series 45116

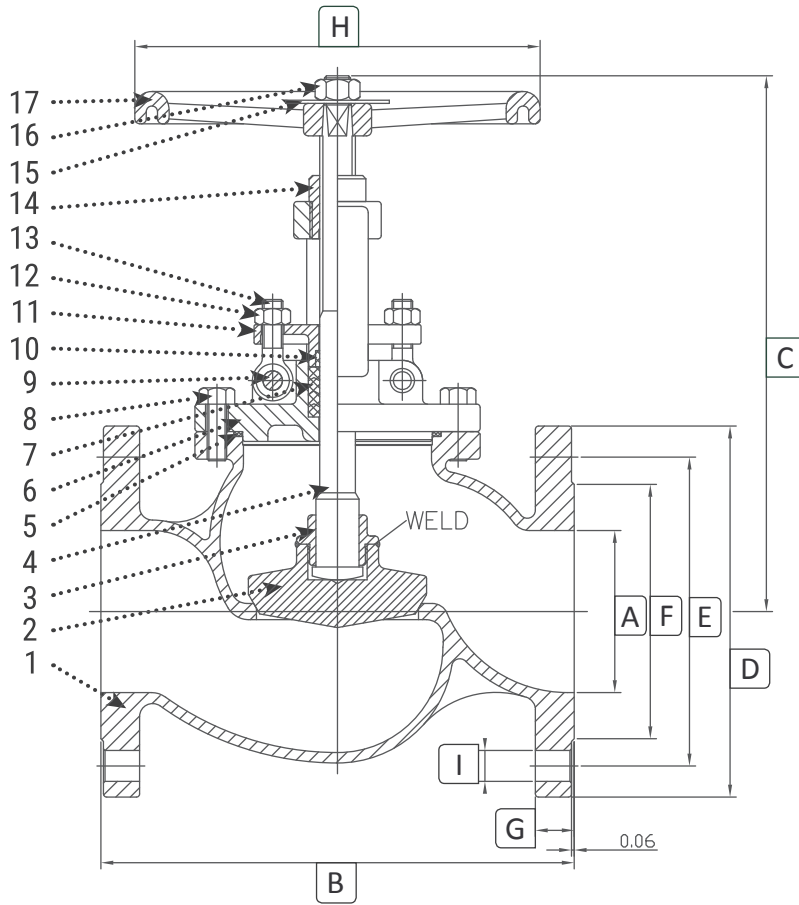
Parts & Materials (Sizes ½" – 12")

No.	Part Name	Material
1	Body	316 Stainless Steel ASTM A351 CF8M
2	Disc	316 Stainless Steel ASTM A351 CF8M
3	Disc Cover	316 Stainless Steel ASTM A351 CF8M
4	Stem	316 Stainless Steel
5	Gasket	RTFE (Grafoil + 300 series Stainless Steel*)
6	Bonnet	CF8M
7	Packing	PTFE (Graphite*)
8	Bonnet Bolt	304 Stainless Steel
9	Pin	304 Stainless Steel
10	Gland Sleeve	RTFE
11	Gland	CF8M
12	Nut	304 Stainless Steel
13	Eye Bolt	304 Stainless Steel
14	Yoke Sleeve	Ductile Iron
15	Name Plate	304 Stainless Steel
16	Nut	304 Stainless Steel
17	Hand-wheel	Ductile Iron

Note:
*Optional



ASME Class 150 Flanged Stainless Steel
 Globe Valve
 Sharpe® Series 45116



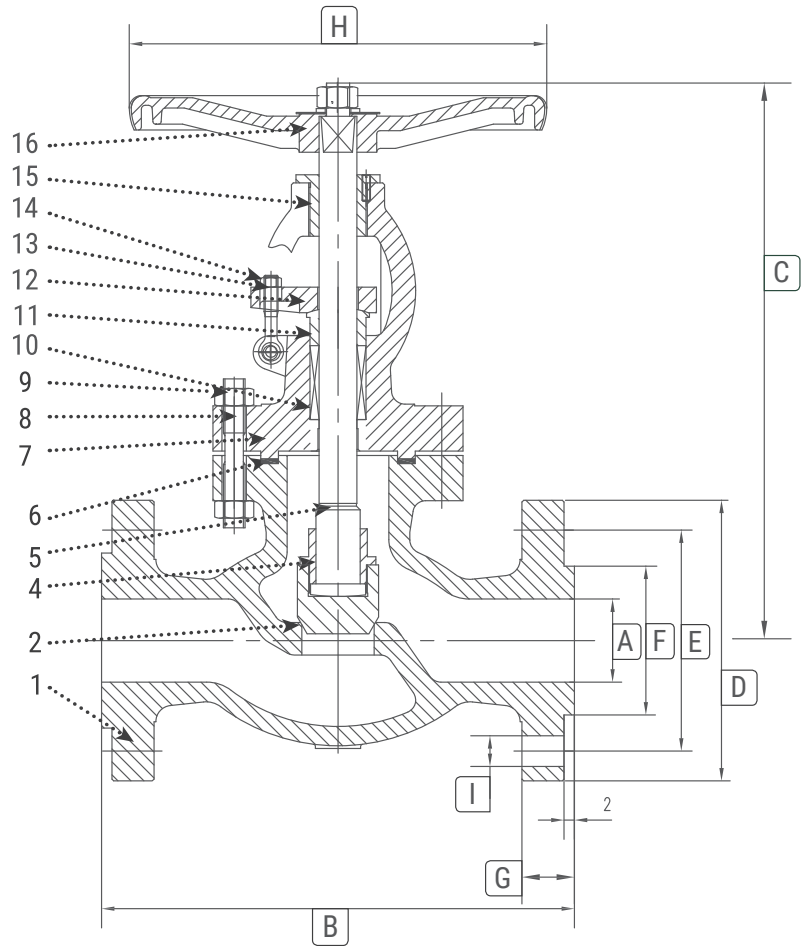
Parts & Materials (Sizes ½" – 12")

Size	A	B	C	D	E	F	G	H	I	Num of Bolt Holes
½	0.59	4.25	7.32	3.50	2.38	1.38	0.43	5.51	0.625	4
¾	0.79	4.61	7.32	3.88	2.75	1.69	0.43	5.51	0.625	4
1	0.98	5.00	8.35	4.25	3.12	2.00	0.43	5.51	0.625	4
1-½	1.57	6.50	9.69	5.00	3.88	2.88	0.56	6.29	0.625	4
2	1.97	7.99	9.92	6.00	4.75	3.62	0.62	7.87	0.75	4
2-½	2.56	8.50	12.12	7.00	5.50	4.12	0.69	7.87	0.75	4
3	3.15	9.49	12.87	7.50	6.00	5.00	0.75	9.84	0.75	4
4	3.94	11.50	15.12	9.00	7.50	6.19	0.94	9.84	0.75	8
6	5.91	15.98	21.53	11.00	9.50	8.50	1.00	13.78	0.875	8
8	7.87	19.49	26.34	13.50	11.75	10.62	1.12	13.78	0.875	8
10	9.84	24.49	32.44	16.00	14.25	12.75	1.19	19.69	1.00	12
12	12.00	27.50	31.30	19.00	17.00	15.00	1.25	18.11	1.00	12

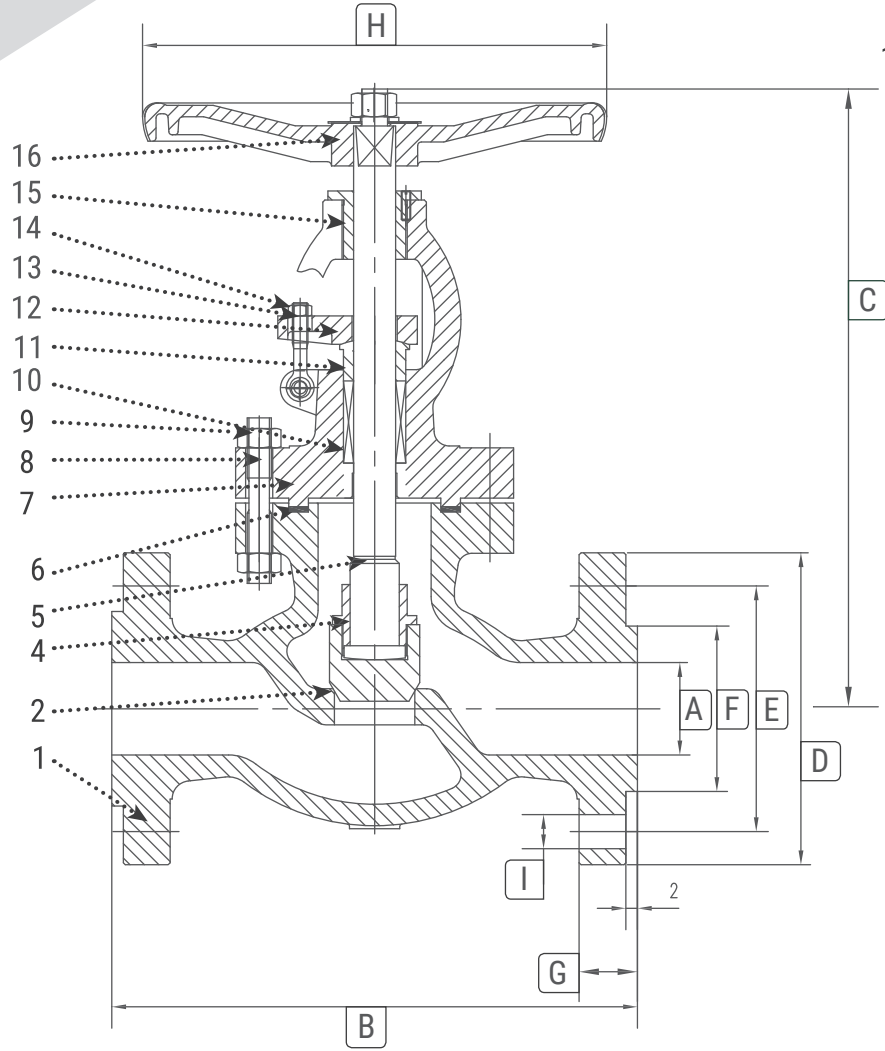
ASME Class 150 Flanged Stainless Steel Globe Valve Sharpe® Series 45116

Parts & Materials (Sizes 14" – 16")

No.	Part Name	Material
1	Body	316 Stainless Steel ASTM A351 CF8M
2	Disc	316 Stainless Steel ASTM A351 CF8M
4	Disc Cover	316 Stainless Steel
5	Stem	A182 F316
6	Gasket	Graphite + 300 series Stainless Steel
7	Bonnet	316 Stainless Steel ASTM A351 CF8M
8	Bonnet Bolt	B8M A193
9	Bonnet Nut	8M A194
10	Packing	Graphite
11	Gland	A276 316
12	Gland Flange	A351 CF8M
13	Gland Eyebolt	B8M A193
14	Gland Nut	8M A194
15	Yoke Sleeve	Brass
16	Hand Wheel	Ductile Iron



ASME Class 150 Flanged Stainless Steel
Globe Valve
Sharpe® Series 45116



Dimensions (Sizes 14" – 16")

Size	A	B	C	D	E	F	G	H	I	Num of Bolt Holes
14	13.27	15.00	33.50	21.00	18.75	16.25	1.38	18.11	1.125	12
16	15.24	16.00	35.12	23.50	21.25	18.25	1.44	18.11	1.125	16

ASME Class 150 Flanged Stainless Steel
Globe Valve
Sharpe® Series 45116



How to order Series 45116

3	45	-	1	1	6	
Size	Series		Class	Ends	Body Material	Suffixes & Options
Size	Series		Class	Ends	Body Material	Suffixes & Options
½	45		1 150 Flange	1 Flange	6 ASTM A351 CF8M SS †	GO Gear Operator*
¾				2 Butt-weld*		G Graphite stem packing & Grafoil-stainless steel bonnet gasket* (½"-12")
1						
1-½						
2						
2-½						
3						
4						
6						
8*						
10*						
12*						
14*						
16*						

Note:

*POA

† Closest cast equivalent to wrought 316 SS

Responsibility for proper selection, use and maintenance of any product remains solely with the purchaser and end user.

We reserve the right to modify or improve the designs or specifications of any product at any time without notice.

ASME Class 300 Flanged Cast Steel
Globe Valve
Sharpe® Series 45314



Design Features

- Outside screw and yoke
- Bolted bonnet
- Welded Seat
- Yoke Integrated with Bonnet
- Loose Disc
- Rising stem and non-rising hand-wheel

Applicable Standards

- Steel valves: ANSI B16.34
- Face to face: ANSI B16.10
- End flanges: ANSI B16.5
- Butt-weld ends: ANSI B16.25
- Inspection and test: API 598
- NACE: MR-0175

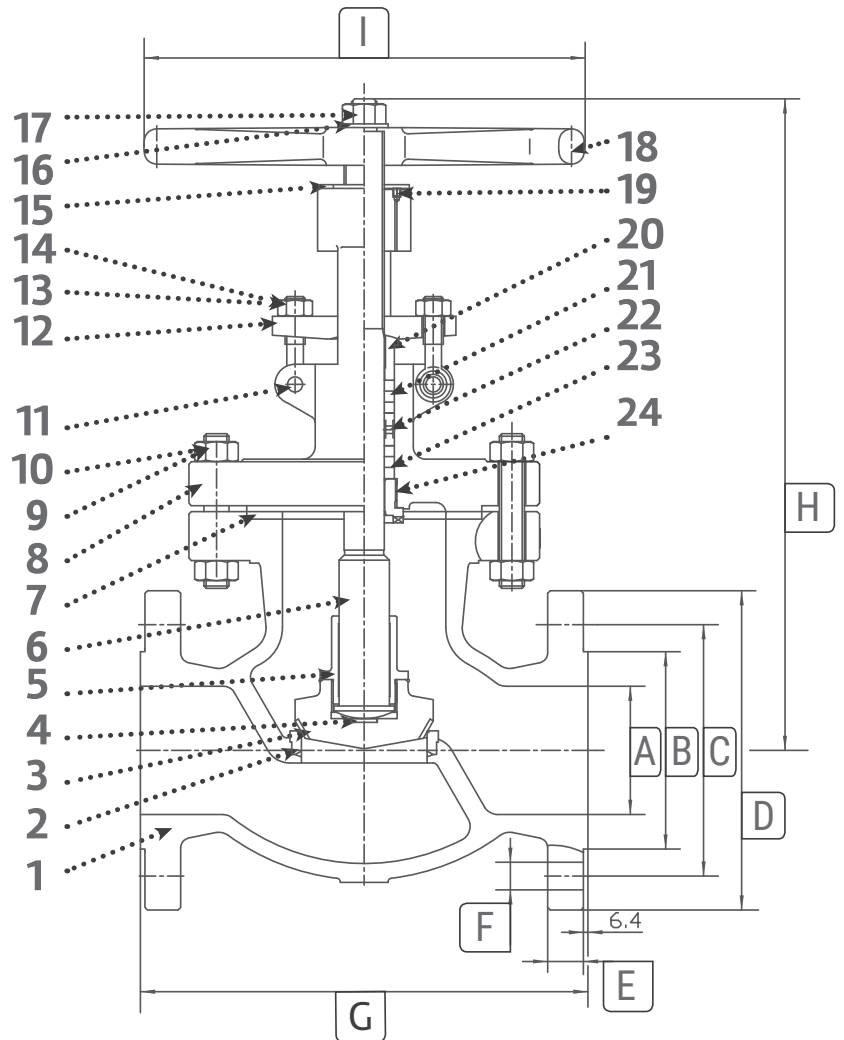
Technical Information

Temperature (°F)	Working Pressure (psi)
-20 to 100	740
200	680
300	655
400	635
500	605
600	570
650	550
700	530
750	505
800	410
850	320
900	230
950	135
1000	85

ASME Class 300 Flanged Cast Steel
Globe Valve
Sharpe® Series 45314

Parts & Materials (Sizes 2" – 6")

No.	Part Name	Material
1	Body	Carbon Steel ASTM A216 - WCB
2	Seat	A105 & STL.6
3	Disc	A105 & 410 Stainless Steel
4	Thrust Plate	410 Stainless Steel
5	Disc Cover	410 Stainless Steel
6	Stem	A182 F6a
7	Gasket	304 Stainless Steel & Flexible Graphite
8	Bonnet	Carbon Steel ASTM A216 - WCB
9	Bolt	B7 Steel A193
10	Nut	2H Steel A194
11	Pin	Carbon Steel
12	Gland Flange	Carbon Steel
13	Eye Bolt	B7 Steel A193
14	Eye Nut	2H Steel A194
15	Stem Nut	D-2
16	Gasket	410 Stainless Steel
17	Nut	Carbon Steel
18	Hand-wheel	Ductile Iron
19	Screw	Carbon Steel
20	Gland	410 Stainless Steel
21	Packing	304 Stainless Steel & Graphite
22	Distance Ring	410 Stainless Steel
23	Packing	Flexible Graphite
24	Back Seat	410 Stainless Steel



Dimensions (Sizes 2" – 6")

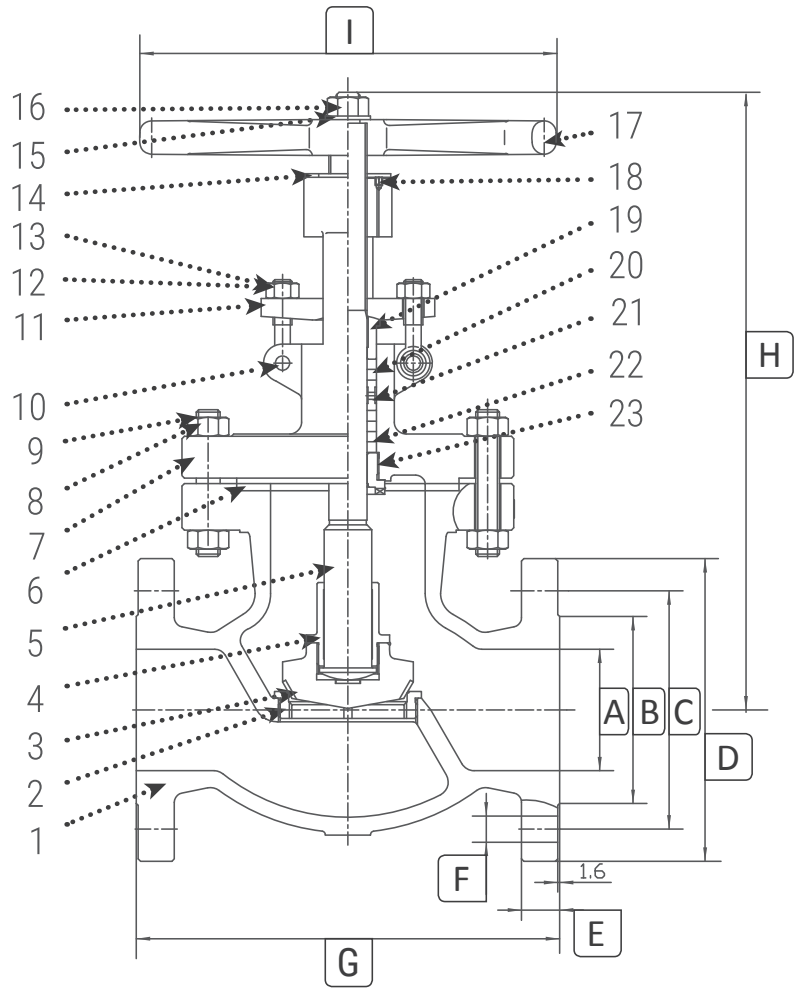
Size	A	B	C	D	E	F	G	H	I	Num of Bolt Holes
2	2.00	3.62	5.00	6.50	0.87	0.75	10.50	13.74	7.87	8
2½	2.50	4.12	5.88	7.50	1.00	0.875	11.50	15.43	9.84	8
3	3.00	5.00	6.62	8.25	1.12	0.875	12.50	16.93	9.84	8
4	4.00	6.19	7.88	10.00	1.25	0.875	14.00	19.13	11.80	8
6	6.00	8.50	10.62	12.50	1.44	0.875	17.50	24.33	15.75	12

ASME Class 300 Flanged Cast Steel
Globe Valve
Sharpe® Series 45314



Parts & Materials (Sizes 8" – 16")

No.	Part Name	Material
1	Body	Carbon Steel ASTM A216 - WCB
2	Seat	A105 & STL.6
3	Disc	A105 & 410 Stainless Steel
4	Disc Cover	410 Stainless Steel
5	Stem	A182 F6a
6	Gasket	304 Stainless Steel & Flexible Graphite
7	Bonnet	Carbon Steel ASTM A216 - WCB
8	Bolt	B7 Steel A193
9	Nut	2H Steel A194
10	Pin	Carbon Steel
11	Gland Flange	Carbon Steel
12	Eye Bolt	B7 Steel A193
13	Eye Nut	2H Steel A194
14	Stem Nut	D-2
15	Gasket	410 Stainless Steel
16	Nut	Carbon Steel
17	Hand-wheel	Ductile Iron
18	Screw	Carbon Steel
19	Gland	410 Stainless Steel
20	Packing	304 Stainless Steel & Graphite
21	Distance Ring	410 Stainless Steel
22	Packing	Flexible Graphite
23	Back Seat	410 Stainless Steel



Parts & Materials (Sizes 8" – 16")

Size	A	B	C	D	E	F	G	H	I	Num of Bolt Holes
8	8.00	10.62	13.00	15.00	1.62	1.00	22.00	36.87	19.69	12
10	10.00	12.75	15.25	17.50	1.87	1.125	24.50	37.36	22.05	16
12	12.00	15.00	17.75	20.50	2.00	1.25	28.00	39.17	22.05	16
14	14.00	16.25	20.25	23.00	2.12	1.25	33.00	39.57	25.20	20
16	16.00	18.50	22.50	25.50	2.25	1.375	34.00	40.35	25.20	20

ASME Class 300 Flanged Cast Steel
Globe Valve
Sharpe® Series 45314



How to order Series 45314

3	45	-	3	1	4	
Size	Series		Class	Ends	Body Material	Suffixes & Options
Size	Series		Class	Ends	Body Material	Suffixes & Options
2	45		3 300	1 Flange	4 ASTM A216 WCB Carbon Steel	G0 Gear Operator*
2-½				2 Butt-weld*		
3						
4						
6						
8						
10*						
12*						
14*						
16*						

Note:
*POA
Responsibility for proper selection, use and maintenance of any product remains solely with the purchaser and end user.
We reserve the right to modify or improve the designs or specifications of any product at any time without notice.

ASME Class 300 Flanged Stainless Steel Globe Valve Sharpe® Series 45316



Design Features

- Outside screw and yoke
- Bolted bonnet
- Welded Seat
- Yoke Integrated with Bonnet
- Loose Disc
- Rising stem and non-rising hand-wheel

Applicable Standards

- Steel valves: ANSI B16.34
- Face to face: ANSI B16.10
- End flanges: ANSI B16.5
- Butt-weld ends: ANSI B16.25
- Inspection and test: API 598

Technical Information

Temperature (°F*)	Working Pressure (psi)
-20 to 100	720
200	620
300	560
400	515
500	480
600	450
650	440
700	435
750	425
800	420
850	420
900	415
950	385
1000	365

Note:

*Standard PTFE seals limited to 450°F, over 450°F use graphite.

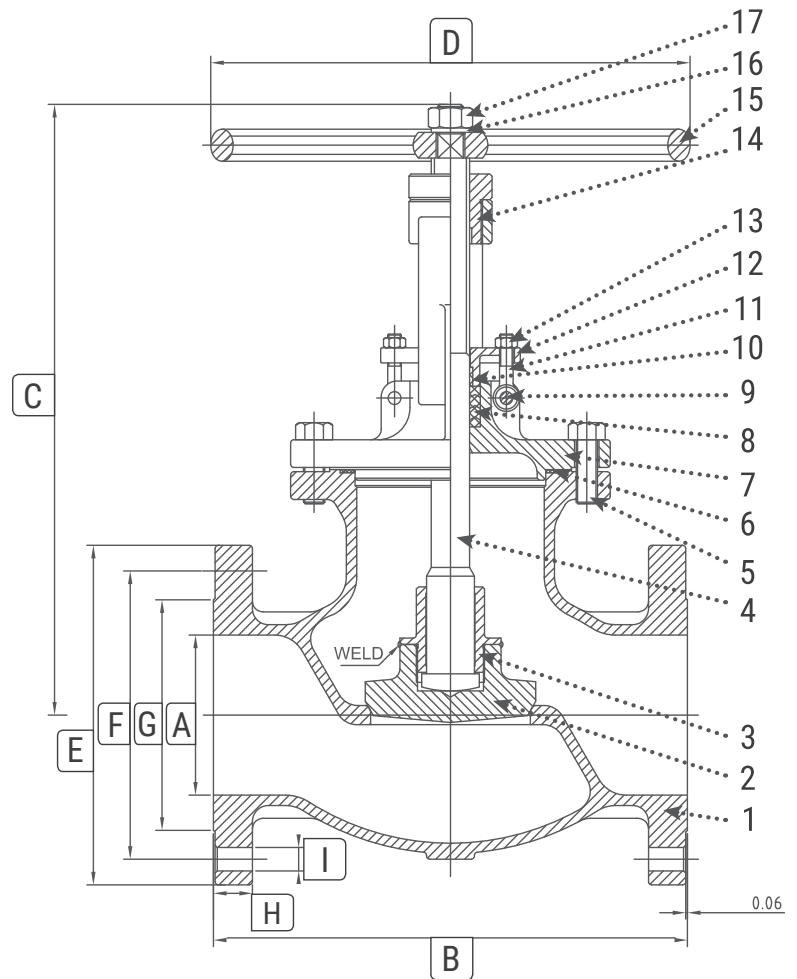


ASME Class 300 Flanged Stainless Steel Globe Valve Sharpe® Series 45316

Parts & Materials (Sizes ½" – 6")

No.	Part Name	Material
1	Body	316 Stainless Steel ASTM A351 CF8M
2	Disc	316 Stainless Steel ASTM A351 CF8M
3	Seat Ring	316 Stainless Steel ASTM A351 CF8M
4	Stem	316 Stainless Steel
5	Bonnet Bolt	304 Stainless Steel
6	Gasket	Grafoil + 300 series Stainless Steel
7	Bonnet	316 Stainless Steel
8	Packing	PTFE (Graphite*)
9	Pin	304 Stainless Steel
10	Gland Sleeve	PTFE
11	Eye Bolt	304 Stainless Steel
12	Gland	316 Stainless Steel
13	Nut	304 Stainless Steel
14	Yoke Sleeve	Brass
15	Hand-wheel	Ductile Iron
16	Washer	304 Stainless Steel
17	Nut	304 Stainless Steel

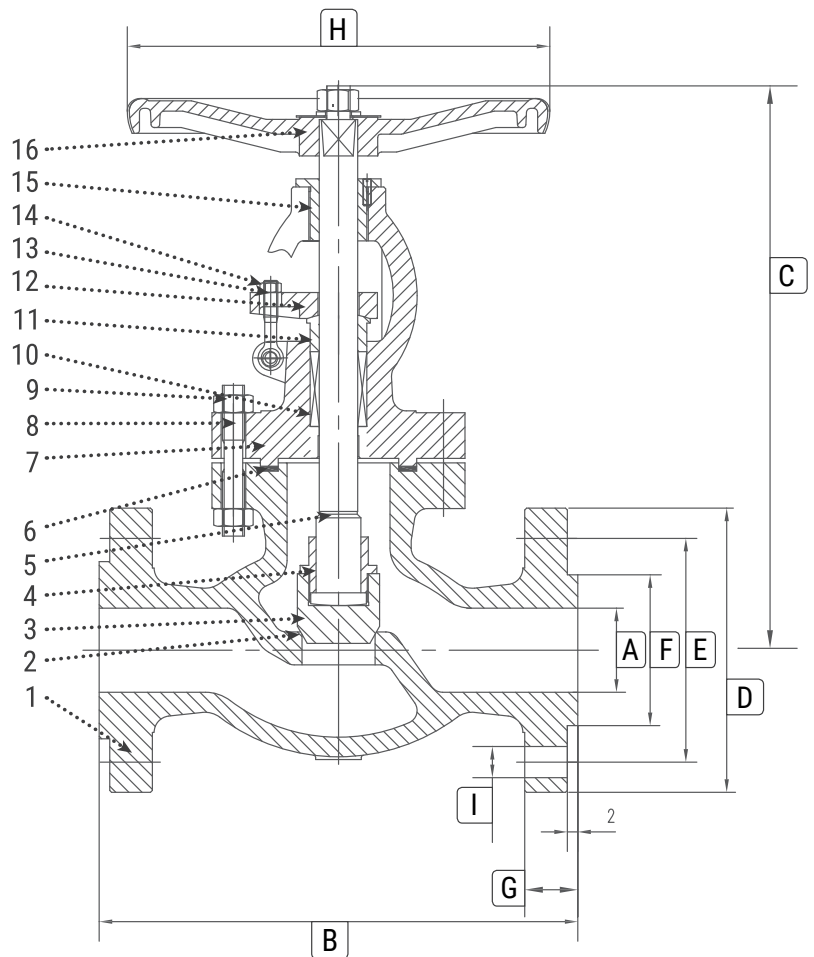
Note:
*Optional



Dimensions (Sizes ½" – 6")

Size	A	B	C	D	E	F	G	H	I	Num of Bolt Holes
½	0.59	5.98	9.06	5.51	3.74	2.62	1.38	0.56	0.62	4
¾	0.79	7.00	9.06	5.51	4.62	3.25	1.69	0.62	0.75	4
1	0.98	7.99	9.06	5.51	4.88	3.50	2.01	0.69	0.75	4
1-½	1.57	9.02	12.91	9.84	6.12	4.51	2.88	0.81	0.875	4
2	1.97	10.51	14.88	9.84	6.50	5.00	3.62	0.88	0.75	8
2-½	2.56	11.49	16.18	11.81	7.50	5.88	4.12	1.00	0.875	8
3	3.15	12.52	16.77	11.81	8.25	6.62	5.00	1.12	0.875	8
4	3.94	14.02	20.47	11.81	10.00	7.88	6.19	1.25	0.875	8
6	5.91	17.48	26.26	17.72	12.50	10.62	8.50	1.44	0.875	12

ASME Class 300 Flanged Stainless Steel Globe Valve Sharpe® Series 45316



Parts & Materials (Sizes 8" — 16")

No.	Part Name	Material
1	Body	316 Stainless Steel ASTM A351 CF8M
2	Seal Facing	316 Stainless Steel
3	Disc	316 Stainless Steel ASTM A351 CF8M
4	Disc Cover	316 Stainless Steel
5	Stem	A182 F316
6	Gasket	Graphite + 300 series Stainless Steel
7	Bonnet	316 Stainless Steel ASTM A351 CF8M
8	Bonnet Bolt	B8M A193
9	Bonnet Nut	8M A194
10	Packing	Graphite
11	Gland	A276 316
12	Gland Flange	A351 CF8M
13	Gland Eyebolt	B8M A193
14	Gland Nut	8M A194
15	Stem Nut	Steel
16	Hand Wheel	Ductile Iron

Dimensions (Sizes 8" — 16")

Size	A	B	C	D	E	F	G	H	I	Num of Bolt Holes
8	7.87	22.01	32.64	19.68	15.00	13.00	10.62	1.62	1.00	12
10	10.00	24.50	36.61	23.62	17.50	15.25	12.76	1.88	1.125	16
12	12.01	28.00	32.83	18.11	20.50	17.75	15.00	2.00	1.25	16
14	13.27	33.00	36.77	18.11	23.00	20.25	16.26	2.12	1.25	20
16	15.24	34.00	45.28	18.11	25.50	22.50	18.50	2.25	1.375	20

ASME Class 300 Flanged Stainless Steel
Globe Valve
Sharpe® Series 45316



How to order Series 45316

3	45	-	3	1	6	
Size	Series		Class	Ends	Body Material	Suffixes & Options
Size	Series		Class	Ends	Body Material	Suffixes & Options
½	45		3 300	1 Flange	6 ASTM A351 CF8M SS†	GO Gear Operator*
¾				2 Butt-weld*		G Graphite Stem Packing* (½"-6")
1						
1-½						
2*						
2-½*						
3*						
4*						
6*						
8*						
10*						
12*						
14*						
16*						

Note:

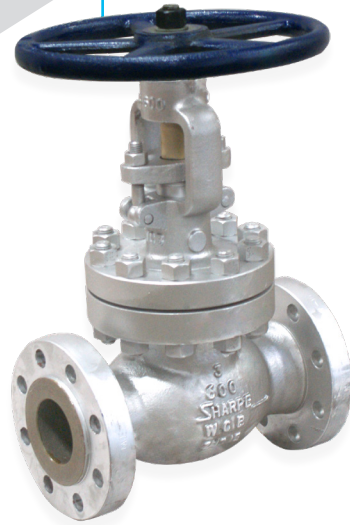
*POA

† Closest cast equivalent to wrought 316 SS

Responsibility for proper selection, use and maintenance of any product remains solely with the purchaser and end user.

We reserve the right to modify or improve the designs or specifications of any product at any time without notice.

ASME Class 600 Flanged Cast
Steel Globe Valve
Sharpe® Series 45614



Design Features

- Outside screw and yoke
- Bolted bonnet
- Welded Seat
- Yoke Integrated with Bonnet
- Loose Disc
- Rising stem and non-rising hand-wheel

Applicable Standards

- Steel valves: ANSI B16.34
- Face to face: ANSI B16.10
- End flanges: ANSI B16.5
- Butt-weld ends: ANSI B16.25
- Inspection and test: API 598
- NACE: MR-0175

Technical Information

Temperature (°F)	Working Pressure (psi)
-20 to 100	1480
200	1350
300	1310
400	1265
500	1205
600	1135
650	1100
700	1060
750	1015
800	825
850	640
900	460
950	275
1000	170



asc-es.com

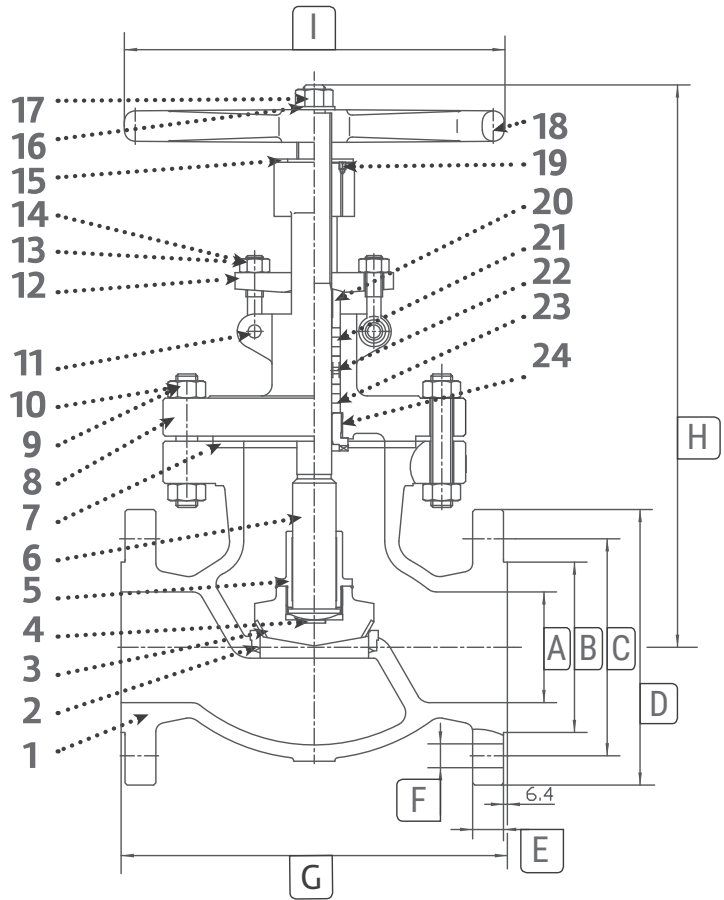
Building connections that last™

ASME Class 600 Flanged Cast
Steel Globe Valve
Sharpe® Series 45614



Parts & Materials (Sizes 2" – 6")

No.	Part Name	Material
1	Body	Carbon Steel ASTM A216 - WCB
2	Seat	A105 & STL.6
3	Disc	A105 & 410 Stainless Steel
4	Thrust Plate	410 Stainless Steel
5	Disc Cover	410 Stainless Steel
6	Stem	A182 F6a
7	Gasket	304 Stainless Steel & Flexible Graphite
8	Bonnet	Carbon Steel ASTM A216 - WCB
9	Bolt	B7 Steel A193
10	Nut	2H Steel A194
11	Pin	Carbon Steel
12	Gland Flange	Carbon Steel
13	Eye Bolt	B7 Steel A193
14	Eye Nut	2H Steel A194
15	Stem Nut	D-2
16	Gasket	410 Stainless Steel
17	Nut	Carbon Steel
18	Hand-wheel	Ductile Iron
19	Screw	Carbon Steel
20	Gland	410 Stainless Steel
21	Packing	304 Stainless Steel & Graphite
22	Distance Ring	410 Stainless Steel
23	Packing	Flexible Graphite
24	Back Seat	410 Stainless Steel



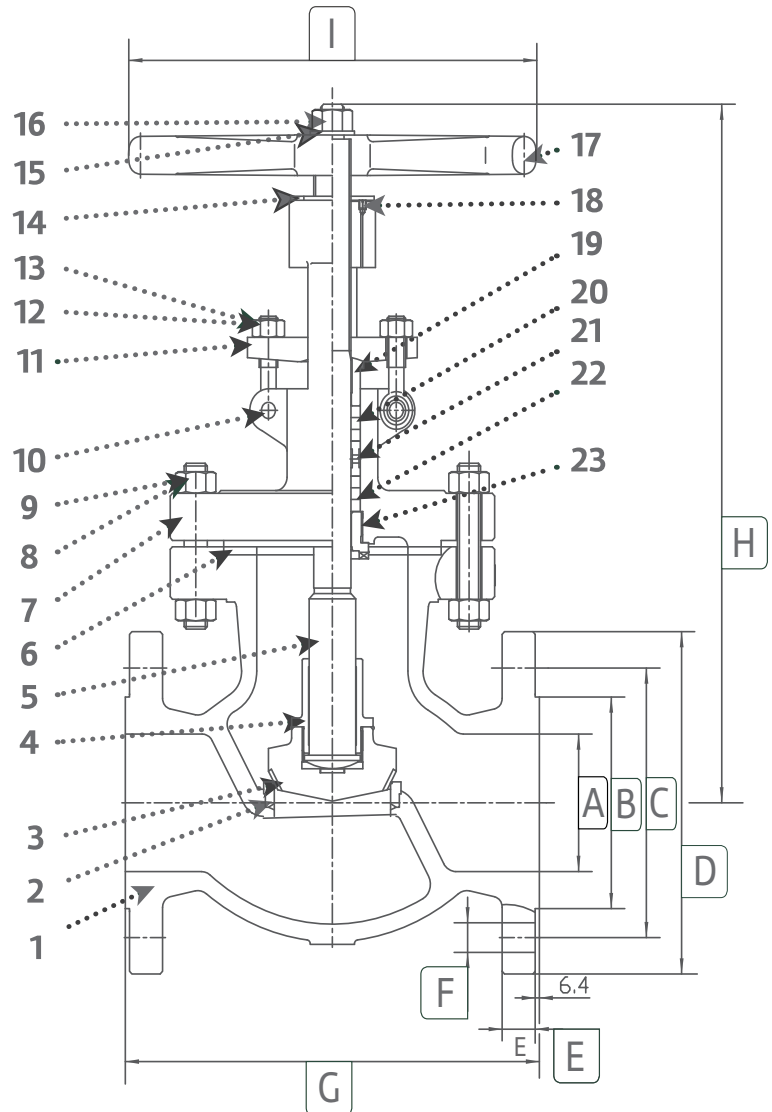
Dimensions (Inches)

Size	A	B	C	D	E	F	G	H	I	Num of Bolt Holes
2	2.00	3.62	5.00	6.50	1.00	0.75	11.50	14.65	9.84	8
2-½	2.50	4.12	5.88	7.50	1.12	0.875	12.99	18.30	11.81	8
3	3.00	5.00	6.62	8.25	1.25	0.875	14.01	20.51	13.78	8
4	4.00	6.19	8.50	10.75	1.50	1.00	17.00	24.41	15.75	8
6	6.00	8.50	11.50	14.00	1.89	1.125	22.00	24.33	19.69	12

ASME Class 600 Flanged Cast
Steel Globe Valve
Sharpe® Series 45614

Parts & Materials (Sizes 8" – 12")

No.	Part Name	Material
1	Body	Carbon Steel ASTM A216 - WCB
2	Seat	A105 & STL.6
3	Disc	A105 & 410 Stainless Steel
4	Disc Cover	410 Stainless Steel
5	Stem	A182 F6a
6	Gasket	304 Stainless Steel & Flexible Graphite
7	Bonnet	Carbon Steel ASTM A216 - WCB
8	Bolt	B7 Steel A193
9	Nut	2H Steel A194
10	Pin	Carbon Steel
11	Gland Flange	Carbon Steel
12	Eye Bolt	B7 Steel A193
13	Eye Nut	2H Steel A194
14	Stem Nut	D-2
15	Gasket	410 Stainless Steel
16	Nut	Carbon Steel
17	Hand-wheel	Ductile Iron
18	Screw	Carbon Steel
19	Gland	410 Stainless Steel
20	Packing	304 Stainless Steel & Graphite
21	Distance Ring	410 Stainless Steel
22	Packing	Flexible Graphite
23	Back Seat	410 Stainless Steel



Dimensions (Inches)

Size	A	B	C	D	E	F	G	H	I	Num of Bolt Holes
8	7.89	10.62	13.75	16.50	2.19	1.25	26.00	36.70	22.05	12
10	9.76	12.75	17.00	20.00	2.50	1.375	31.00	35.60	25.20	16
12	11.73	15.00	19.25	22.00	2.62	1.375	33.00	44.20	27.56	20

ASME Class 600 Flanged Cast
Steel Globe Valve
Sharpe® Series 45614



How to order Series 45614

4	45	-	6	1	4	
Size	Series		Class	Ends	Body Material	Suffixes & Options
2	45		6 600	1 Flange	4 ASTM A216 WCB Carbon Steel	GO Gear Operator*
2-½				2 Butt-weld*		
3						
4						
6						
8						
10*						
12*						

Note:

*POA

Responsibility for proper selection, use and maintenance of any product remains solely with the purchaser and end user.
We reserve the right to modify or improve the designs or specifications of any product at any time without notice.

About ASC Engineered Solutions

ASC Engineered Solutions is defined by quality—in its products, services and support. With more than 1,400 employees, the company's portfolio of precision-engineered piping support, valves and connections provides products to more than 4,000 customers across industries, such as mechanical, industrial, fire protection, oil and gas, and commercial and residential construction. Its portfolio of leading brands includes ABZ Valve®, AFCON®, Anvil®, Anvil EPS, Anvil Services, Basic-PSA, Beck®, Catawissa, Cooplet®, FlexHead®, FPPI®, Gruklok®, J.B. Smith, Merit®, North Alabama Pipe, Quadrant®, SCI®, Sharpe®, SlideLOK®, SPF® and SprinkFLEX®. With headquarters in Commerce, CA, and Exeter, NH, ASC also has ISO 9001:2015 certified production facilities in PA, TN, IL, TX, AL, LA, KS, and RI.



asc-es.com

Building connections that last™

FC-DS-SERIES-45-v03 20220830

