

Building connections that last™



Sharpe® Series 76

High Performance
Three Way Ball Valve
Datasheet



High Performance Three Way Ball Valve Sharpe® Series 76



Design & Features

Body Material

316 Stainless Steel

Four Seat Design

Three way Series 76 valves utilize four seats to securely support the ball.

Flow Plans

A variety of flow plans are available in both "T" and "L" port configurations.

Stem Design

Live-loaded, bottom entry, blowout proof stem featuring packing that extends valve cycle life over conventional ball valves and is best choice for actuation.

Stem seals are live-loaded using Belleville springs to provide consistent sealing forces, reducing or eliminating the need for frequent seal adjustment.

ISO 5211 Integral Direct Mount Mounting Pad

Direct mount pad eliminates need for brackets and couplers*.

Ideal for actuation.

Actuators may be retrofitted on existing Sharpe® Series 76 without disruption of line integrity.

Allows for secondary containment unit to be added when necessary.

End Connections

Threaded and Socket Weld end connections are available.

Lockable Handle

All Sharpe® Series 76 valves are supplied with lockable lever handles.

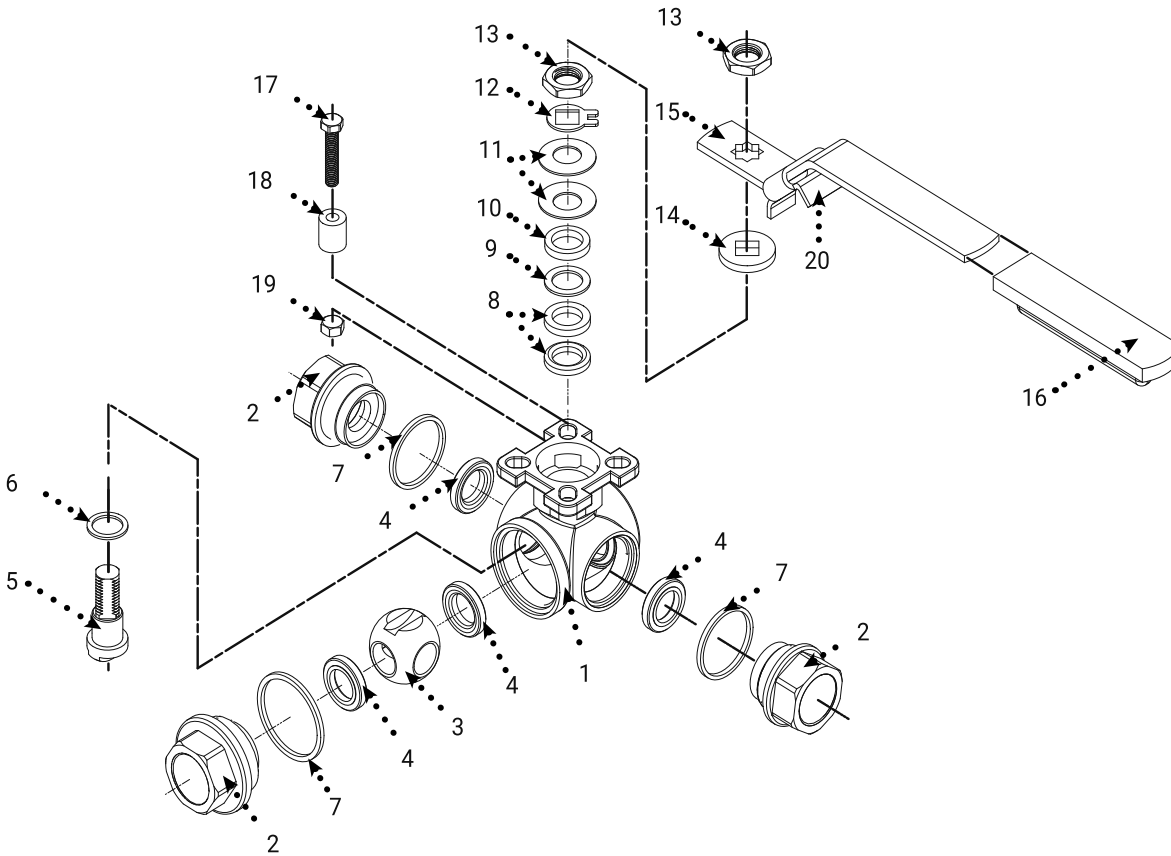
Traceability

Body and end piece castings are marked with heat codes providing traceability to the chemical analysis and material test reports performed at the foundry. CMTR's (Certified Material Test Reports) are available upon request.

Note:

*Mounting bracket must be used for high temperature (>180° F) and steam applications.

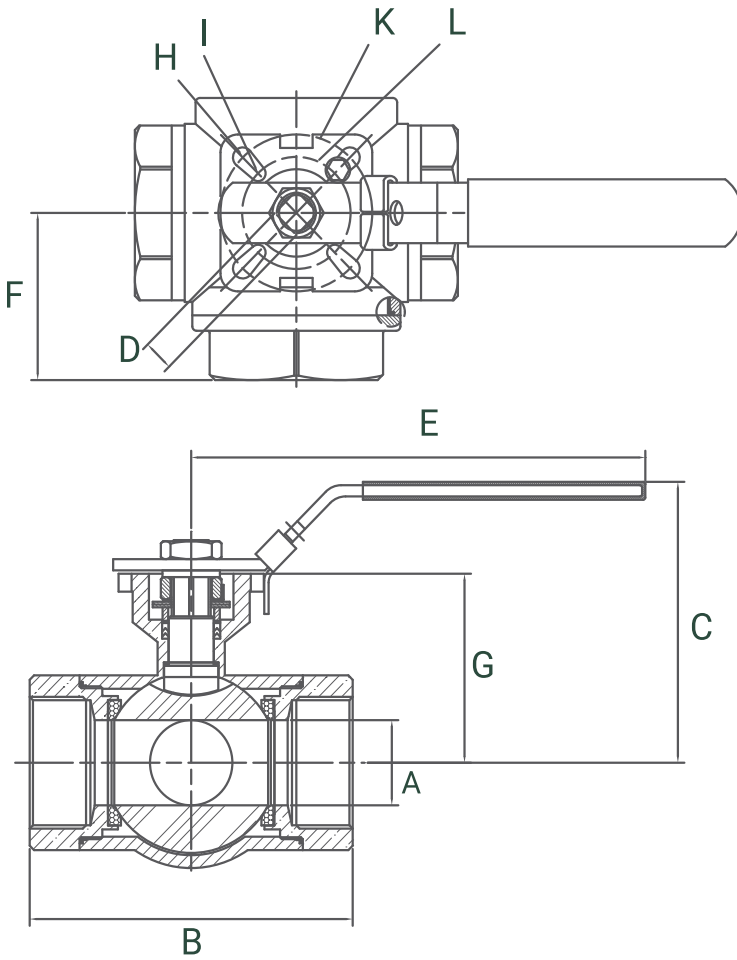
High Performance Three Way Ball Valve Sharpe® Series 76



Parts & Materials

No.	Part Name	Qty.	Material	No.	Part Name	Qty.	Material
1	Body	1	316 Stainless Steel ASTM A351 CF8M	11	Belleville Washer	2	300 Series Stainless Steel
2	Ends	3	316 Stainless Steel ASTM A351 CF8M	12	Lock Tab	1	300 Series Stainless Steel
3	Ball	1	316 Stainless Steel	13	Handle Nut	2	300 Series Stainless Steel
4	Seat	4	TFM®	14	Washer	1	300 Series Stainless Steel
5	Stem	1	316 Stainless Steel	15	Handle	1	300 Series Stainless Steel
6	Thrust Washer	1	PTFE	16	Handle Sleeve	1	Vinyl Grip
7	End Seals	3	PTFE	17	Stopper	1	300 Series Stainless Steel
8	Stem Packing	2	PTFE	18	Stopper Sleeve	1	300 Series Stainless Steel
9	Thrust Washer	1	TFM®	19	Stopper Nut	1	300 Series Stainless Steel
10	Gland	1	300 Series Stainless Steel	20	Locking Device	1	300 Series Stainless Steel

High Performance
Three Way Ball Valve
Sharpe® Series 76



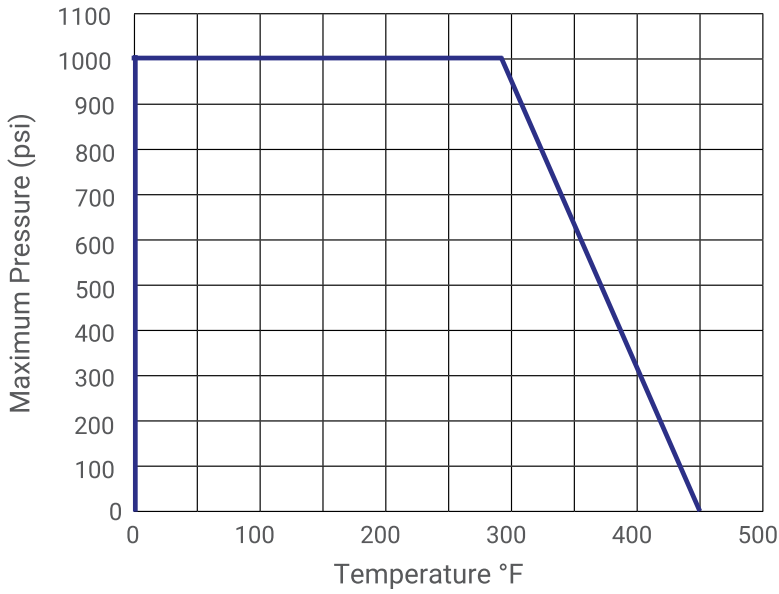
Dimensions (Inches)

Size	A	B	C	D	E	F	G	I	H	J	K	L
1/4	0.43	2.98	2.56	0.35	5.20	1.51	1.45	0.24	0.24	0.32	F04	F03
3/8	0.43	2.98	2.56	0.35	5.20	1.51	1.45	0.24	0.24	0.32	F04	F03
1/2	0.49	2.98	2.56	0.35	5.20	1.51	1.45	0.24	0.24	0.32	F04	F03
3/4	0.63	3.41	2.82	0.35	5.20	1.76	1.74	0.24	0.24	0.35	F04	F03
1	0.79	4.06	3.71	0.43	7.09	2.00	2.17	0.24	0.28	0.45	F05	F04
1-1/4	0.98	4.65	3.94	0.43	7.09	2.27	2.39	0.24	0.28	0.45	F05	F04
1-1/2	1.26	4.95	4.56	0.55	8.86	2.46	2.96	0.28	0.35	0.59	F07	F05
2	1.50	5.87	4.92	0.55	8.86	2.93	3.32	0.28	0.35	0.59	F07	F05

High Performance
Three Way Ball Valve
Sharpe® Series 76



Pressure-Temperature Rating

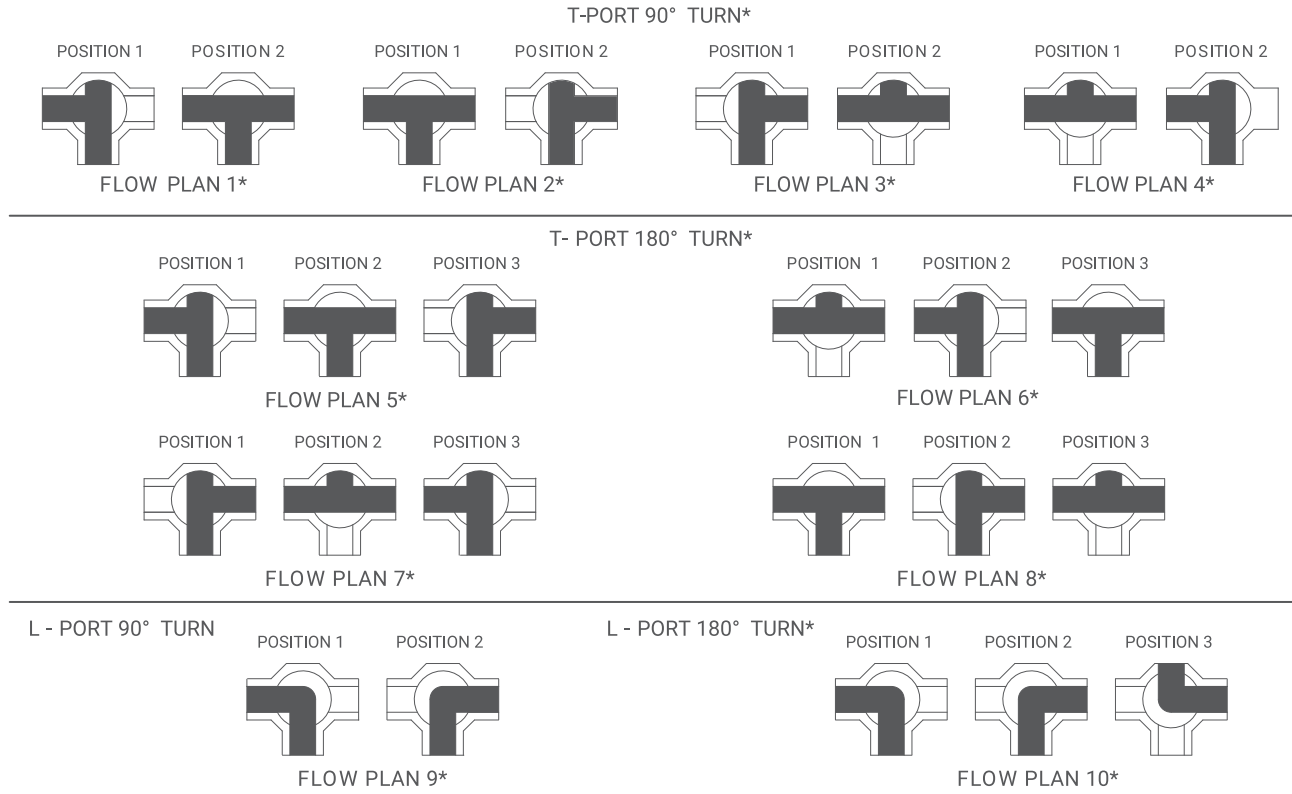


Technical Information

Size	CV T Port	CV L Port	Torque in/Lbs		Weight Lbs
			PTFE "T" Seat	TFM® "M" Seat	
1/4	5	3	35	40	1.65
3/8	6	3	35	40	1.65
1/2	8	4	35	40	1.65
3/4	13	7	70	73	2.65
1	22	12	82	100	3.97
1-1/4	35	20	182	183	5.51
1-1/2	59	34	235	241	7.94
2	88	51	495	501	12.79

High Performance Three Way Ball Valve Sharpe® Series 76

Technical Information



Note:

*Not to be used as an isolation valve.

High Performance
Three Way Ball Valve
Sharpe® Series 76



How to order
Sharpe® Series 76

Size	Series	Body & Ends	Ball & Stem	Seat	Seal	Ends	Flow Plan
1/4	76	6 316 Stainless Steel	6 316 Stainless Steel	T PTFE	T PTFE	TE Threaded	1 6
3/8				M TFM® Seat		SW Socket Weld	2 7
1/2							3 8
3/4							4 9
1							5 10
1-1/4							
1-1/2							
2							

Note:
TFM is a registered trademark of Dyneon, LLC

Due to continuous development of our product range, we reserve the right to change the dimensions and information for this product as required.

About ASC Engineered Solutions

ASC Engineered Solutions is defined by quality—in its products, services and support. With more than 1,400 employees, the company's portfolio of precision-engineered piping support, valves and connections provides products to more than 4,000 customers across industries, such as mechanical, industrial, fire protection, oil and gas, and commercial and residential construction. Its portfolio of leading brands includes ABZ Valve®, AFCON®, Anvil®, Anvil EPS, Anvil Services, Basic-PSA, Beck®, Catawissa, Cooplet®, FlexHead®, FPPI®, Golvlok®, J.B. Smith, Merit®, North Alabama Pipe, Quadrant®, SCI®, Sharpe®, SlideLOK®, SPF® and SprinkFLEX®. With headquarters in Commerce, CA, and Exeter, NH, ASC also has ISO 9001:2015 certified production facilities in PA, TN, IL, TX, AL, LA, KS, and RI.



asc-es.com

Building connections that last™

FC-DS-SERIES 76-v01 20211006

