

Building connections that last™



Series 8160L

Lead-Free Brass Ball Valve,
Nickel Plated Datasheet



Lead-Free Brass Ball Valve, Nickel Plated Series 8160L

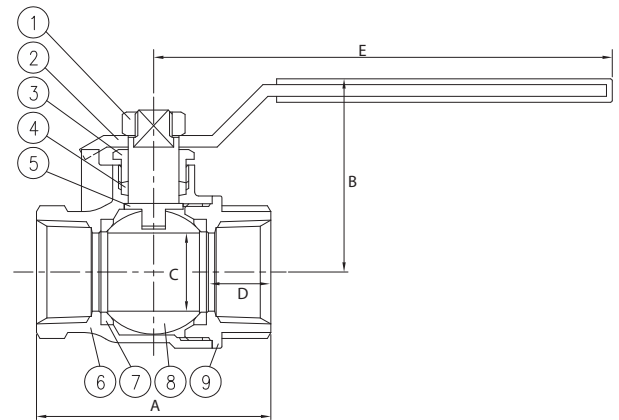


Design Features

- Meets Federal Safe Water Drinking Water Act, lead-free requirement
- Certified to NSF/ANSI 372
- 600 lb. CWP, 150lb. WSP
- Full port
- Lead-free forged brass body
- Blow-out proof stem
- CSA approved under z21.15a for ½ psig (½" - 2")
- CSA approved under 3-88 for 5 psig ½ psig (½" - 2")
- ISO 9001:2008 manufacturer

Parts & Materials

No.	Part	Material
1	Nut	Forged Steel ASTM A283 (Zinc Plated)
2	Handle	Forged Steel ASTM A283 (Zinc Plated)
3	Packing Nut	Brass ASTM B-36, C28000
4	Stem Packing	PTFE
5	Stem	Brass ASTM B-36, C28000
6	Body	Forged Brass ASTM B-36, C28000 Nickel Plated
7	Ball Seat	PTFE
8	Ball	Chrome Plated Brass ASTM B-36, C28000
9	Body End Cap	Brass ASTM B-36, C28000



Dimensions

Size	Part Number	Weight	A	B	C	D	E
In		Lb	In	In	In	In	In
1/8	01728160AL	0.3	1.69	1.62	0.39	0.39	3.47
1/4	01728160CL	0.3	1.69	1.62	0.39	0.39	3.47
3/8	01728160EL	0.4	1.69	1.62	0.39	0.39	3.47
1/2	01728160GL	0.5	2.07	1.85	0.59	0.51	3.47
3/4	01728160IL	0.7	2.38	2.13	0.79	0.55	4.33
1	01728160KL	1.0	2.90	2.29	0.99	0.66	4.33
1-1/4	01728160LL	1.7	3.27	2.80	1.26	0.67	5.71
1-1/2	01728160ML	2.3	3.62	3.00	1.58	0.68	5.71
2	01728160NL	3.5	4.41	3.27	1.97	0.87	5.71

About ASC Engineered Solutions

ASC Engineered Solutions is defined by quality—in its products, services and support. With more than 1,400 employees, the company's portfolio of precision-engineered piping support, valves and connections provides products to more than 4,000 customers across industries, such as mechanical, industrial, fire protection, oil and gas, and commercial and residential construction. Its portfolio of leading brands includes ABZ Valve®, AFCON®, Anvil®, Anvil EPS, Anvil Services, Basic-PSA, Beck®, Catawissa, Cooplet®, FlexHead®, FPPI®, Gruklok®, J.B. Smith, Merit®, North Alabama Pipe, Quadrant®, SCI®, Sharpe®, SlideLOK®, SPF® and SprinkFLEX®. With headquarters in Commerce, CA, and Exeter, NH, ASC also has ISO 9001:2015 certified production facilities in PA, TN, IL, TX, AL, LA, KS, and RI.



asc-es.com

Building connections that last™

