

Building connections that last™

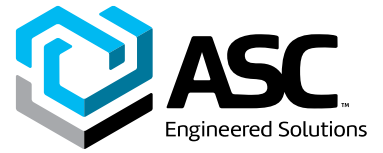


Sharpe® Series D88

High Purity Tube Diverter
Ball Valve Datasheet



High Purity Tube Diverter Ball Valve Sharpe® Series D88



Design and Features

Body Material

316L Stainless Steel

Three Piece Diverter Design

In-line serviceable swing-out center section allows easy access to internal valve components without disturbing alignment of pipe.

Stem Design

Live-loaded, bottom entry, blowout proof, anti-static stem featuring packing that extends valve cycle life over conventional ball valves and is best choice for actuation.

Stem seals are live-loaded using Belleville springs to provide consistent sealing forces, reducing or eliminating the need for frequent seal adjustment.

Tongue and Groove Design

Fully encapsulated body seals, allowing ends to be welded in-line, without time consuming and labor intensive disassembly.

Design compensates for bolt expansion and reduces the chance of external leakage.

Helps prevent seal ruptures in high pressure, cryogenic or steam applications.

Encapsulated Body Bolts

Heavy duty stainless steel bolting is protected from outside environment assuring valve integrity.

Ideal for wash-downs.

ISO 5211 Integral Mounting Pad

Ideal for actuation.

Centering lip feature assures precise alignment of bracket, stem and coupler.

Actuators may be retrofitted on existing Sharpe® Series D88 without disruption of line integrity.

Allows for secondary containment unit to be added when necessary.

Lockable Handle

All Sharpe® Series D88 valves are supplied with lockable lever or pipe handles.

Traceability

Body and end piece castings are marked with heat codes providing traceability to the chemical analysis and material test reports performed at the foundry. CMTR's (Certified Material Test Reports) are available upon request.

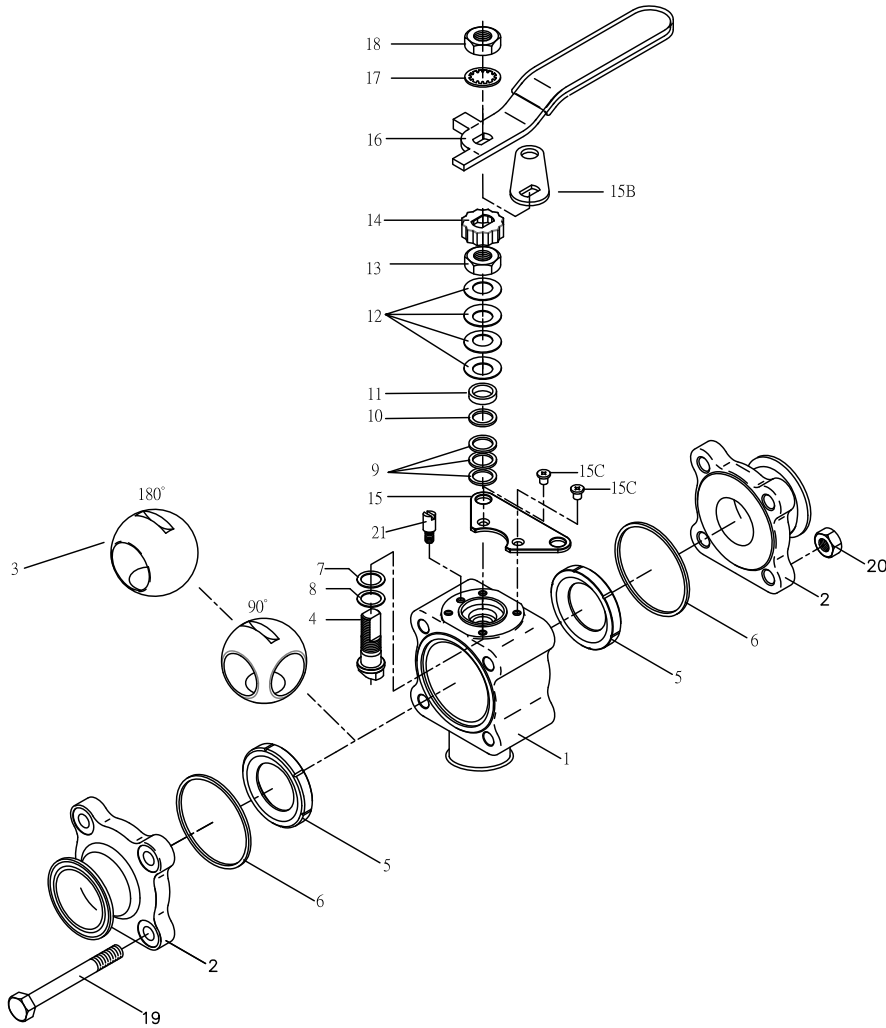


asc-es.com

Building connections that last™



High Purity Tube Diverter Ball Valve Sharpe® Series D88

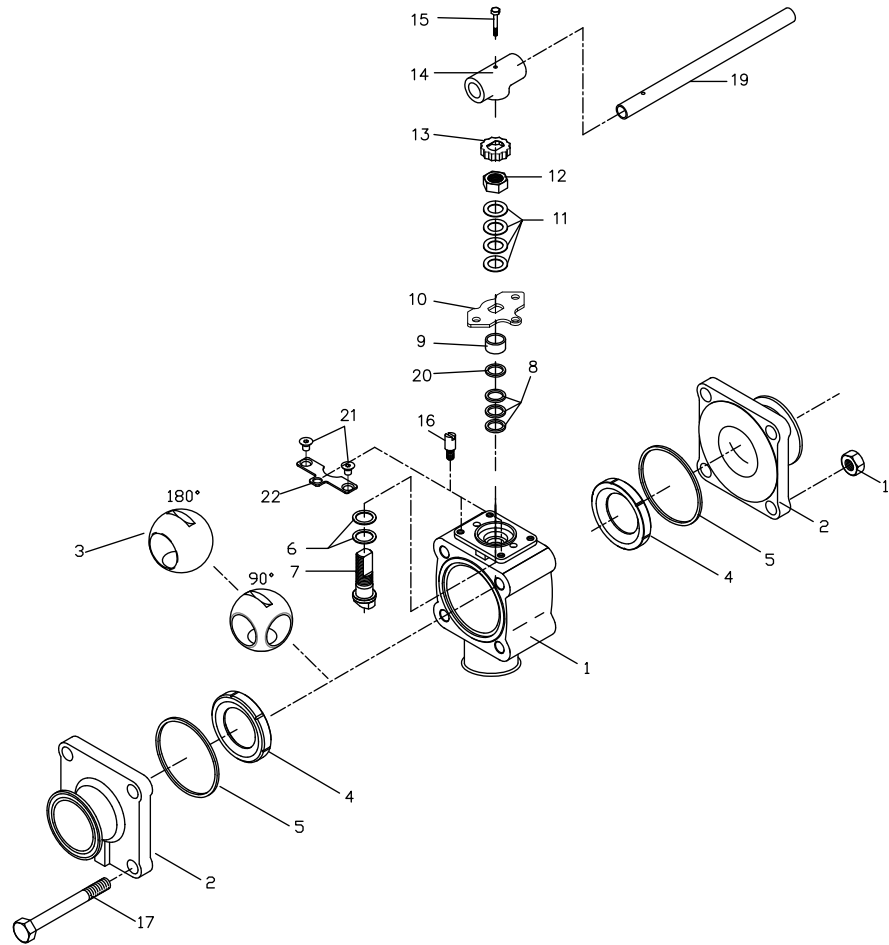
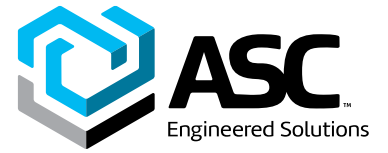


Parts & Materials (Sizes ½" – 2")

No.	Part Name	Qty	Materials
1	Body	1	316L Stainless Steel ASTM A351 CF3M
2	Pipe Ends	2	316L Stainless Steel ASTM A351 CF3M
3	Ball	1	316L Stainless Steel
4	Stem	1	316L Stainless Steel
5	Seat	2	TFM®, PTFE/RTFE/Cavity Filler PTFE
6	Body Seal	2/3	PTFE, TFM®
7	Thrust Bearing	1	TFM®
8	Thrust Bearing	1	TFM®
9	Stem Packing	3	TFM®
10	Seal Protector	1	TFM®
11	Gland	1	300 Series Stainless Steel
12	Belleville Washer	4	300 Series Stainless Steel

No.	Part Name	Qty	Materials
13	Packing Nut	1	300 Series Stainless Steel
14	Lock Tab	1	300 Series Stainless Steel
15	Lower Lock Latch	1	300 Series Stainless Steel
15B	Upper Lock Latch	1	300 Series Stainless Steel
15C	Latch Bolt	2	300 Series Stainless Steel
16	Handle	1	300 Series Stainless Steel
17	Lock Washer	1	300 Series Stainless Steel
18	Handle Nut (¼"-2")	1	300 Series Stainless Steel
19	Body Bolts	4/8	300 Series Stainless Steel
20	Nuts	4/8	300 Series Stainless Steel
21	Stop Pin (½")*	1 2	300 Series Stainless Steel

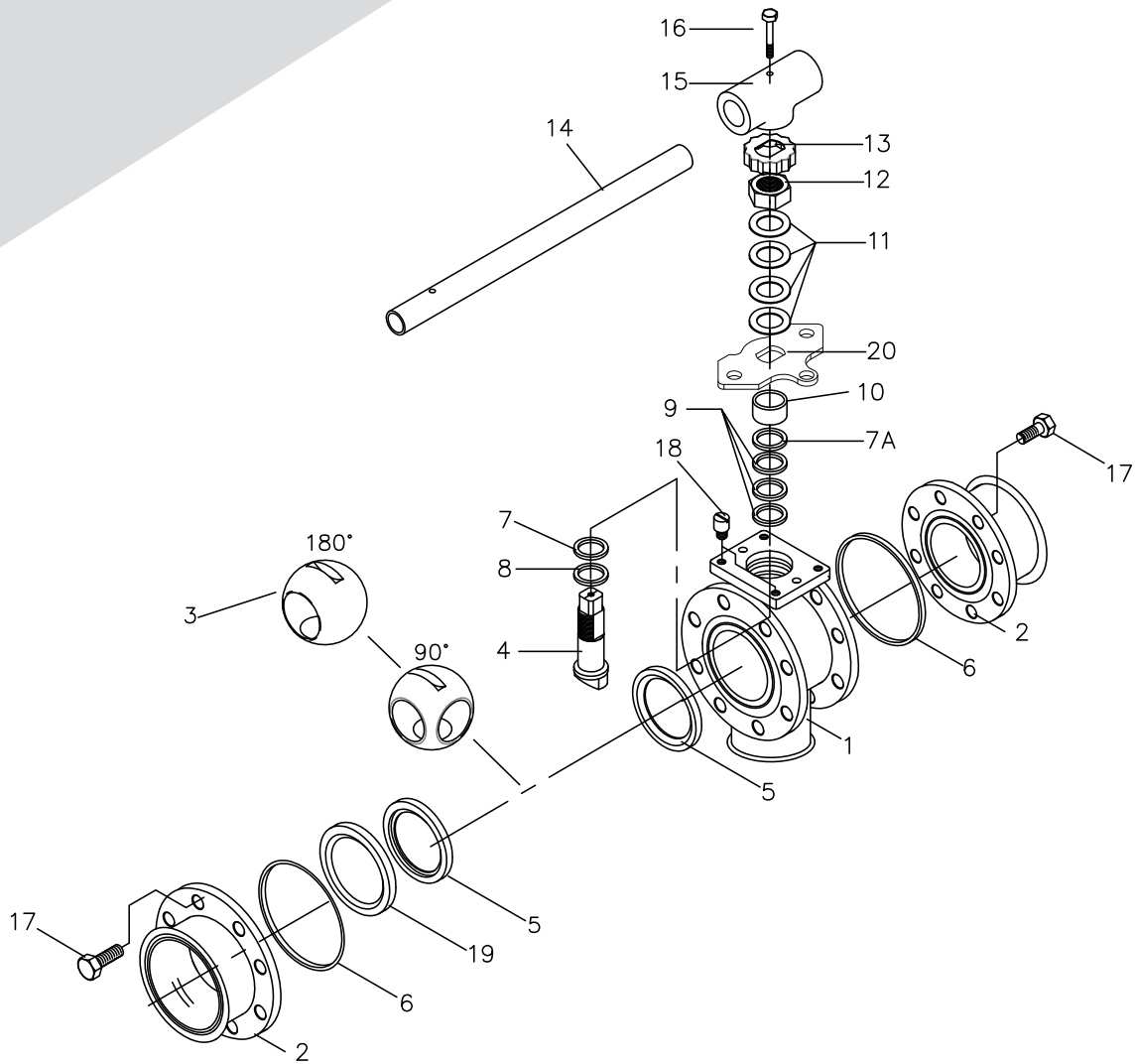
High Purity Tube Diverter Ball Valve Sharpe® Series D88



Parts and Materials (Sizes 2½")

No.	Part Name	Qty	Materials	No.	Part Name	Qty	Materials
1	Body	1	316L Stainless Steel ASTM A351 CF3M	12	Packing Nut	1	300 Series Stainless Steel
2	Pipe Ends	2	316L Stainless Steel ASTM A351 CF3M	13	Lock Tab	1	300 Series Stainless Steel
3	Ball	1	316L Stainless Steel	14	Wrench Block	1	300 Series Stainless Steel
4	Seat	2	TFM®, PTFE/RTFE/Cavity Filler PTFE	15	Handle Bolt	1	300 Series Stainless Steel
5	Body Seal	2/3	PTFE, TFM®	16	Stop Pin	1	300 Series Stainless Steel
6	Thrust Bearing	2	TFM®	17	Body Bolts	4/8	304 Stainless Steel
7	Stem	1	316L Stainless Steel	18	Body Nuts	4/8	300 Series Stainless Steel
8	Stem Seal	3	TFM®	19	Handle	1	300 Series Stainless Steel
9	Gland	1	300 Series Stainless Steel	20	Gland Washer	1	300 Series Stainless Steel
10	Stopper	1	300 Series Stainless Steel	21	Screw	2	304 Stainless Steel
11	Belleville Washer	4	300 Series Stainless Steel	22	Lower Stopper	1	316 Stainless Steel

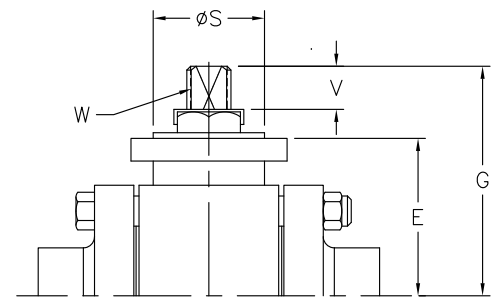
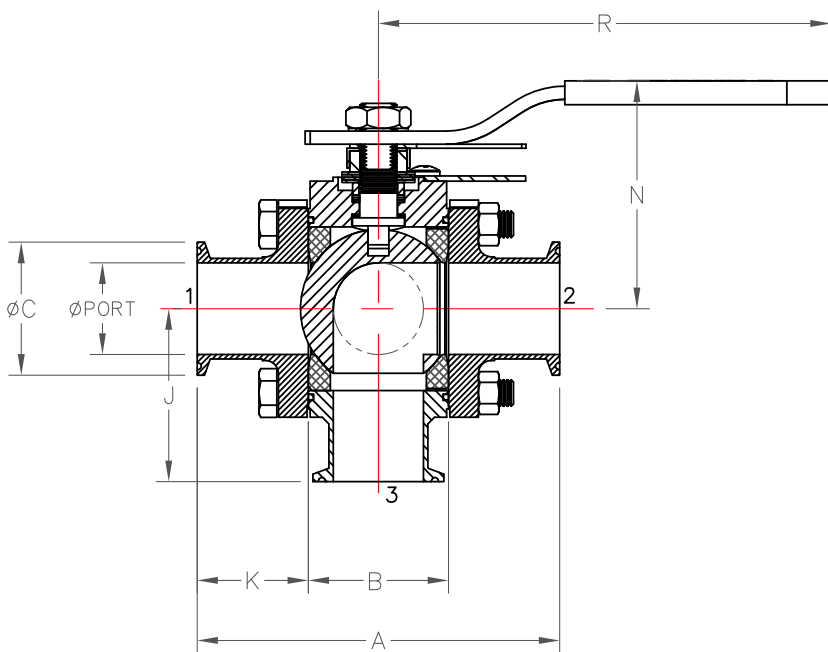
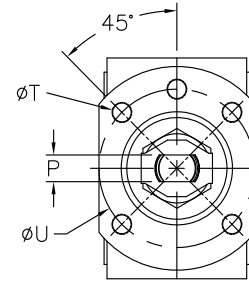
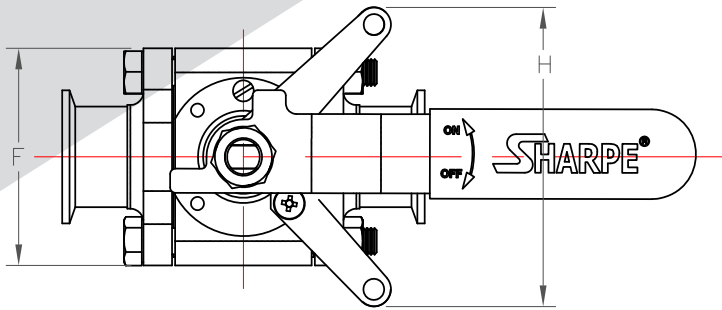
High Purity Tube Diverter Ball Valve Sharpe® Series D88



Parts and Materials (Sizes 3" – 4")

No.	Part Name	Qty	Material	No.	Part Name	Qty	Material
1	Body	1	316L Stainless Steel ASTM A351 CF3M	11	Belleville Washer	4	300 Series Stainless Steel
2	Pipe Ends	2	316L Stainless Steel ASTM A351 CF3M	12	Packing Nut	1	300 Series Stainless Steel
3	Ball	1	316L Stainless Steel	13	Lock Tab	1	300 Series Stainless Steel
4	Stem	1	316L Stainless Steel	14	Handle	1	300 Series Stainless Steel
5	Seat	2	TFM®, PTFE / RTFE / Cavity Filler PTFE	15	Wrench Block	1	300 Series Stainless Steel
6	Body Seal	2/3	PTFE, TFM®	16	Hex Head Bolt	1	300 Series Stainless Steel
7	Thrust Bearing	1	TFM®	17	Body Bolts	16/24	304 Series Stainless Steel
7a	Stem Location Ring	1	300 Series Stainless Steel	18	Stop Pin	1	300 Series Stainless Steel
8	Thrust Bearing	1	TFM®	19	Seat Retainer	1	300 Series Stainless Steel
9	Stem Packing	3	TFM®	20	Stopper	1	300 Series Stainless Steel
10	Gland	1	300 Series Stainless Steel				

High Purity Tube Diverter Ball Valve Sharpe® Series D88



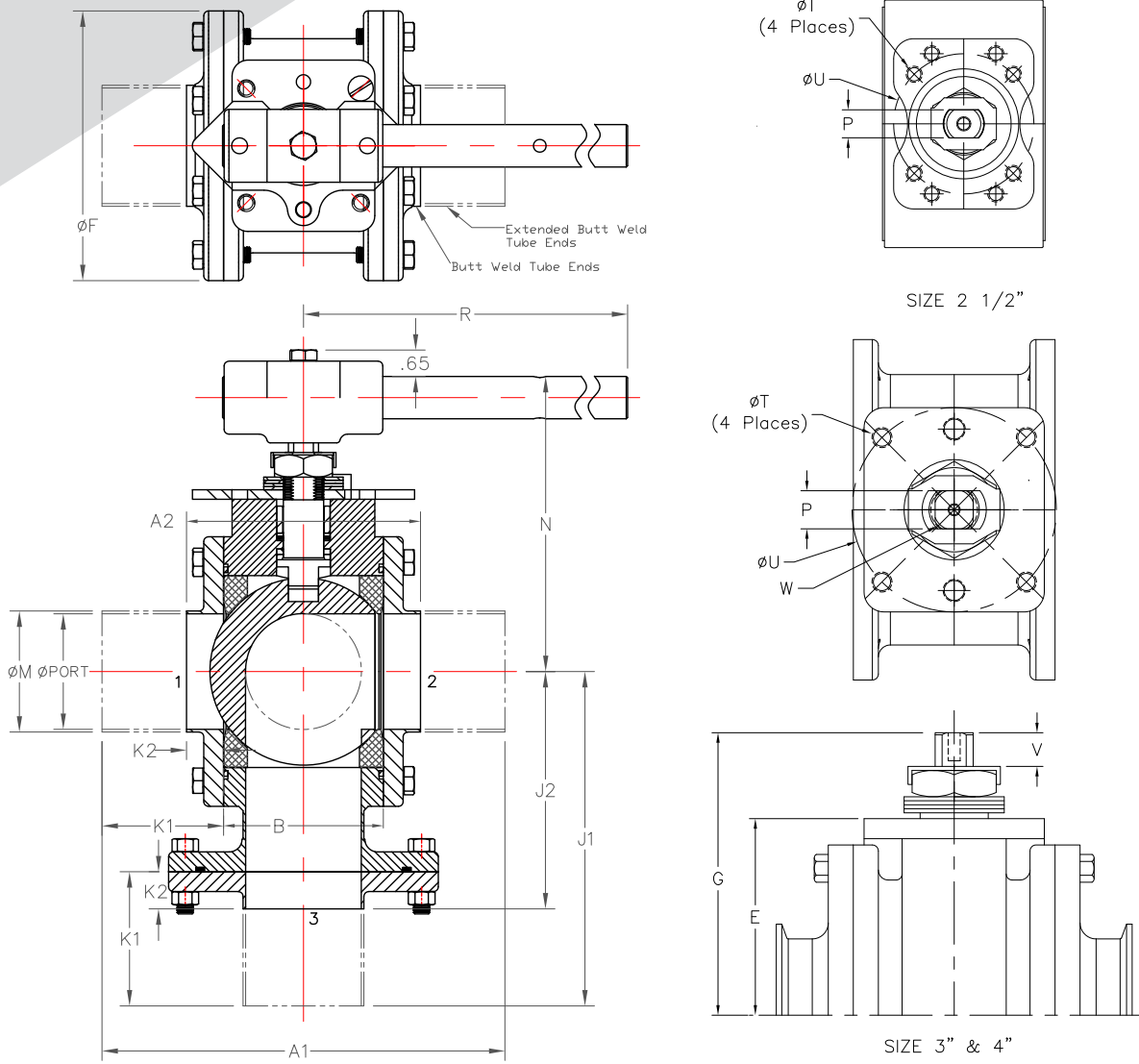
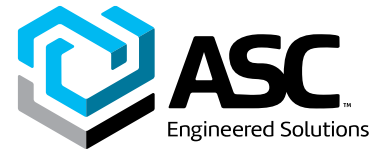
Dimensions (Sizes ½" – 2")

Size	Port	A	A1	A2	B	C	E	F	G	H	J	J1	J2	K	K1	K2	M	N	P	R	S	T	U	V	W
½	0.370	3.50	5.50	2.51	0.97	0.99	1.10	1.75	1.55	-	1.89	4.15	2.65	1.26	2.27	0.77	0.50	2.14	0.220	4.50	0.98	M5 x .8	1.42 (F03)	0.45	⅜-24
¾	0.618	4.00	6.00	3.03	1.05	0.99	1.16	2.05	1.62	2.18	1.97	4.32	2.84	1.47	2.47	0.99	0.75	2.20	0.220	4.50	0.98	M5 x .8	1.42 (F03)	0.39	⅜-24
1	0.870	4.50	6.50	3.54	1.54	1.98	1.62	2.42	2.31	3.30	2.15	4.56	3.08	1.47	2.48	1.00	1.00	2.59	0.295	5.75	1.18	M5 x .8	1.65 (F04)	0.65	7/16-20
1-½	1.366	5.50	7.50	4.51	2.13	1.98	1.90	3.16	3.07	4.08	2.80	5.45	3.95	1.69	2.69	1.19	1.50	3.18	0.343	7.00	1.38	M6 x 1.0	1.97 (F05)	0.63	7/16-20
2	1.870	6.25	8.00	5.29	2.65	2.52	2.23	3.56	3.42	4.08	2.90	5.91	4.54	1.80	2.69	1.32	2.00	3.52	0.343	7.00	1.38	M6 x 1.0	1.97 (F05)	0.67	9/16-20

Note:

Due to continuous development of our product range, we reserve the right to change the dimensions and information for this product as required.

High Purity Tube Diverter Ball Valve Sharpe® Series D88

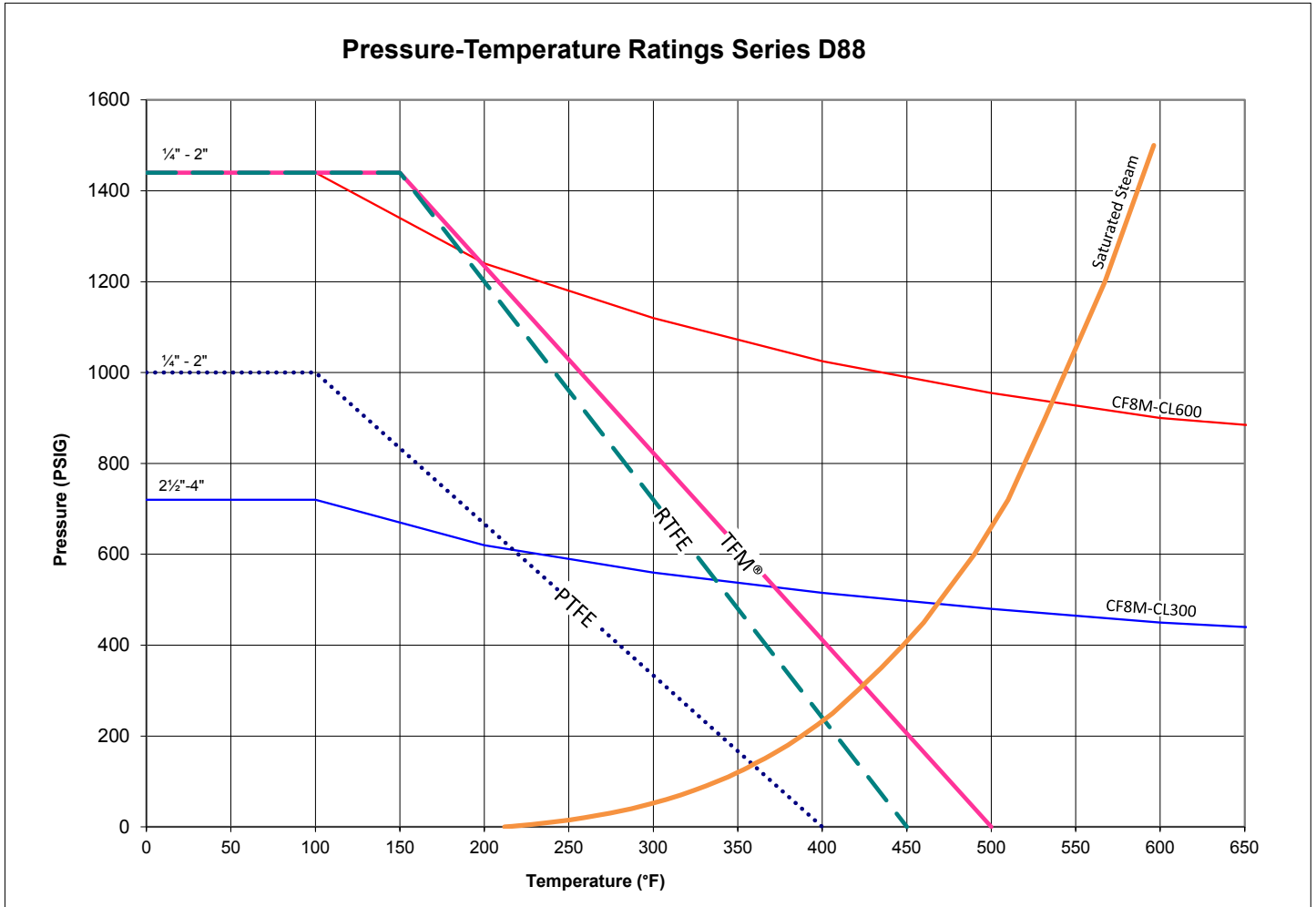


Dimensions (Sizes 2½" – 4")

Size	Port	A	A1	A2	B	C	E	F	G	J	J1	J2	K	K1	K2	M	N	P	R	S	T	U	V	W
2-½	2.370	6.75	10.00	5.77	3.19	3.05	3.25	4.57	4.85	3.45	6.34	4.94	1.77	2.69	1.29	2.50	5.73	0.551	8.74	2.16	M8 x 1.25	2.75 (F07)	0.44	M20 x 2.5
3	2.870	6.75	10.62	5.80	3.96	3.58	4.28	6.44	6.02	5.00	8.30	5.89	1.39	3.33	0.92	3.00	7.04	0.748	13.74	-	M10 x 1.5	4.01 (F10)	0.75	1-14 UNS
4	3.831	8.25	11.39	7.07	4.73	4.68	4.81	8.12	6.61	5.00	9.50	7.34	1.76	3.33	1.17	4.00	7.57	0.748	13.74	-	M10 x 1.5	4.01 (F10)	0.89	1-14 UNS

Note:

The dimensions above are for information only. Please refer to Sharpe® Valves if you need dimensions for construction.

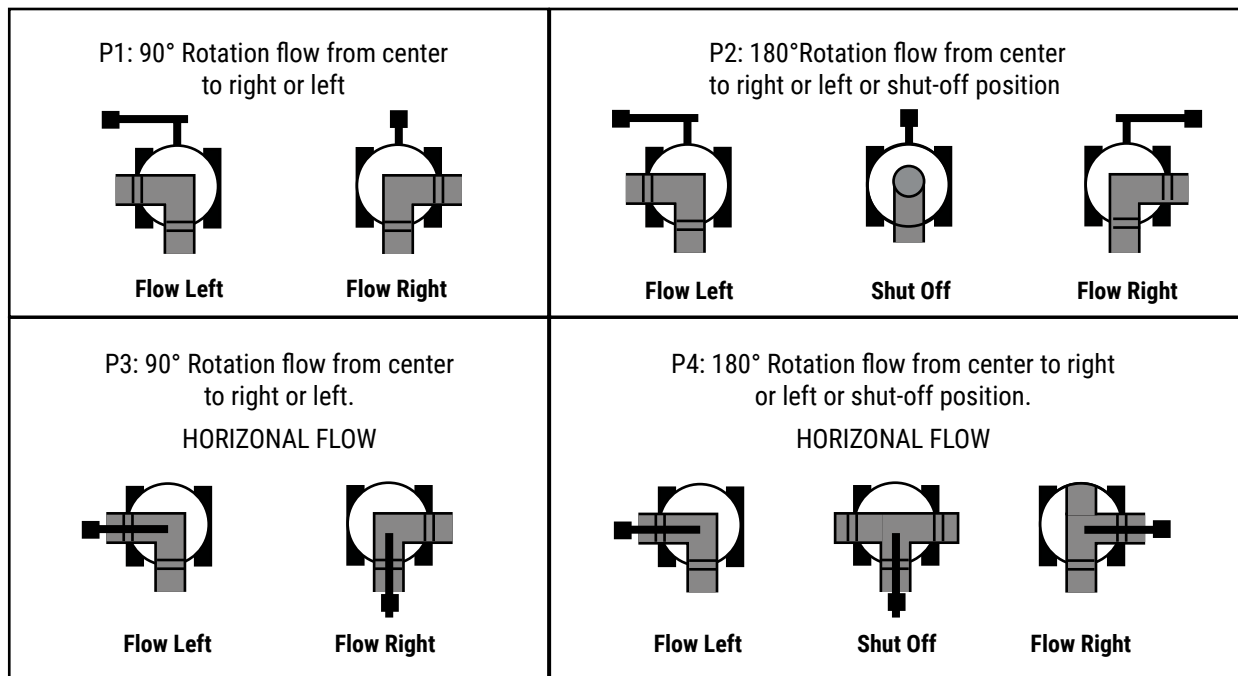


Note:
 *Ratings are for the valve body, specific ends may cause the ratings to change.

Technical Information

Size	C _v
1/2	3.2
3/4	5
1	10
1-1/2	24
2	36
2-1/2	60
3	130
4	240

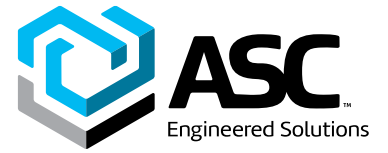
Flow Pattern



Note:

The Series D88 Valves are not to be used as an isolation valve.

High Purity Tube Diverter Ball Valve Sharpe® Series D88



How to order Series D88

Size	Series	Seat	Ends (Side)	Options
½	D88	R RTFE	CE Clamp	PP Purge Port*
¾		T PTFE	XBTE Butt-weld Tube Extended	
1	Body & Ends	M TFM®	BW Butt-weld Tube Short	
1-½	6 316L Stainless Steel	C Cavity Filler - PTFE		
2	Ball & Stem		Flow Plan	
2-½	6 316 Stainless Steel	Seal	P1 See Chart Above	
3		T PTFE	P2 See Chart Above	
4		M TFM®	P3 See Chart Above	
			P4 See Chart Above	
			Flow Plan	
			1 240 Grit	
			2 320 Grit*	
			3 240 Grit EP*	
			4 320 Grit EP*	

Note:

*POA

TFM® is a registered trademark of Dyleon, LLC .

Due to continuous development of our product range, we reserve the right to change the dimensions and information for this product as required.

About ASC Engineered Solutions

ASC Engineered Solutions is defined by quality—in its products, services and support. With more than 1,400 employees, the company's portfolio of precision-engineered piping support, valves and connections provides products to more than 4,000 customers across industries, such as mechanical, industrial, fire protection, oil and gas, and commercial and residential construction. Its portfolio of leading brands includes ABZ Valve®, AFCON®, Anvil®, Anvil EPS, Anvil Services, Basic-PSA, Beck®, Catawissa, Cooplet®, FlexHead®, FPPI®, Grevlok®, J.B. Smith, Merit®, North Alabama Pipe, Quadrant®, SCI®, Sharpe®, SlideLOK®, SPF® and SprinkFLEX®. With headquarters in Commerce, CA, and Exeter, NH, ASC also has ISO 9001:2015 certified production facilities in PA, TN, IL, TX, AL, LA, KS, and RI.



asc-es.com

Building connections that last™

FC-DS-SERIES-D88-v01 20210921

