

Building connections that last™

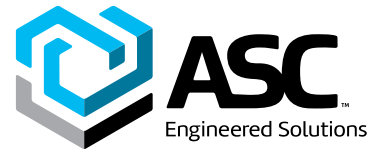


Sharpe® Series D54

Flanged Standard Port Diverter
Ball Valve Class 150 Datasheet



Flanged Standard Port Diverter
Ball Valve Class 150
Sharpe® Series D54



Design & Features

Body Material

316 Stainless Steel

Stem Design

Live-loaded, bottom entry, blowout proof stem featuring packing that extends valve cycle life over conventional ball valves and is best choice for actuation.

Stem seals are live-loaded using Belleville springs to provide consistent sealing forces, reducing or eliminating the need for frequent seal adjustment.

ISO 5211 Integral Mounting Pad

Ideal for actuation.

Centering lip feature assures precise alignment of bracket, stem and coupler.

Actuators may be retrofitted on existing Sharpe® Series D54 without disruption of line integrity.

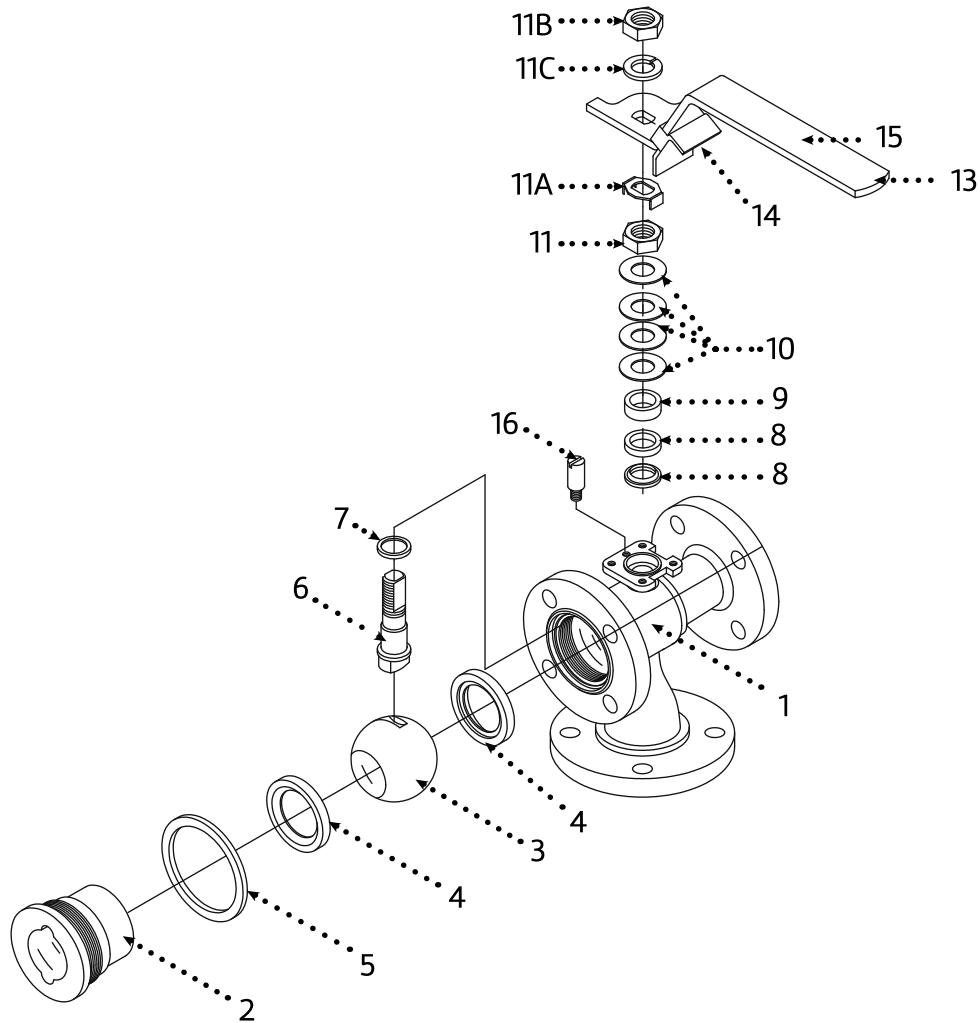
Allows for secondary containment unit to be added when necessary.

Lockable Handle

All Sharpe® Series D54 valves are supplied with lockable lever or pipe handles.



Flanged Standard Port Diverter
Ball Valve Class 150
Sharpe® Series D54

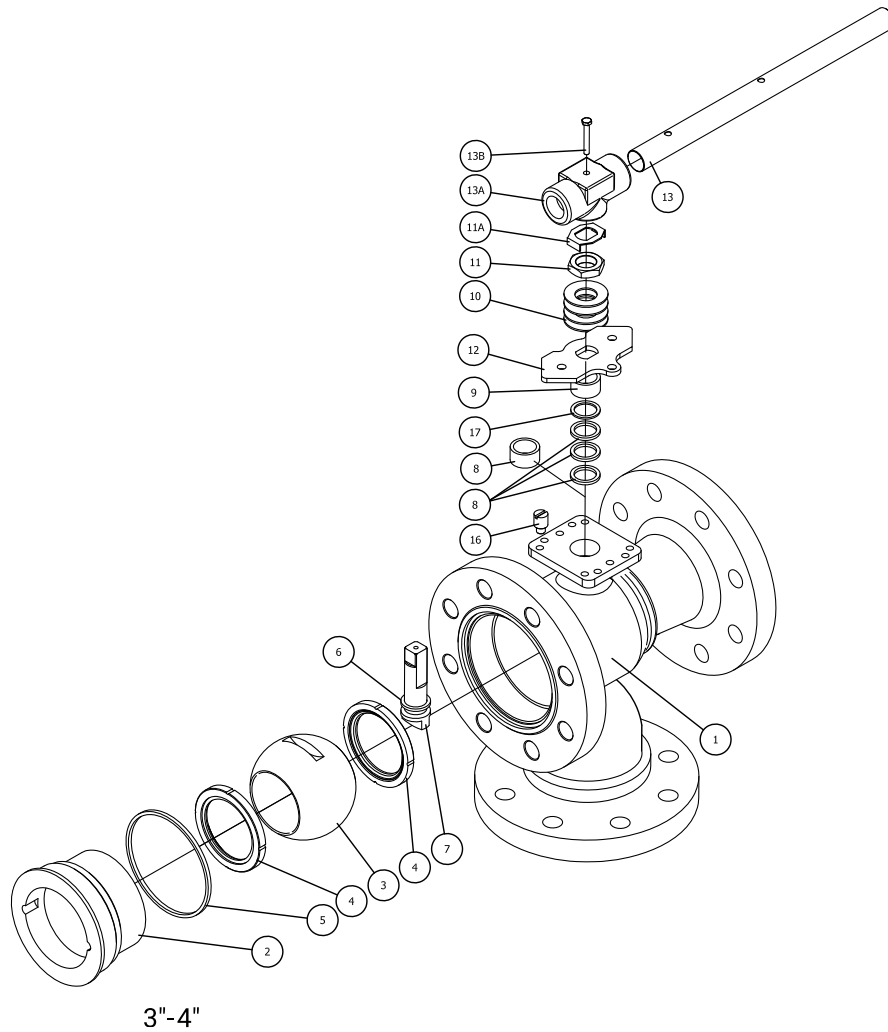


Parts & Materials 1" - 2½"

No.	Part Name	Qty	Material
1	Body	1	316 Stainless Steel ASTM A351 CF8M
2	End Piece	1	316 Stainless Steel ASTM A351 CF8M
3	Ball	1	316 Stainless Steel
4	Seat	2	TFM™, PTFE, Nova
5	Body Seal	1	PTFE or Graphite
6	Stem	1	316 Stainless Steel
7	Thrust Bearing	1	RTFE
8	Stem Packing	2/3	RTFE
9	Gland	1	300 Series Stainless Steel

No.	Part Name	Qty	Material
10	Belleville Washer	4	300 Series Stainless Steel
11	Packing Nut	1	300 Series Stainless Steel
11A	Lock Tab	1	300 Series Stainless Steel
11B	Handle Nut	1	300 Series Stainless Steel
11C	Lock Washer	1	300 Series Stainless Steel
13	Handle	1	300 Series Stainless Steel (1" - 2") Galvanized Steel (2-½")
14	Locking Device (1" - 2")	1	300 Series Stainless Steel
15	Sleeve	1	PVC
16	Stop Pin	1	300 Series Stainless Steel

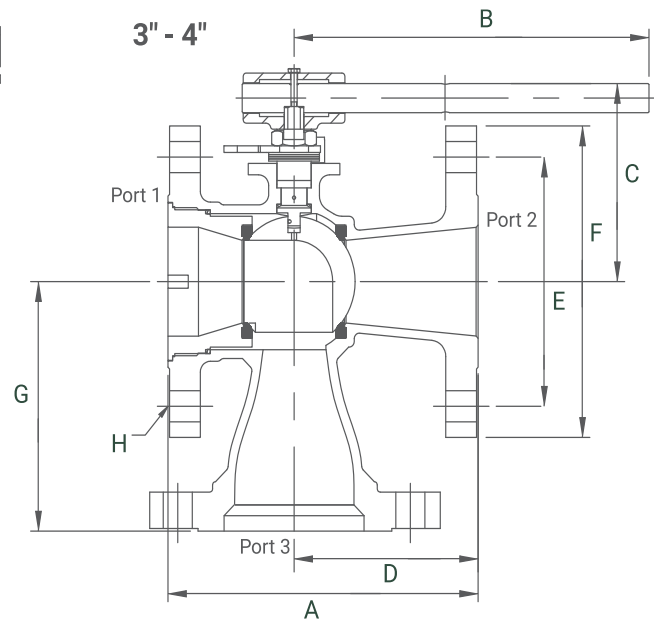
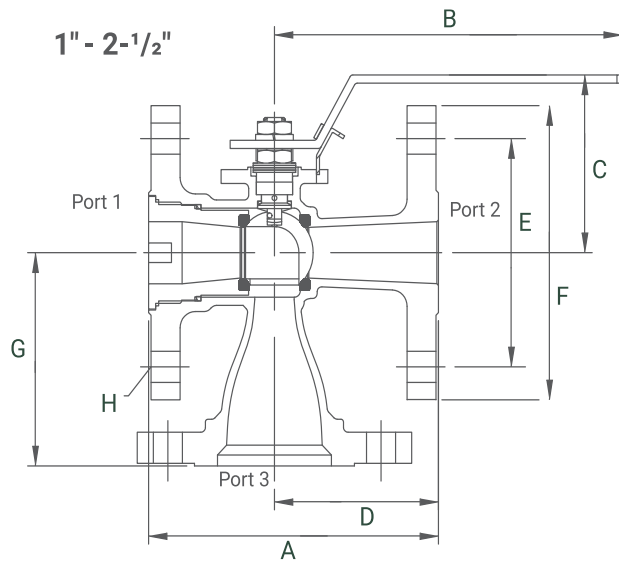
Flanged Standard Port Diverter
Ball Valve Class 150
Sharpe® Series D54



Parts & Materials 3" - 4"

No.	Part Name	Qty	Material	No.	Part Name	Qty	Material
1	Body	1	316 Stainless Steel ASTM A351 CF8M	10	Belleville Washer (1" to 4")	4	300 Series Stainless Steel
2	End Piece	1	316 Stainless Steel ASTM A351 CF8M	11	Packing Nut (1" to 4")	1	300 Series Stainless Steel
3	Ball	1	316 Stainless Steel	11A	Lock Tab (1" to 4")	1	300 Series Stainless Steel
4	Seat	2	TFM™, PTFE, RTFE or Nova	12	Stopper	1	300 Series Stainless Steel
5	Body Seal	1	PTFE or Graphite	13	Handle	1	Galvanized Steel
6	Thrust Bearing	1	RTFE	13A	Wrench Block	1	300 Series Stainless Steel
7	Stem	1	316 Stainless Steel	13B	Hex Head Bolt	1	300 Series Stainless Steel
8	Stem Packing	1/2/3	RTFE or Graphite	16	Stop Pin	1	300 Series Stainless Steel
9	Gland	1	300 Series Stainless Steel	17	Stem Locking Ring	1	300 Series Stainless Steel

Flanged Standard Port Diverter
Ball Valve Class 150
Sharpe® Series D54



Dimensions

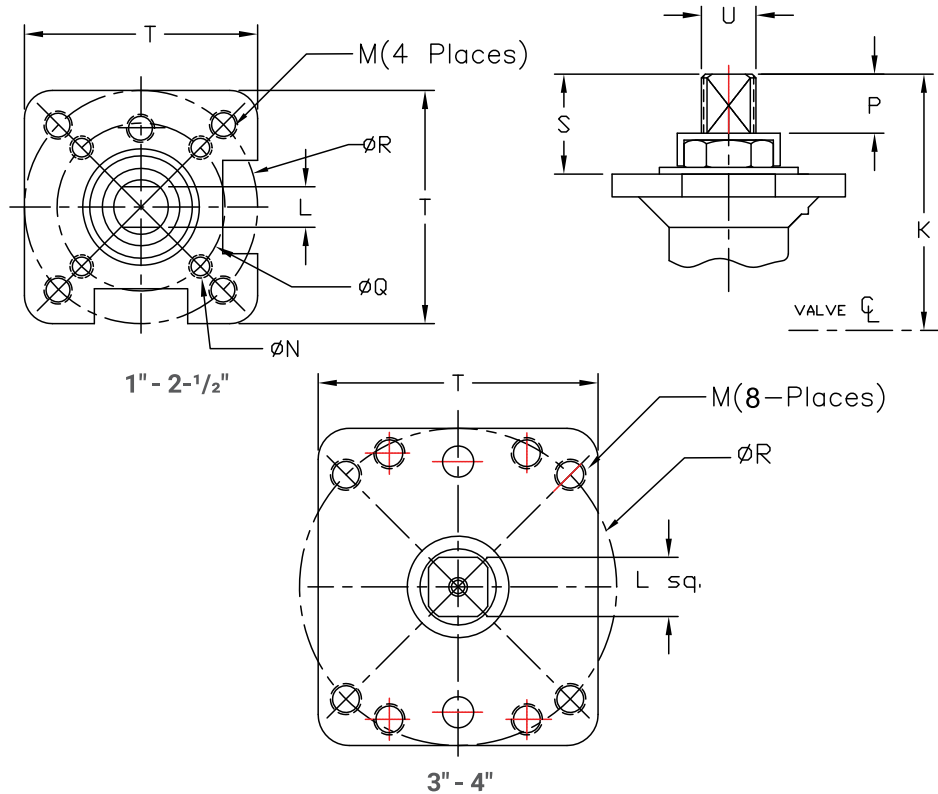
Size	A	B	C	D	E	F	G	H
1	5.00	4.75	3.60	2.50	3.12	4.25	3.13	4
1-½	6.50	9.00	4.00	3.64	3.88	5.00	4.00	4
2	7.00	9.00	4.50	4.41	4.75	6.00	5.00	4
2-½	7.50	9.00	5.50	3.94	5.50	7.00	5.50	4
3	8.00	13.74	6.57	4.00	6.00	7.50	6.00	4
4	9.00	13.74	6.95	4.49	7.50	9.00	7.15	8

Size	Port 1 Port 2	Port 3	Approx. Weight (lbs.)	C _v
1	0.79	0.62	8.5	15
1-½	1.20	1.05	13.9	36
2	1.50	1.38	22.4	54
2-½	2.00	1.61	40.8	90
3	2.50	2.07	46.8	195
4	3.00	2.47	67.3	360

Note:

The dimensions above are for information only. Please refer to Sharpe® Valves if you need dimensions for construction.

Flanged Standard Port Diverter
Ball Valve Class 150
Sharpe® Series D54



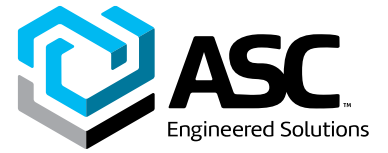
Dimensions

Size	K	L	M	P	R	S	T	U
1	2.22	.224	M6 x 1.0	0.35	1.67 (F05)	0.75	1.69	0.375
1-½	3.24	.343	M8 x 1.25	0.71	2.75 (F07)	1.23	2.75	0.563
2	3.48	.343	M8 x 1.25	0.56	2.75 (F07)	1.10	2.75	0.563
2-½	3.74	.343	M8 x 1.25	0.58	2.75 (F07)	1.10	2.75	0.563
3	5.71	.748	M10 x 1.5	0.69	4.02 (F10)	1.87	3.54	0.748
4	6.15	.748	M10 x 1.5	0.69	4.02 (F10)	1.87	3.54	0.748

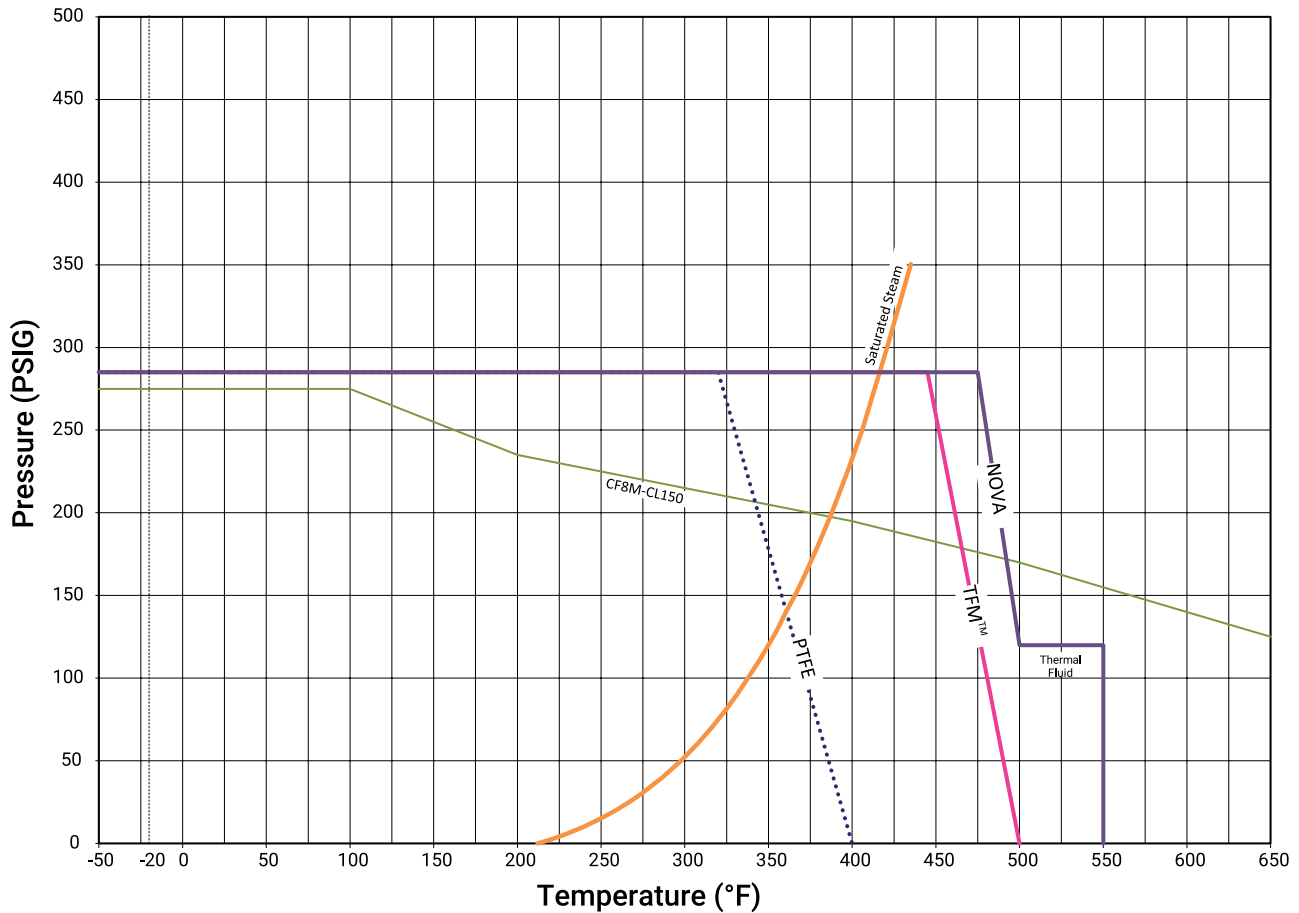
Note:

The dimensions above are for information only. Please refer to Sharpe® Valves if you need dimensions for construction.

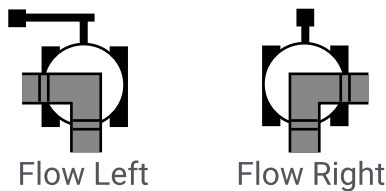
Flanged Standard Port Diverter
Ball Valve Class 150
Sharpe® Series D54



Pressure - Temperature Ratings Series D54



Side View of Valve (handle position shown)
P1**: 90° Rotation. Flow from center to right or left



Left to Right: Handle turned counterclockwise
** Not to Be used as an isolation valve

Applicable Standards

Wall Thickness	ASME B16.34
Face to Face Dimensions	ASME B16.10
Flange Dimensions	ASME B16.5
Pressure Test	API 598

Note: 3M™ Dyneon™ TFM™ are trademarks owned by 3M.



Flanged Standard Port Diverter
Ball Valve Class 150
Sharpe® Series D54



How to order Sharpe® Series D54

Size	Series	Class	Alloy	Seat	Seal	Flow Plan
1	D54	11 150	6 Stainless Steel	T PTFE	T PTFE	P1 90° Rotation. Flow from center to left or right
1-½	The series D54 is a diverter valve and should not be used as an isolation valve.			M TFM™	G Graphite	
2				N Nova		
2-½						
3						
4						

Note:

3M™ Dyneon™ TFM™ are trademarks owned by 3M.
Responsibility for proper selection, use and maintenance of any product remains solely with the purchaser and end user.
We reserve the right to modify or improve the designs or specifications of any product at any time without notice.

About ASC Engineered Solutions

ASC Engineered Solutions is defined by quality—in its products, services and support. With more than 1,400 employees, the company's portfolio of precision-engineered piping support, valves and connections provides products to more than 4,000 customers across industries, such as mechanical, industrial, fire protection, oil and gas, and commercial and residential construction. Its portfolio of leading brands includes ABZ Valve®, AFCON®, Anvil®, Anvil EPS, Anvil Services, Basic-PSA, Beck®, Catawissa, Cooplet®, FlexHead®, FPPI®, Gruklok®, J.B. Smith, Merit®, North Alabama Pipe, Quadrant®, SCI®, Sharpe®, SlideLOK®, SPF® and SprinkFLEX®. With headquarters in Commerce, CA, and Exeter, NH, ASC also has ISO 9001:2015 certified production facilities in PA, TN, IL, TX, AL, LA, KS, and RI.



asc-es.com

Building connections that last™

FC-DS-Series-D54-v02 20230125

