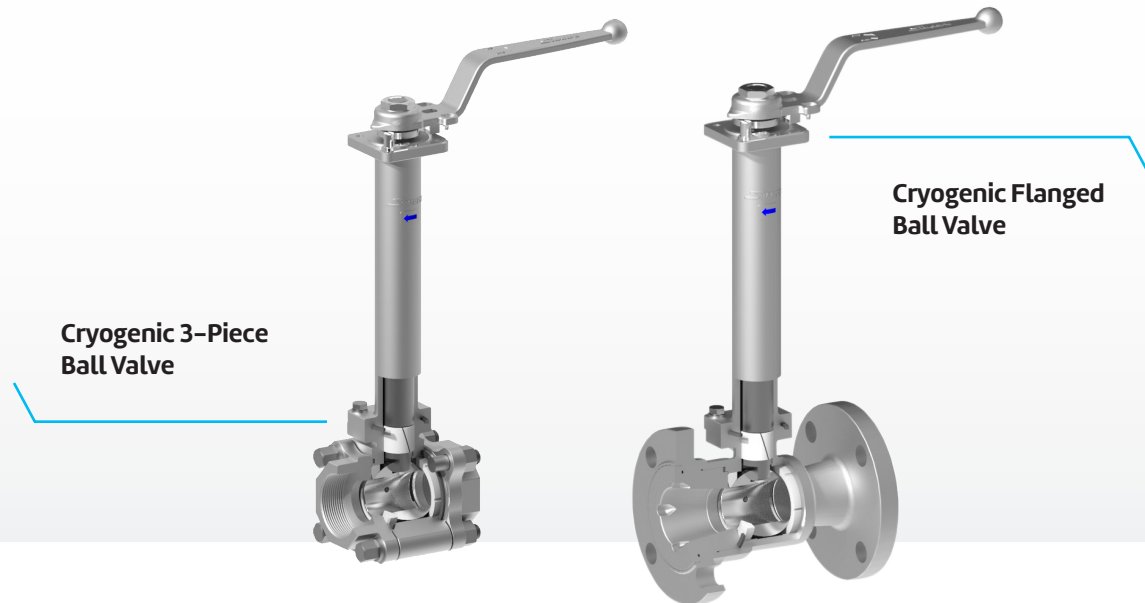


# Sharpe® Cryogenic Valve Solutions

## Ball Valves for Cryogenic & Fire-Safe Cryogenic Applications



### Setting the industry standard for excellence.

#### Description

Designed for safety, process uptime and production, Sharpe cryogenic ball valves are well-known for delivering tight shutoff, enhanced performance, and long-term reliability at extremely low temperatures.

From years of experience and Sharpe's comprehensive testing programs, individual components and their interaction with other valve components have been optimized for the different rates of material contraction and expansion in cryogenic service.

Fire-safe, cryogenic ball valves meet API Standard 607, 7th edition fire-testing.

Please contact your local ASC Engineered Solutions sales representative.



[asc-es.com](http://asc-es.com)

Building connections that last™

# Ball Valves for Cryogenic & Fire-Safe Cryogenic Applications

## Cryogenic 3-Piece & Flanged Ball Valves



### Features & Advantages

- One-Piece, cast extension (gas column) protecting stem seal integrity
  - Not fabricated
  - Not welded
- Solid, one-piece, 316 stainless steel stem
- Larger and wider stem-to-ball contact area for higher torque applications
- Standard upstream venting dissipates cavity pressure surges from liquid-gas phase transformation
- Visual position indicator verifies ball position and location of upstream vent in ball
- Alignment pin assures proper orientation of the ball during repair
- Rigorous clean-room assembly procedures ensure performance

### Cryogenic 3-Piece Ball Valves

Series	Description	Port	Pressure Class	Size Range
C80	Cryogenic, 3-Piece Ball Valve	Standard	ASME Class 600, Class 300	½" - 4"
FSC80	API 607 7th Edition Version			
C89	Cryogenic, 3-Piece Ball Valve	Full	ASME Class 600, Class 300	¼" - 3"
FSC89	API 607 7th Edition Version			

### Cryogenic Flanged Ball Valves

Series	Description	Port	Pressure Class	Size Range
C70	Cryogenic, Flanged Ball Valve	Standard	ASME Class 150, Class 300	½" - 4"
FSC70	API 607 7th Edition Version			
C74	Cryogenic, Flanged Ball Valve	Full	ASME Class 150, Class 300	1" - 4"
FSC74	API 607 7th Edition Version			



asc-es.com

Building connections that last™

