

SprinkFlex® Hose Non-Braided Fig. HN-7

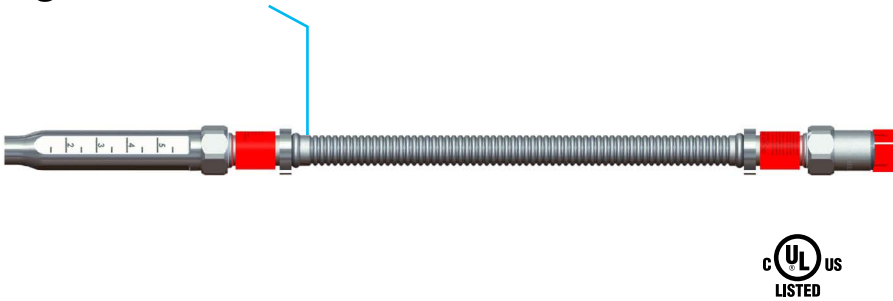


Fig. HN-7 Brackets

Bracket Figure Number & Size	cULus Listed	SprinkFlex Historical Model Number
BKT-IPT, 24in	✓	IPT-24-BKT1
BKT-IPT, 48in		IPT-48-BKT1

Note: SprinkFlex Historical Model Numbers may be used to verify cULus Listings.

Product Specifications

Assembly Length

- 28in
- 40in
- 48in
- 59in
- 71in

Straight Outlet Drop

- ½ NPS
- ¾ NPS

Inlet Nipple

- 1 NPS

Pressure Rating

200psi (1,379kPa)

Minimum Bend Radius

3.0in (76.2mm)

Ambient Temperature

225°F (107°C) Max

Material

- 304 Stainless Steel Hose
- Carbon Steel Fittings

Ordering

Specify figure number, length, outlet size, & description.



PROJECT INFORMATION	APPROVAL STAMP
Project:	Approved
Address:	Approved as noted
Contractor:	Not approved
Engineer:	Remarks:
Submittal Date:	
Notes 1:	
Notes 2:	

SprinkFlex® Hose Non-Braided Fig. HN-7

Fig. HN-7 cULus Listing per UL 2443

Assembly Length	Equivalent Length				Max # of 90° Bends
	½ NPS Outlet		¾ NPS Outlet		
	ft	m	ft	m	
28	28	8.5	28	8.5	2
40	52	15.8	52	15.8	3
48	64	19.5	64	19.5	3
59	72	21.9	72	21.9	3
71	94	28.7	94	28.7	3

1. Equivalent Length of NPS 1 (DN25) Sch 40 Pipe.
2. Equivalent Lengths listed above assume the maximum number of 90° bends.
3. A 90° bend can be achieved with two 45° bends or three 30° bends.

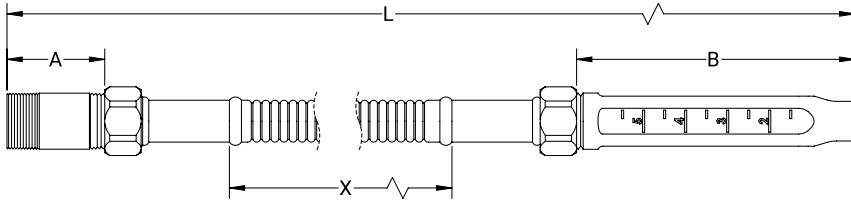


Fig. HN-7 Dimensions & Model Number

Assembly Length	True Length (L)		Corrugation Length (X)		Inlet Nipple Length (A)		Outlet Drop Length (B)		SprinkFlex Historical Model No.	
	in	mm	in	mm	in	mm	in	mm	½ Outlet	¾ Outlet
28	27.6	700	15.4	390					HN28H-7	HN28T-7
40	39.4	1000	27.2	690					HN40H-7	HN40T-7
48	47.2	1200	35.0	890	2.5	63.5	6.8	172.2	HN48H-7	HN48T-7
59	59.1	1500	45.7	1160					HN59H-7	HN59T-7
71	70.9	1800	58.7	1490					HN71H-7	HN71T-7



asc-es.com

Building connections that last™

SprinkFlex® Hose Non-Braided Fig. HN-7

Connection to the Branch

1. Separate the threaded inlet nipple (if necessary) from the flexible hose. Apply pipe sealant or tape to the NPT thread on the threaded inlet nipple and install into the branch outlet.
Note: Only place the pipe wrench on the unthreaded portion of the inlet nipple.
2. Examine the O-ring in the threaded hex union attached to the end of the hose. Ensure it is seated properly and free of debris.
3. Ensure the arrow on the hose is pointing in the direction of flow. Tighten the threaded hex union at the end of the corrugated hose to the inlet nipple. Hand tight plus ½ turn (15ft-lbs).

Bending the Hose

1. The hose may be bent to ensure the inlet nipple and outlet drop are in the desired locations.
2. The hose should never be bent to a radius less than minimum listed bend radius. The bend radius is defined to the center of the hose.
3. The hose should not be bent within 2½in of the threaded hex union at either end of the hose.
4. The hose must have at least one 90° bend. A 90° bend can be achieved with two 45° bends or three 30° bends.
5. For best performance, the bends in the hose should be as large and smooth as possible.

Connection to the Bracket

1. Installation of the outlet drop to the bracket shall be per the bracket's installation instructions. The bracket shall be listed for installation with the HN-7. See Page 1 for Listed and Approved brackets.
2. Examine the O-ring in the threaded hex union attached to the end of the hose. Ensure it is seated properly and free of debris.
3. Tighten the threaded hex union at the end of the corrugated hose to the outlet drop. Hand tight plus ½ turn (15ft-lbs)

Connection to the Sprinkler Head

1. Installation of the sprinkler head into the outlet drop shall be per the sprinkler manufacturer's installation instructions.

General Installation Notes

1. Never apply a wrench to the corrugated hose.
2. The Fig HN-7 may be installed in any direction from the branch.
3. If installing a sprinkler to a bracket after installation, it is best practice to prevent twisting of the bracket and hose by holding the outlet drop with a wrench.



asc-es.com

Building connections that last™