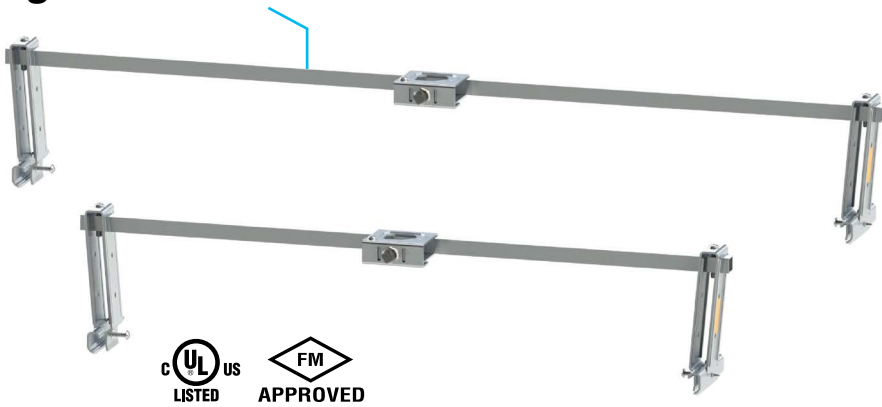


SprinkFlex® Infinite Position Tall Bracket Fig. BKT-IPT



Product Specifications

Bracket Length

- 24in
- 48in

Material

Carbon Steel

Applications

- Suspended Ceilings per ASTM C635 & C636
- Wood Framing – Gypsum or Dry Wall
- Steel Framing – Gypsum or Dry Wall

Ordering

Specify figure number, length, & description

Fig. BKT-IPT cULus & FM Listed Hose & Components

Hose & Component Figure #	cULus Listed		FM Approved	
	24in	48in	24in	48in
HB1 & HB1C	✓		✓	
HB-7 & HBC-7	✓		✓	
HN-7	✓			
SFB-4 & SFBC-4			✓	
SFN-4				

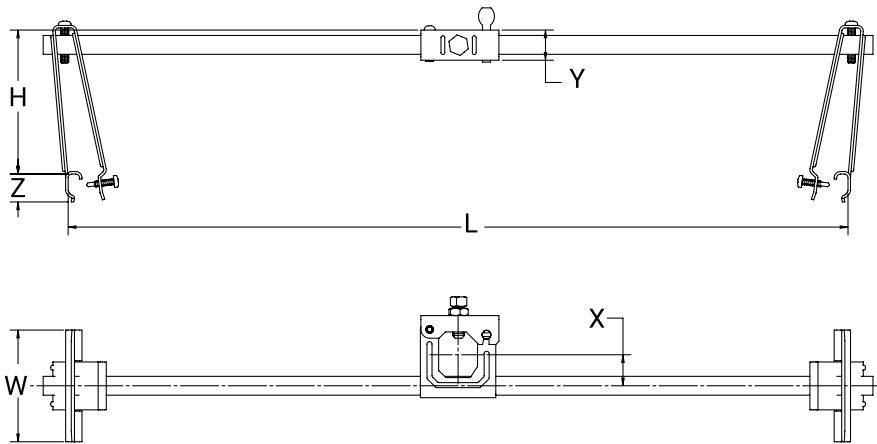


Fig. BKT-IPT Dimensions & Model Number

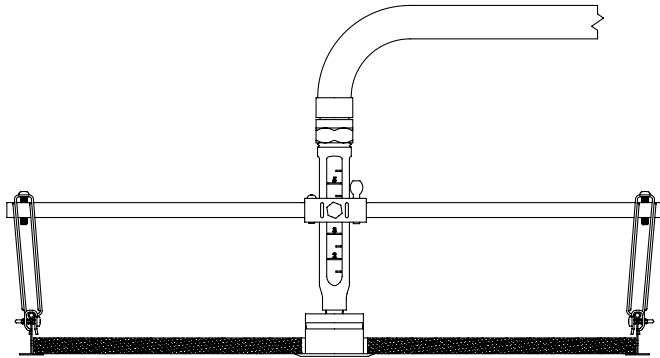
L	W	H	X	Y	Z	SprinkFlex Historical Model Number
in/mm	in/mm	in/mm	in/mm	in/mm	in/mm	
24 610	3.50	4.50	1.00	0.95	0.88	IPT-24-BKT1
48 1219	88.9	114.3	25.4	24.1	22.4	IPT-48-BKT1



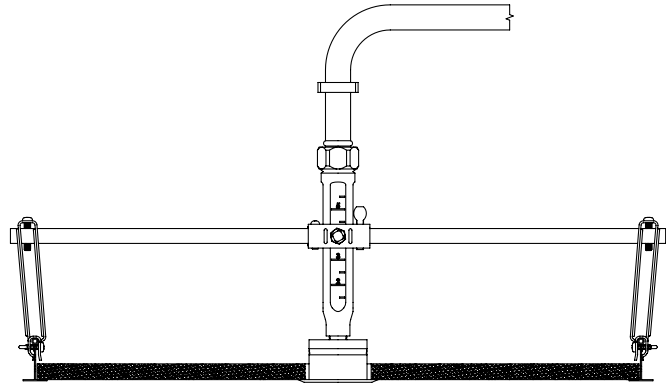
PROJECT INFORMATION	APPROVAL STAMP
Project:	Approved
Address:	Approved as noted
Contractor:	Not approved
Engineer:	Remarks:
Submittal Date:	
Notes 1:	
Notes 2:	

Fig. BKT-IPT – SprinkFlex® Infinite Position Tall Bracket Applications

Suspended Ceilings

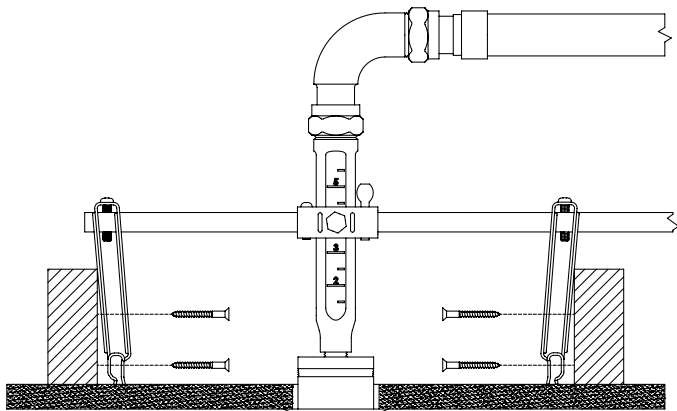


Shown with HB1

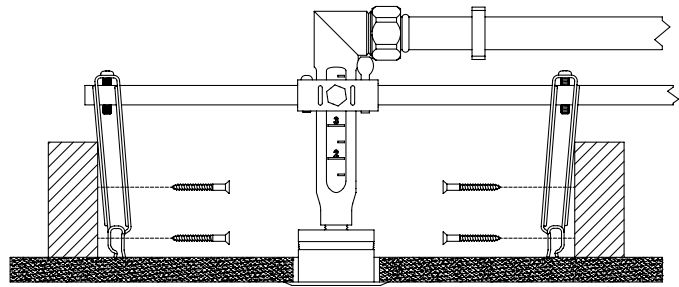


Shown with HB-7

Wood Framing - Gypsum or Dry Wall

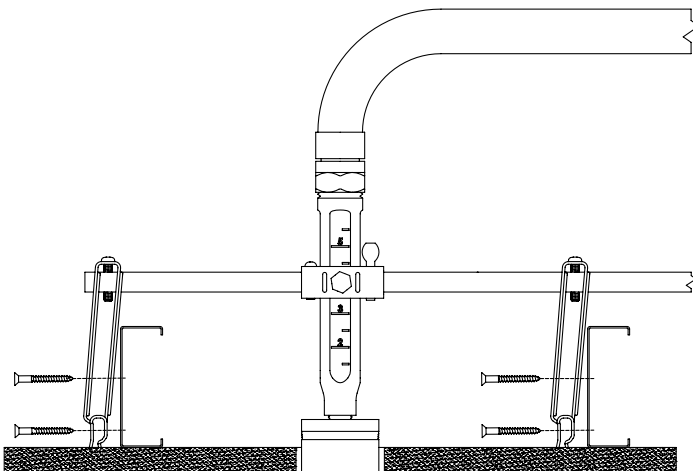


Shown with HB1 & HB1C Elbow



Shown with HB-7 & HBC-7 Elbow Drop

Steel Framing - Gypsum or Dry Wall



Shown with HB1



asc-es.com

Building connections that last™

Fig. BKT-IPT SprinkFlex® Infinite Position Tall Bracket

Connection to Suspended Ceiling T-bar

1. Determine the location of the sprinkler above the suspended ceiling tile. Position the bracket and hub in the desired location on suspended ceiling T-bar. Note: The center of the hub is offset 1" from the center of the mounting screws.
2. Adjust the position of the bracket legs to the desired length if necessary.
3. Install the self-drilling mounting screw into the suspended ceiling T-bar using a Phillips head drive while applying downward pressure on the bracket leg and T-bar.
4. Repeat on both sides of the bracket.

Suspended Ceiling Tile Installation

1. The BKT-IPT bracket may be installed prior to the ceiling tile installation, preventing the need for sprinkler contractor tile adjustment.
2. For ease of tile installation, cut the largest sprinkler hole recommended by sprinkler head manufacturer. The largest hole that is still covered by the sprinkler escutcheon allows for an easier install.
3. Angle the tile at a 45° angle and push the tile through the hole and up above the ceiling T-bar, maneuver the tile and allow it to drop in the proper location.

Connection to Wood Frames or Steel Studs in Gypsum or Drywall

1. Determine the location of the sprinkler between the wood frames or steel studs.
2. Adjust the position of the bracket legs to the desired length if necessary.
3. Install two (2) screws per leg into the structure. Four (4) screws total per bracket.
 - a. Wood Frames: #10 Wood Screws (1¾" Length Minimum)
 - b. Steel Studs: #10 Self-Tapping Sheet Metal Screw (1¼" Length Minimum)

Connection to the Flexible Sprinkler Hose

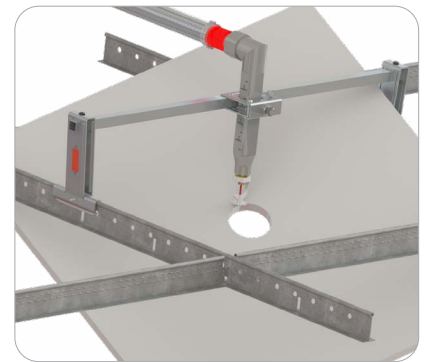
1. Open the hinge door on the bracket hub by rotating the locking shaft ¼ turn.
2. Slide the flexible hose drop into the hub.
3. Close the hinge door and re-lock the locking shaft with a ¼ turn.
4. Ensure the flexible hose drop is straight and not applying a substantial moment on the bracket which may cause sprinkler misalignment.
5. Adjust the flexible hose drop to the desired height and tighten the set screw hand-tight plus a ¾ turn (130 in-lbs).

Adjusting Bracket Legs

1. Determine the desired width of the legs.
2. Disassemble one leg
3. Drill a 7/32" hole at the new desired leg location
4. Assemble the leg in the desired orientation by drilling the mounting screw into the hole.
5. Excess Square Bar can be removed as needed. At least 1/2" (13mm) shall extend past the bracket leg.

Notes:

Installation & maintenance of SprinkFlex products shall be in accordance with applicable local and federal codes (E.g. NFPA 13, NFPA 13R, NFPA 13D, NFPA 25, FM Datasheets, IBC)



asc-es.com

Building connections that last™