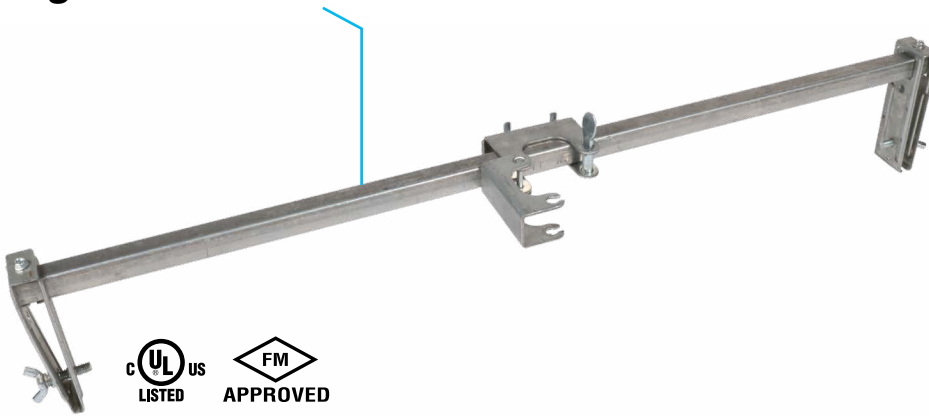


SprinkFlex® Open Bracket  
Fig. BKT-SFO-4



Product Specifications

Bracket Length

- 24in
- 48in

Material

Carbon Steel

Applications

Suspended Ceilings per ASTM C635 & C636

Ordering

Specify figure number, length, & description

Fig. BKT-SFO-4 cULus & FM Listed Hoses & Components

Hose & Component Figure #	cULus Listed		FM Approved	
	24in	48in	24in	48in
SFB-4 & SFBC-4	✓	✓	✓	✓
SFN-4	✓			
HB-7 & HBC-7			✓	
HN-7				

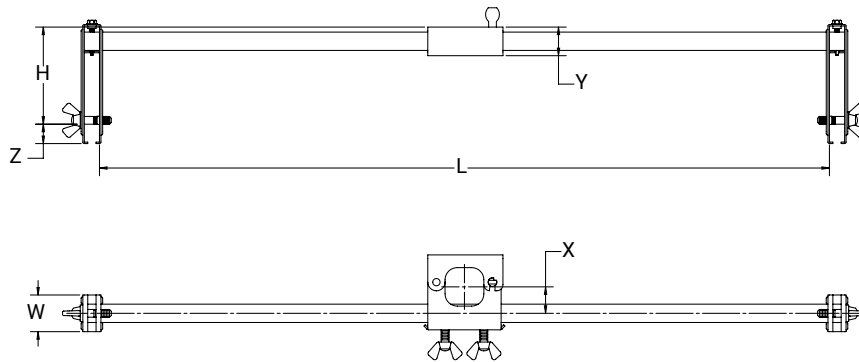


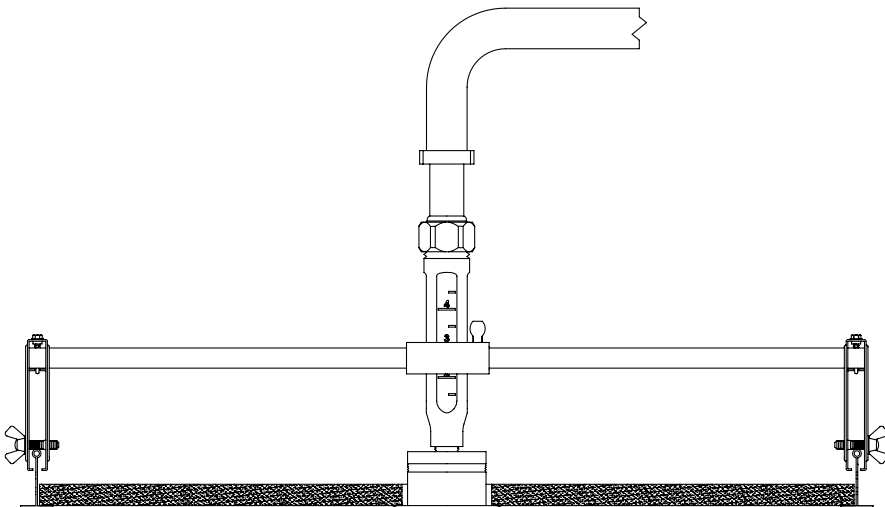
Fig. BKT-SFO-4 Dimensions & Model Number

L	W	H	X	Y	Z	SprinkFlex Historical Model Number
in/mm	in/mm	in/mm	in/mm	in/mm	in/mm	
24 610	1.18 30.0	3.14 79.6	0.85 21.6	0.92 23.4	0.62 15.7	SFO-24-BKT1
48 1219						SFO-48-BKT1



PROJECT INFORMATION	APPROVAL STAMP
Project:	Approved
Address:	Approved as noted
Contractor:	Not approved
Engineer:	Remarks:
Submittal Date:	
Notes 1:	
Notes 2:	

**Fig. BKT-SFO-4**  
SprinkFlex® Open Bracket



## Connection to Suspended Ceiling T-bar

1. Determine the location of the sprinkler above the suspended ceiling tile. Position the bracket and hub in the desired location on suspended ceiling T-bar. Note: The center of the hub is offset 0.85" from the center of the mounting screws.
2. Tighten the wing nut to 40-50 in-lbs.
3. Repeat on both sides of the bracket.

## Connection to the Flexible Sprinkler Hose

1. Open the hinge door on the bracket hub by rotating the locking shaft ¼ turn.
2. Slide the flexible hose drop into the hub.
3. Close the hinge door and re-lock the locking shaft with a ¼ turn.
4. Ensure the flexible hose drop is straight and not applying a substantial moment on the bracket which may cause sprinkler misalignment.
5. Adjust the flexible hose drop to the desired height and tighten the two wing nuts alternately and evenly until they reach they reach 40-50 in-lbs.

### Notes:

Installation & maintenance of SprinkFlex products shall be in accordance with applicable local and federal codes (E.g. NFPA 13, NFPA 13R, NFPA 13D, NFPA 25, FM Datasheets, IBC)



asc-es.com

Building connections that last™