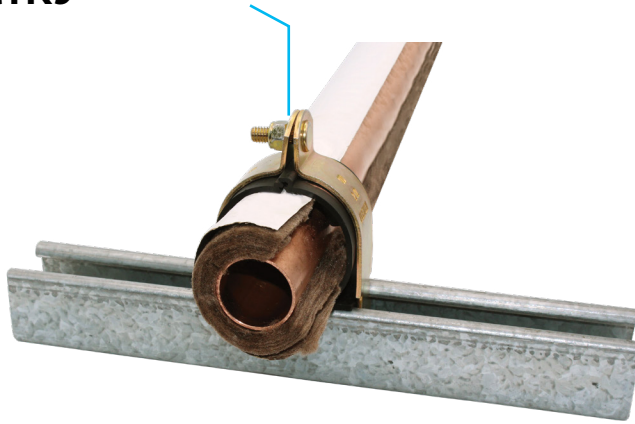


Strut Clamp for Fiberglass Insulated Tube or Pipe Fig. ASCTK9



Specifications

Materials:

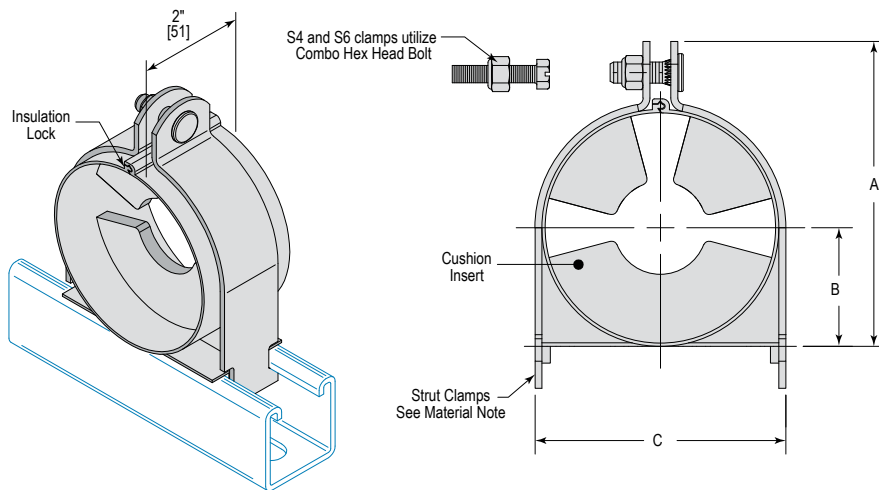
Clamp: ASTM A1011-00 SS GR 33 or
ASTM A1011-00CS Type B
Coupling: TPO-247 UV black 0.90 g/cm3

Approvals:

UL 2043 Fire Test for Heat and Visible Smoke
Release - 25/50 Flame Spread/Smoke
Development Index

Description

The ASCTK9 insulation clamp is designed for use with fiberglass insulation. The insulation coupling allows for a continuous vapor barrier, protecting against corrosion and mold.



PROJECT INFORMATION	APPROVAL STAMP
Project:	Approved
Address:	Approved as noted
Contractor:	Not approved
Engineer:	Remarks:
Submittal Date:	
Notes 1:	
Notes 2:	

Strut Clamp for Fiberglass Insulated Tube or Pipe Fig. ASCTK9

Insulation Wall Thickness	Clamp ID	Tube OD	Pipe Size*	A	B	C
½	1.75	⅝	¼	2.726	0.875	1.954
½	2	⅞	½	2.983	1	2.204
½	2.25	1⅛	¾	3.238	1.125	2.454
½	2.5	1⅜	1	3.492	1.25	2.704
½	2.75	1⅝	1¼	3.746	1.375	2.954
½	3.25	2⅛	1½	4.252	1.625	3.454
1	2.875	⅝	¼	3.873	1.438	3.079
1	2.875	⅞	½	3.873	1.438	3.079
1	2.875	1⅛	¾	3.873	1.438	3.079
1	2.875	1	¾	3.873	1.438	3.079
1	3.625	1⅜	1	4.69	1.813	3.855
1	3.625	1⅝	1¼	4.69	1.813	3.855
1	4	2⅛	1½	5.069	2	4.23
1	4.625	2⅝	2	5.699	2.313	4.855
1	4.625	2½	-	5.699	2.313	4.855
1	5.125	3⅝	2½	6.118	2.563	5.355
1	5.125	3	-	6.118	2.563	5.355
1½	4	⅞	½	5.069	2	4.23
1½	4	1⅛	¾	5.069	2	4.23
1½	4	1	¾	5.069	2	4.23
1½	4.625	1⅜	1	5.699	2.313	4.855
1½	5.125	1⅝	1¼	6.118	2.563	5.355
1½	5.125	2⅛	1½	6.118	2.563	5.355

Note:
* Pipe Size Approximate. ID equals copper tube OD.