

TrimFit® Test & Drain Valve Fig. 06-850



Description

The FPPI TrimFit® Inspector's Test & Drain Valve features heavy duty bronze construction for extended service life. When not in the closed position, the valve can be either fully open (full port), or tested through a 1/2" restricting orifice. The valve features two large and integral sight glasses allowing for maximum visibility when operated. The compact and integrated form allow for installation in both horizontal and vertical orientations in a small amount of space.

Features

- Positive positioning of handle for OFF, TEST, or DRAIN
- Only 2 threaded connections
- Large, integral sight glass on both sides
- 1/2" (nominal) test orifice
- UL/ULC Listed EX4074
- FM Approved
- NYC Board of S&A Cal. No. 433-88-SM

DO NOT USE MORE THAN ONE SEALANT TYPE PER THREADED CONNECTION. DO NOT OVER TIGHTEN THREADS. OVER TIGHTENING WILL CAUSE LEAKS IN THIS AND OTHER THREADED COMPONENTS.

Installation

Installation practices consistent with those of the fire sprinkler industry are appropriate for the installation of this product. Can be installed either vertically or horizontally. Always make sure to properly "hold back" the valve and each component being installed to the valve to prevent over tightening or stressing of the valve body. It is also necessary to make sure all components are in proper alignment in the assembly where the ball valve is present. Improper alignment of attached components may create stress on the valve leading to valve failure. Use a suitable thread sealant such as PTFE tape or PipeFit Thread Sealant Paste with PTFE. Never use tape and paste together. We do not recommend the use of anaerobic sealants with this product. The materials used in this sealant type are highly caustic and may cause failure of the synthetic components present in this product.

The information contained herein is produced in good faith and is believed to be reliable but is provided for guidance and information purposes only. FPPI and its agents cannot assume liability or responsibility for results obtained in the use or misuse of its product by persons whose methods and qualifications are outside and beyond our control. It is the user's responsibility to determine the suitability of, methods of use, preparation prior to use, and appropriate installation for all products purchased from FPPI. It is the user's sole responsibility to observe and adapt such precautions as may be advisable or necessary for the protection of personnel and property in the handling and use of any of our products.

Specifications

Supplied with:

1/2" (nominal) test orifice

Rated:

175 psi / 1210 kPa

Part:

Gland Nut	Brass, ASTM
Lever Nut	Steel, Zinc Plated
Seats	RTRFE
Stem Packing	MPRTFE
Stem Bearing	RTPFE
O-Ring	BUNA-N
Stem	PTFE
Ball	Brass, ASTM B16, Chromium Plated
Body / Retainer	Bronze, ASTM B584, UNS Alloy No. C84400
Glass Retainer	Carbon Steel Zinc Plated
Stop Plate	Carbon Steel Zinc Plated
Sight Glass	Glass Tempered
Detent Pin	Brass, ASTM B16
Lever Assembly	Steel, Zinc Plated w/Vinyl

Material:

Part No:

06-850-10	1" FNPT
06-852-10	1 1/4" FNPT
06-854-10	1 1/2" FNPT
06-854-50	1 1/2" GxG
06-856-10	2" FNPT
06-856-50	2" GxG

Size:

*Contains lead. Not for use in water systems intended for human consumption.

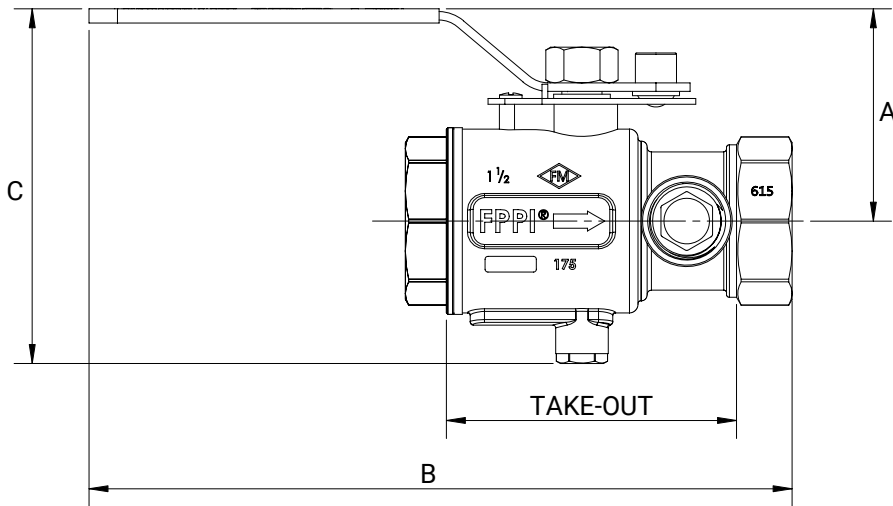


FPPI
An ASC Engineered Solution

PROJECT INFORMATION	APPROVAL STAMP
Project:	Approved
Address:	Approved as noted
Contractor:	Not approved
Engineer:	Remarks:
Submittal Date:	
Notes 1:	
Notes 2:	

TrimFit® Test & Drain Valve Fig. 06-850

Dimensions



Valve Size	Take Out	A	B	C	Weight
1" NPT	3.496"	3.020"	8.307"	4.654"	2.064 lbs.
1 1/4" NPT	3.496"	3.118"	8.527"	4.929"	2.615 lbs.
1 1/2" NPT	4.012"	2.993"	9.723"	4.902"	3.717 lbs.
1 1/2" Groove	4.020"	2.993"	9.900"	4.902"	3.735 lbs.
2" NPT	4.393"	3.090"	10.026"	5.354"	5.445 lbs.
2" Groove	4.449"	3.138"	10.030"	5.402"	5.269 lbs.