

Building connections that last™



Series 35FW, & 35GW, 35FGW

UL/FM AWWA Resilient Wedge
OS & Y Gate Valves Datasheet




UL/FM AWWA Resilient Wedge OS & Y Gate Valve, Flanged

Fig. 35FW

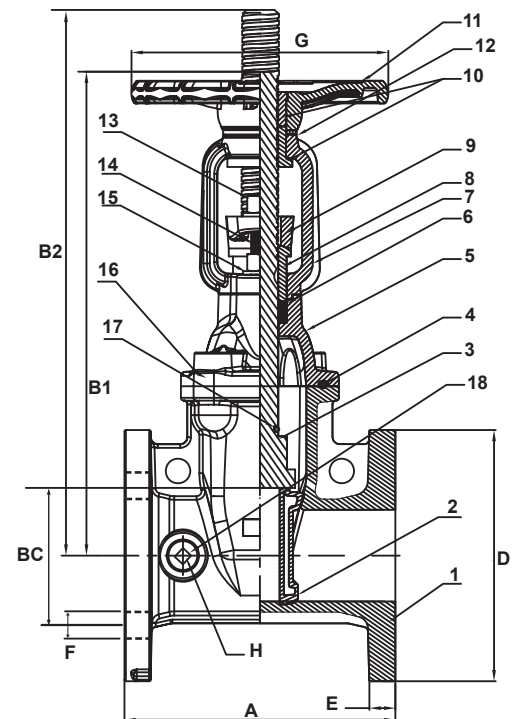


Design Features

- 300 lb. non-shock cold working pressure
- Ductile iron body and bonnet
- 304 Stainless steel stem
- Wax encapsulated stainless cap screws
- Fusion bonded epoxy coating AWWA C550
- Meets AWWA C515
- Certified to ANSI/NSF 61 and 372 (Lead Free)
- UL Listed / FM Approved up to 12"
- Grooved stem for tamper switch
- Tapped and plugged for by-pass with additional bosses
-  Brand for full traceability

Parts & Materials

No.	Part	Material
1	Body	Ductile Iron Gr. A536 65 / 45 / 12
2	Wedge	Ductile Iron Gr. A536 65 / 45 / 12; EPDM
3	Stem	304 Stainless Steel
4	Bonnet Gasket	EPDM
5	Bonnet	Ductile Iron Gr. A536 65 / 45 / 12
6	Stem Packing	EPDM
7	Yoke	Ductile Iron Gr. A536 65 / 45 / 12
8	Packing Gland	Brass ASTM B124 C37700
9	Gland Flange	Ductile Iron A536 65 / 45 / 12
10	Yoke Nut	Brass ASTM B124 C37700
11	Handwheel	Ductile Iron Gr. A536 65 / 45 / 12
12	Washer	Brass ASTM B124 C37700
13	Gland Nut	304 Stainless Steel
14	Stud	304 Stainless Steel
15	Flat Washer	304 Stainless Steel
16	Bonnet Bolt	304 Stainless Steel
17	O-Ring	EPDM
18	Plug	Lead Free Bronze B584 / C89833



Dimensions

Size	Part Number	Weight	A	B1	B2	BC*	D	E	F	G	H
In		Lb	In	In	In	In	In	In	In	In	In
2-½	017135FW024	39	7.50	14.68	17.32	5.50	7.00	0.69	4 - 0.75	7.10	½-14NPT
3	017135FW030	51	8.00	16.06	19.29	6.00	7.50	0.75	4 - 0.75	7.90	½-14NPT
4	017135FW040	71	9.00	18.54	22.56	7.50	9.00	0.94	8 - 0.75	10.00	½-14NPT
6	017135FW060	117	10.50	23.66	29.72	9.50	11.00	1.00	8 - 0.88	12.00	¾-14NPT
8	017135FW080	201	11.50	30.47	38.38	11.75	13.50	1.12	8 - 0.88	15.75	¾-14NPT
10	017135FW100	296	13.00	36.97	46.97	14.25	16.00	1.19	12 - 1.00	17.50	¾-14NPT
12	017135FW120	440	14.00	41.93	53.94	17.00	19.00	1.00	12 - 1.00	17.70	¾-14NPT


*Bolt Circle

UL/FM AWWA Resilient Wedge OS & Y Gate Valve, Grooved

Fig. 35GW

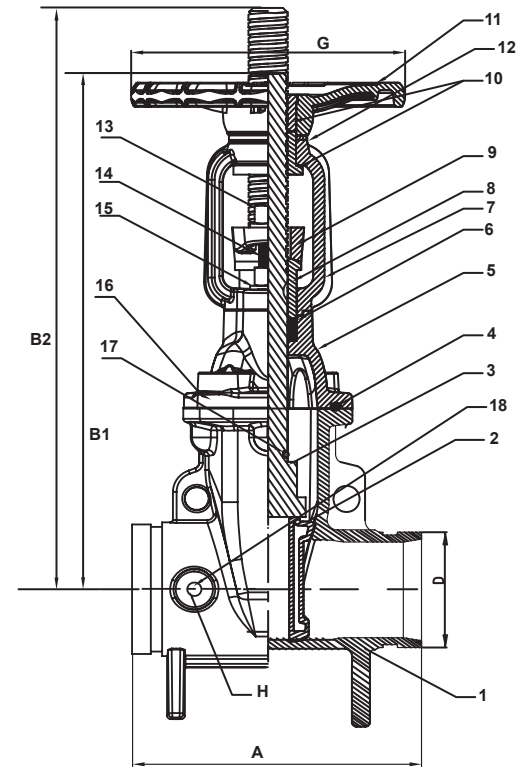


Design Features

- 300 lb. non-shock cold working pressure
- Ductile iron body and bonnet
- 304 Stainless steel stem
- Wax encapsulated stainless cap screws
- Fusion bonded epoxy coating AWWA C550
- Meets AWWA C515
- Certified to ANSI/NSF 61 and 372 (Lead Free)
- UL Listed / FM Approved up to 12"
- Grooved stem for tamper switch
- Tapped and plugged for by-pass with additional bosses
-  Brand for full traceability

Parts & Materials

No.	Part	Material
1	Body	Ductile Iron Gr. A536 65 / 45 / 12
2	Wedge	Ductile Iron Gr. A536 65 / 45 / 12; EPDM
3	Stem	304 Stainless Steel
4	Bonnet Gasket	EPDM
5	Bonnet	Ductile Iron Gr. A536 65 / 45 / 12
6	Stem Packing	EPDM
7	Yoke	Ductile Iron Gr. A536 65 / 45 / 12
8	Packing Gland	Brass ASTM B124 C37700
9	Gland Flange	Ductile Iron A536 65 / 45 / 12
10	Yoke Nut	Brass ASTM B124 C37700
11	Handwheel	Ductile Iron Gr. A536 65 / 45 / 12
12	Washer	Brass ASTM B124 C37700
13	Gland Nut	304 Stainless Steel
14	Stud	304 Stainless Steel
15	Flat Washer	304 Stainless Steel
16	Bonnet Bolt	304 Stainless Steel
17	O-Ring	EPDM
18	Plug	Lead Free Bronze B584 / C89833



Dimensions


Size	Part Number	Weight	A	B1	B2	D	G	H
In		Lb	In	In	In	In	In	In
4	017135GW040	53	9.00	18.54	22.56	4.50	10.00	1/2-14NPT
6	017135GW060	91	10.50	23.66	29.72	6.625	12.00	3/4-14NPT
8	017135GW080	162	11.50	30.47	38.38	8.625	15.75	3/4-14NPT

UL/FM AWWA Resilient Wedge OS & Y Gate Valve, Flanged x Grooved

Fig. 35FGW

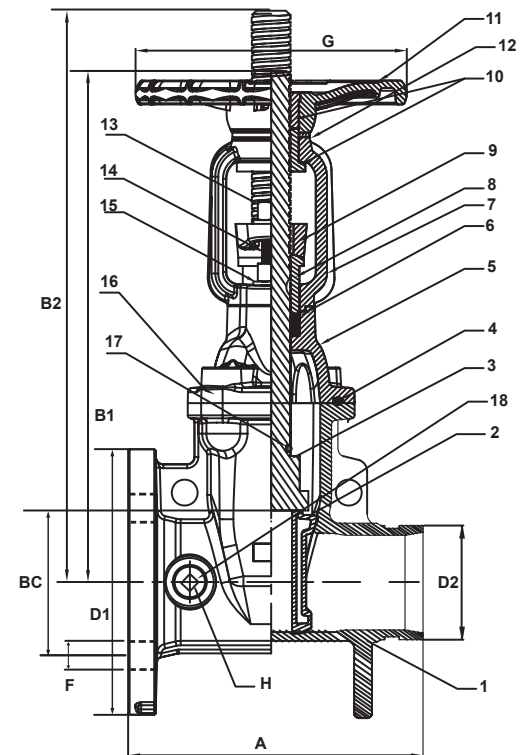


Design Features

- 300 lb. non-shock cold working pressure
- Ductile iron body and bonnet
- 304 Stainless steel stem
- Wax encapsulated stainless cap screws
- Fusion bonded epoxy coating AWWA C550
- Meets AWWA C515
- Certified to ANSI/NSF 61 and 372 (Lead Free)
- UL Listed / FM Approved up to 12"
- Grooved stem for tamper switch
- Tapped and plugged for by-pass with additional bosses
-  Brand for full traceability

Parts & Materials

No.	Part	Material
1	Body	Ductile Iron Gr. A536 65 / 45 / 12
2	Wedge	Ductile Iron Gr. A536 65 / 45 / 12; EPDM
3	Stem	304 Stainless Steel
4	Bonnet Gasket	EPDM
5	Bonnet	Ductile Iron Gr. A536 65 / 45 / 12
6	Stem Packing	EPDM
7	Yoke	Ductile Iron Gr. A536 65 / 45 / 12
8	Packing Gland	Brass ASTM B124 C37700
9	Gland Flange	Ductile Iron A536 65 / 45 / 12
10	Yoke Nut	Brass ASTM B124 C37700
11	Handwheel	Ductile Iron Gr. A536 65 / 45 / 12
12	Washer	Brass ASTM B124 C37700
13	Gland Nut	304 Stainless Steel
14	Stud	304 Stainless Steel
15	Flat Washer	304 Stainless Steel
16	Bonnet Bolt	304 Stainless Steel
17	O-Ring	EPDM
18	Plug	Lead Free Bronze B584 / C89833



Dimensions

Size	Part Number	Weight	A	B1	B2	BC*	D1	D2	F	G	H
In		Lb	In	In	In	In	In	In	In	In	In
4	017135FGW040	61	9.00	18.54	22.56	7.50	9.00	4.50	8 - 0.75	10.00	½-14NPT
6	017135FGW060	104	10.50	23.66	29.72	9.50	11.00	6.625	8 - 0.88	12.00	¾-14NPT
8	017135FGW080	181	11.50	30.47	38.38	11.75	13.50	8.625	8 - 0.88	15.75	¾-14NPT

*Bolt Circle

About ASC Engineered Solutions

ASC Engineered Solutions is defined by quality—in its products, services and support. With more than 1,400 employees, the company's portfolio of precision-engineered piping support, valves and connections provides products to more than 4,000 customers across industries, such as mechanical, industrial, fire protection, oil and gas, and commercial and residential construction. Its portfolio of leading brands includes ABZ Valve®, AFCON®, Anvil®, Anvil EPS, Anvil Services, Basic-PSA, Beck®, Catawissa, Cooplet®, FlexHead®, FPPI®, Gruklok®, J.B. Smith, Merit®, North Alabama Pipe, Quadrant®, SCI®, Sharpe®, SlideLOK®, SPF® and SprinkFLEX®. With headquarters in Commerce, CA, and Exeter, NH, ASC also has ISO 9001:2015 certified production facilities in PA, TN, IL, TX, AL, LA, KS, and RI.



asc-es.com

Building connections that last™

FC-DS-Series-35FW-35GW-35FGW-v01 20211210

