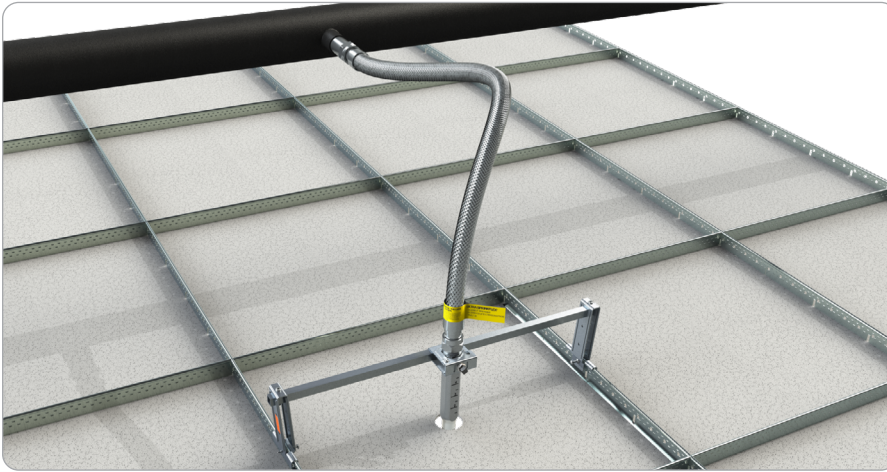


Fig. HB1 Ultra SprinkFlex® Hose



Product Specifications

HB1 Standard Assembly*

28in	59in
40in	71in
48in	

*Comes standard with 7" Long Straight Drop and Threaded Inlet Nipple

HB1C Hose Component

19in	50in
30in	62in
38in	

HB1C Straight Outlet Drop Component

4" Short:	1/2	3/4
7" Long:	1/2	3/4
13" XLong:	1/2	3/4

HB1C Inlet Nipple Component

Threaded	1" NPT
Grooved	1" Cut Groove
Welded	1" Welded Fitting

HB1C Inlet Nipple Component

Elbow Fitting

HB1C Hanger Fitting Component

Hanger Fitting (FM Only)

Pressure Rating

UL: 175psi (1,205kPa)
FM: 175psi (1,205kPa)

Minimum Bend Radius

UL: 2.0in (50.8mm)
FM: 7.0in (177.8mm)

Ambient Temperature

225°F (107°C) Max

Material

304 Stainless Steel Hose, Carbon Steel Fittings

Ordering

Specify figure number, length, outlet size, & description. Fig. HB1C Components sold separately.



Fig. HB1C Ultra SprinkFlex® Hose Components

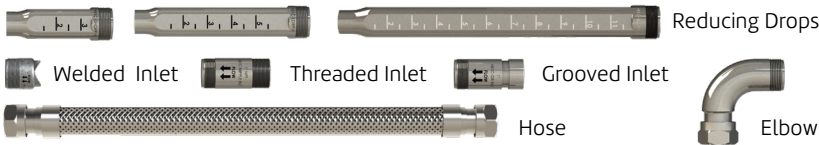


Fig. HB1 and HB1C Brackets

Bracket Fig # & Size	cULus Listed	FM Approved	SprinkFlex Historical Model Number
FH120. 24in NEW	✓	✓	-
FH120. 48in NEW		✓	-
FH150 NEW	✓	✓	-
BKT-IPT, 24in	✓	✓	IPT-24-BKT1
BKT-IPT, 48in		✓	IPT-48-BKT1
BKT-SFO-4, 24in	✓	✓	SFO24BKT1
BKT-SFO-4, 48in		✓	SFO48BKT1

Features

- Modular design for custom installations
- No bend radius inspection required for cULus applications
- Pre-Installed Sprinkler Head option available upon request
- Every hose comes with an easy to identify Yellow Tag

Note: SprinkFlex Historical Model Numbers may be used to verify cULus Listings & FM Approvals.



PROJECT INFORMATION	APPROVAL STAMP
Project:	Approved
Address:	Approved as noted
Contractor:	Not approved
Engineer:	Remarks:
Submittal Date:	
Notes 1:	
Notes 2:	

Fig. HB1 Ultra SprinkFlex® Hose

Standard Assembly: HB1C Threaded Inlet & HB1C 7" Long Drop

Fig. HB1 Assembly cULus Listing per UL 2443 & FM Approval (Listing) per FM 1637

Outlet Size	Assembly Length	Equivalent Length				Max # of 90° Bends	
		UL		FM		UL	FM
	In	ft	m	ft	m	#	#
½ NPS	28	16	4.9	14.5	16.8	4	1
	40	20	6.1	20.8	6.3	5	2
	48	34	10.4	22.4	6.8	8	3
	59	44	13.7	31.4	9.6	10	3
	71	56	16.8	36.3	11.1	12	4
¾ NPS	28	15	4.6	14.4	4.4	4	1
	40	23	7	20.7	6.3	5	2
	48	34	10.4	22.3	6.8	8	3
	59	48	14.6	31.3	9.5	10	3
	71	56	16.8	36.2	11	12	4

1. HB1 Standard Assembly comes with the 1" NPT Threaded Inlet Nipple & 7" Long Straight Outlet Drop.
2. Equivalent Length of NPS 1 (DN25) Sch 40 Pipe.
3. Equivalent Lengths listed above assume the maximum number of 90° bends.
4. A 90° bend can be achieved with two 45° bends or three 30° bends.
5. UL & FM Equivalent Lengths are listed for installation with sprinklers with a maximum k-factor of 16.8.

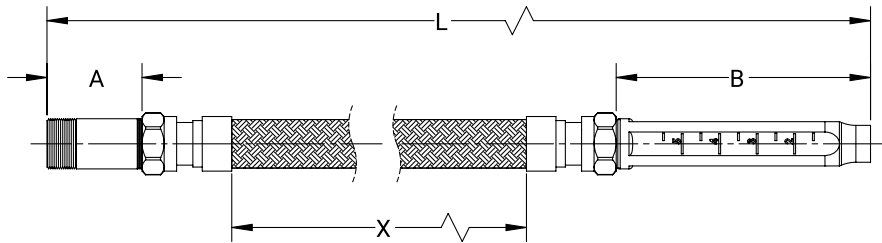


Fig. HB1 Standard Assembly Dimensions & Model Number

Assembly Length	True Length (L)		Braid Length (X)		Inlet Nipple Length (A)		Outlet Drop Length (B)		SprinkFlex Historical Model Number	
	In	mm	In	mm	In	mm	In	mm	½ NPS Outlet	¾ NPS Outlet
28	27.6	700	14.4	365					HB1-28-LDRP-H	HB1-28-LDRP-T
40	39.4	1000	25.4	644					HB1-40-LDRP-H	HB1-40-LDRP-T
48	47.2	1200	33.4	847	2.50	63.5	6.75	171.5	HB1-48-LDRP-H	HB1-48-LDRP-T
59	59.1	1500	45.4	1152					HB1-59-LDRP-H	HB1-59-LDRP-T
71	70.9	1800	57.4	1457					HB1-71-LDRP-H	HB1-71-LDRP-T



asc-es.com

Building connections that last™

Fig. HB1 Ultra SprinkFlex® Hose

Elbow Assembly: HB1C Threaded Inlet, HB1C Elbow Fitting, & HB1C 7" Long Drop

Fig. HB1 Assembly cULus Listing per UL 2443 & FM Approval (Listing) per FM 1637

Outlet Size	Assembly Length	Equivalent Length				Max # of 90° Bends	
		UL		FM		UL	FM
		ft	m	ft	m	#	#
½ NPS	28	18	5.5	18.5	5.6	4	1
	40	22	6.7	24.6	7.5	5	2
	48	36	11.0	26.4	8.0	8	3
	59	46	14.0	35.4	10.8	10	3
	71	-	-	40.3	12.3	12	4
¾ NPS	28	17	5.2	18.4	5.6	4	1
	40	25	7.6	24.5	7.5	5	2
	48	36	11.0	26.3	8.0	8	3
	59	48	15.0	35.3	10.8	10	3
	71	-	-	40.2	12.3	12	4

1. HB1 Assembly with the 1" NPT Threaded Inlet Nipple, 7" Long Straight Outlet Drop, & Elbow Fitting. HB1C Elbow Fitting sold separately and installed per Installation Instructions.
2. Equivalent Length of NPS 1 (DN25) Sch 40 Pipe.
3. Equivalent Lengths listed above assume the maximum number of 90° bends.
4. A 90° bend can be achieved with two 45° bends or three 30° bends.
5. UL & FM Equivalent Lengths are listed for installation with sprinklers with a maximum k-factor of 16.8.

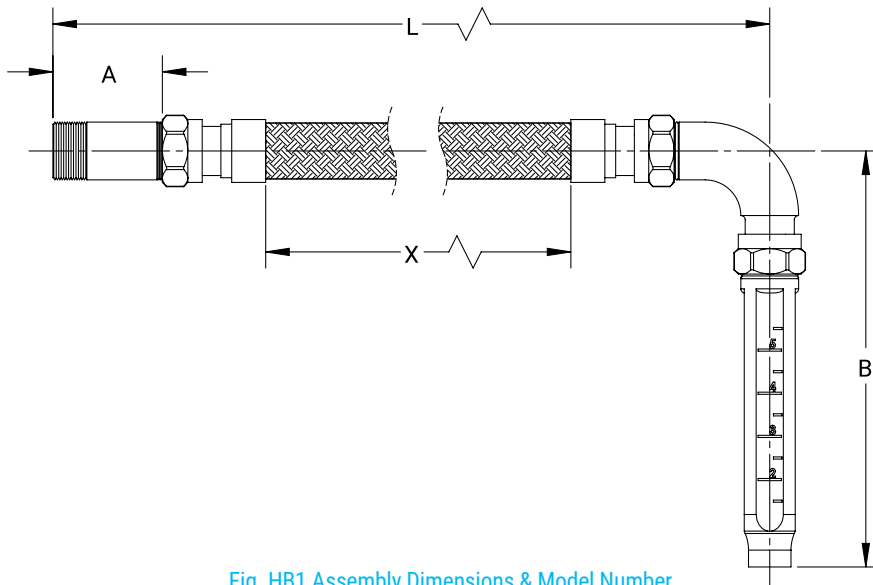


Fig. HB1 Assembly Dimensions & Model Number

Assembly Length	True Length (L)		Braid Length (X)		Inlet Nipple Length (A)		Outlet Drop Length (B)		SprinkFlex Historical Model Number	
	In	mm	In	mm	In	mm	In	mm	½ NPS Outlet	¾ NPS Outlet
28	23.0	585	14.4	365	-	-	-	-	HB1CE-28-LDRP-H	HB1CE-28-LDRP-T
40	34.8	884	25.4	644	-	-	-	-	HB1CE-40-LDRP-H	HB1CE-40-LDRP-T
48	42.6	1083	33.4	847	2.50	63.5	9.75	247.4	HB1CE-48-LDRP-H	HB1CE-48-LDRP-T
59	54.5	1385	45.4	1152	-	-	-	-	HB1CE-59-LDRP-H	HB1CE-59-LDRP-T
71	66.3	1685	57.4	1457	-	-	-	-	-	-

Ordering: HB1 Assembly with the desired hose length, HB1C Elbow Fitting



asc-es.com

Building connections that last™

Fig. HB1 Ultra SprinkFlex® Hose Assembly: HB1C Threaded Inlet & HB1C 4" Short Drop

Fig. HB1 Assembly cULus Listing per UL 2443 & FM Approval (Listing) per FM 1637

Outlet Size	Assembly Length	Equivalent Length				Max # of 90° Bends	
		UL		FM		UL	FM
		In	ft	m	ft	m	#
½ NPS	25	16	4.9	13.7	4.2	4	1
	37	21	6.4	19.8	6.0	5	2
	45	34	10.4	21.6	6.6	8	3
	56	45	13.7	30.6	9.3	10	3
	68	55	16.8	35.5	10.8	12	4
¾ NPS	25	15	4.6	13.5	4.1	4	1
	37	23	7.0	19.6	6.0	5	2
	45	34	10.4	21.4	6.5	8	3
	56	48	14.6	30.4	9.3	10	3
	68	55	16.8	35.3	10.8	12	4

1. HB1 Assembly made with the 1" NPT Threaded Inlet Nipple & 4" Long Straight Outlet Drop. HB1C components sold separately and installed per Installation Instructions.
2. Equivalent Length of NPS 1 (DN25) Sch 40 Pipe.
3. Equivalent Lengths listed above assume the maximum number of 90° bends.
4. A 90° bend can be achieved with two 45° bends or three 30° bends.
5. UL & FM Equivalent Lengths are listed for installation with sprinklers with a maximum k-factor of 16.8.

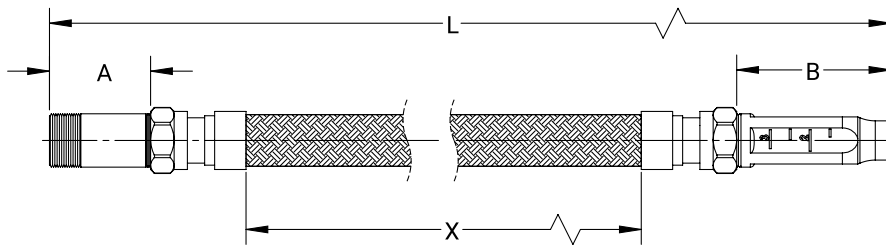


Fig. HB1 Assembly Dimensions & Model Number

Assembly Length	True Length (L)		Braid Length (X)		Inlet Nipple Length (A)				Outlet Drop Length (B)		SprinkFlex Historical Model Number	
	In	mm	In	mm	In	mm	In	mm	In	mm	½ NPS Outlet	¾ NPS Outlet
25	24.7	627	14.4	365							HB1-28-SHDRP-H	HB1-28-SHDRP-T
37	36.5	927	25.4	644							HB1-40-SHDRP-H	HB1-40-SHDRP-T
45	44.3	1125	33.4	847	2.50	63.5	3.80	96.5			HB1-48-SHDRP-H	HB1-48-SHDRP-T
56	56.2	1427	45.4	1152							HB1-59-SHDRP-H	HB1-59-SHDRP-T
68	68.0	1727	57.4	1457							HB1-71-SHDRP-H	HB1-71-SHDRP-T

Ordering: HB1 Assembly with the desired hose length, HB1C 4" Short Drop



asc-es.com

Building connections that last™

Fig. HB1 Ultra SprinkFlex® Hose

Elbow Assembly: HB1C Threaded Inlet, HB1C Elbow Fitting, & HB1C 4" Short Drop

Fig. HB1 Assembly cULus Listing per UL 2443 & FM Approval (Listing) per FM 1637

Outlet Size	Assembly Length	Equivalent Length				Max # of 90° Bends	
		UL		FM		UL	FM
		In	ft	m	ft	m	#
½ NPS	25	18	5.5	17.5	5.4	4	1
	37	23	7.0	23.6	7.3	5	2
	45	36	11.0	25.4	7.8	8	3
	56	48	14.6	34.4	7.8	10	3
	68	57	17.4	39.3	12.0	12	4
¾ NPS	25	17	5.2	16.7	5.3	4	1
	37	25	7.6	22.8	7.2	5	2
	45	36	11.0	24.6	7.7	8	3
	56	49	15.0	33.6	10.5	10	3
	68	57	17.4	38.5	12.0	12	4

1. HB1 Assembly with the 1" NPT Threaded Inlet Nipple, 4" Short Straight Outlet Drop, & Elbow Fitting. HB1C components sold separately and installed per Installation Instructions.
2. Equivalent Length of NPS 1 (DN25) Sch 40 Pipe.
3. Equivalent Lengths listed above assume the maximum number of 90° bends.
4. A 90° bend can be achieved with two 45° bends or three 30° bends.
5. UL & FM Equivalent Lengths are listed for installation with sprinklers with a maximum k-factor of 16.8.

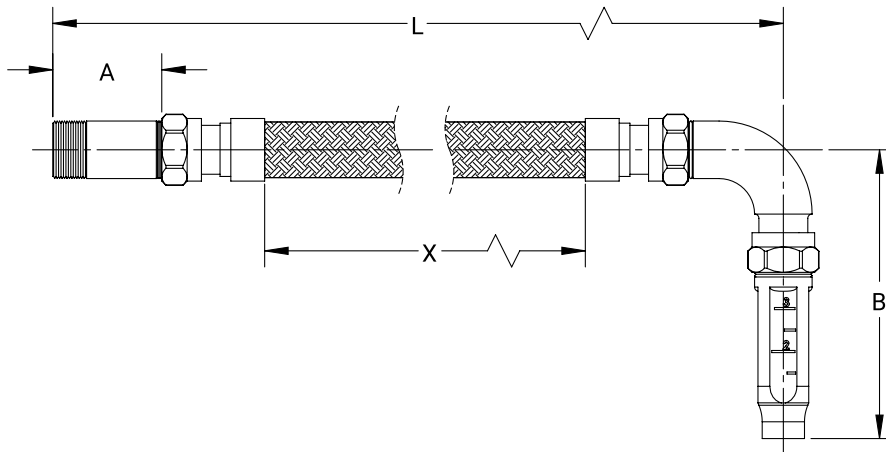


Fig. HB1 Assembly Dimensions & Model Number

Assembly Length	True Length (L)		Braid Length (X)		Inlet Nipple Length (A)		Outlet Drop Length (B)		SprinkFlex Historical Model Number	
	In	mm	In	mm	In	mm	In	mm	½ NPS Outlet	¾ NPS Outlet
25	23.0	584.7	14.4	365					HB1CE-28-SHDRP-H	HB1CE-28-SHDRP-T
37	34.8	884.4	25.4	644					HB1CE-40-SHDRP-H	HB1CE-40-SHDRP-T
45	42.6	1082.5	33.4	847	2.50	63.5	6.80	172.7	HB1CE-48-SHDRP-H	HB1CE-48-SHDRP-T
56	54.5	1384.8	45.4	1152					HB1CE-59-SHDRP-H	HB1CE-59-SHDRP-T
68	66.3	1684.5	57.4	1457					HB1CE-71-SHDRP-H	HB1CE-71-SHDRP-T

Ordering: HB1 Assembly with the desired hose length, HB1C 4" Short Drop, HB1C Elbow Fitting



asc-es.com

Building connections that last™

Fig. HB1 Ultra SprinkFlex® Hose Assembly: HB1C Threaded Inlet & HB1C 13" X-Long Drop

Fig. HB1 Assembly cULus Listing per UL 2443 & FM Approval (Listing) per FM 1637

Outlet Size	Assembly Length	Equivalent Length				Max # of 90° Bends	
		UL		FM		UL	FM
		In	ft	m	ft	m	#
½ NPS	34	16	4.9	16.7	5.1	4	1
	46	23	7.0	22.8	6.9	5	2
	54	35	10.7	24.6	7.5	8	3
	65	48	14.6	33.6	10.2	10	3
¾ NPS	34	15	4.6	16.5	5.0	4	1
	46	23	7.0	22.6	6.9	5	2
	54	35	10.7	24.4	7.4	8	3
	65	48	14.6	33.4	10.2	10	3

1. HB1 Assembly made with the 1" NPT Threaded Inlet Nipple & 13" Long Straight Outlet Drop. HB1C components sold separately and installed per Installation Instructions.
2. Equivalent Length of NPS 1 (DN25) Sch 40 Pipe.
3. Equivalent Lengths listed above assume the maximum number of 90° bends.
4. A 90° bend can be achieved with two 45° bends or three 30° bends.
5. UL & FM Equivalent Lengths are listed for installation with sprinklers with a maximum k-factor of 16.8.

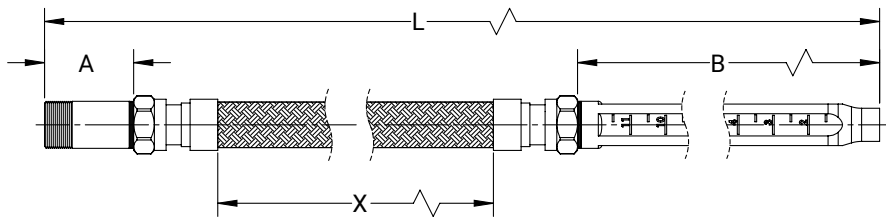


Fig. HB1 Assembly Dimensions & Model Number

Assembly Length	True Length (L)		Braid Length (X)		Inlet Nipple Length (A)		Outlet Drop Length (B)		SprinkFlex Historical Model Number	
	In	mm	In	mm	In	mm	In	mm	½ NPS Outlet	¾ NPS Outlet
34	33.4	847.1	14.4	365	2.50	63.5	12.50	317.5	HB1-28-XLDRP-H	HB1-28-XLDRP-T
46	42.2	1146.8	25.4	644					HB1-40-XLDRP-H	HB1-40-XLDRP-T
54	52.9	1344.9	33.4	847					HB1-48-XLDRP-H	HB1-48-XLDRP-T
65	64.9	1647.2	45.4	1152					HB1-59-XLDRP-H	HB1-59-XLDRP-T

Ordering: HB1 Assembly with the desired hose length, HB1C 13" X-Long Drop



asc-es.com

Building connections that last™

Fig. HB1 Ultra SprinkFlex® Hose

Elbow Assembly: HB1C Threaded Inlet, HB1C Elbow Fitting, & HB1C 13" X-Long Drop

Fig. HB1 Assembly cULus Listing per UL 2443 & FM Approval (Listing) per FM 1637

Outlet Size	Assembly Length	Equivalent Length				Max # of 90° Bends	
		UL		FM		UL	FM
		in	ft	m	ft	m	#
½ NPS	34	-	-	20.7	6.3	4	1
	46	-	-	26.8	8.2	5	2
	54	-	-	28.6	8.7	8	3
	65	-	-	37.6	11.5	10	3
¾ NPS	34	-	-	20.5	6.2	4	1
	46	-	-	26.6	8.1	5	2
	54	-	-	28.4	8.7	8	3
	65	-	-	37.4	11.4	10	3

1. HB1 Assembly with the 1" NPT Threaded Inlet Nipple, 13" Short Straight Outlet Drop, & Elbow Fitting. HB1C components sold separately and installed per Installation Instructions.
2. Equivalent Length of NPS 1 (DN25) Sch 40 Pipe.
3. Equivalent Lengths listed above assume the maximum number of 90° bends.
4. A 90° bend can be achieved with two 45° bends or three 30° bends.
5. UL & FM Equivalent Lengths are listed for installation with sprinklers with a maximum k-factor of 16.8, or of 16.8.

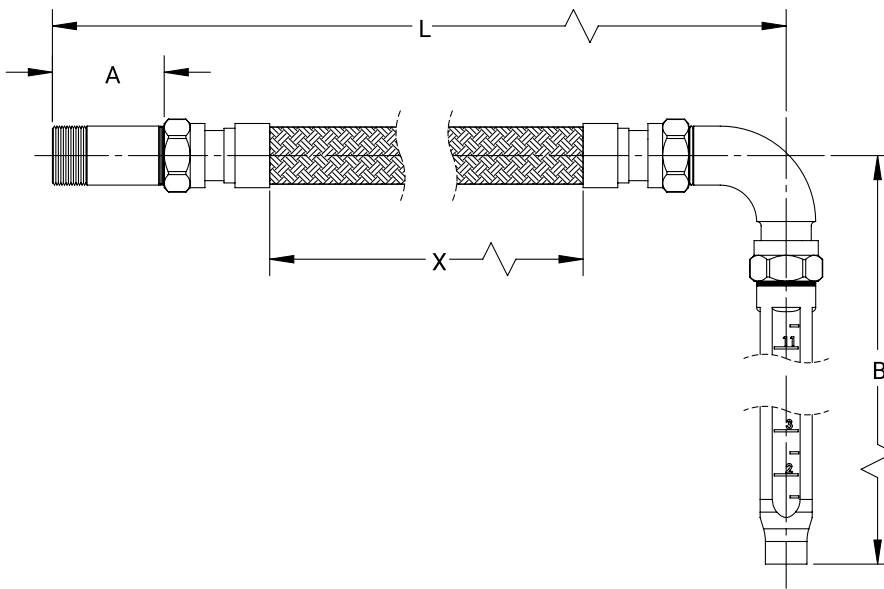


Fig. HB1 Assembly Dimensions & Model Number

Assembly Length	True Length (L)		Braid Length (X)		Inlet Nipple Length (A)				Outlet Drop Length (B)		SprinkFlex Historical Model Number	
	in	mm	in	mm	in	mm	in	mm	in	mm	½ NPS Outlet	¾ NPS Outlet
34	23.0	585	14.4	365	2.50	63.5	15.50	393.7			HB1CE-28-XLDRP-H	HB1CE-28-XLDRP-T
46	34.8	884	25.4	644							HB1CE-40-XLDRP-H	HB1CE-40-XLDRP-T
54	42.6	1083	33.4	847							HB1CE-48-XLDRP-H	HB1CE-48-XLDRP-T
65	54.5	1385	45.4	1152							HB1CE-59-XLDRP-H	HB1CE-59-XLDRP-T

Ordering: HB1 Assembly with the desired hose length, HB1C 13" X-Long Drop, HB1C Elbow Fitting



asc-es.com

Building connections that last™

Fig. HB1 Ultra SprinkFlex® Hose Assembly: HB1C Grooved Inlet & HB1C 7" Long Drop

Fig. HB1 Assembly cULus Listing per UL 2443 & FM Approval (Listing) per FM 1637

Outlet Size	Assembly Length	Equivalent Length				Max # of 90° Bends	
		UL		FM		UL	FM
		in	ft	m	ft	m	#
½ NPS	28	16	4.9	14.5	4.4	4	1
	40	20	6.1	20.6	6.3	5	2
	48	34	10.4	22.4	6.8	8	3
	59	44	13.4	31.4	9.6	10	3
	71	56	17.1	36.3	11.1	12	4
¾ NPS	28	15	4.6	14.4	4.4	4	1
	40	23	7.0	20.5	6.2	5	2
	48	34	10.4	22.3	6.8	8	3
	59	48	14.6	31.3	9.5	10	3
	71	56	17.1	36.2	11.0	12	4

1. HB1 Assembly comes with the 1" Grooved Inlet Nipple & 7" Long Straight Outlet Drop. HB1C components sold separately and installed per Installation Instructions.
2. Equivalent Length of NPS 1 (DN25) Sch 40 Pipe.
3. Equivalent Lengths listed above assume the maximum number of 90° bends.
4. A 90° bend can be achieved with two 45° bends or three 30° bends.
5. UL & FM Equivalent Lengths are listed for installation with sprinklers with a maximum k-factor of 16.8.

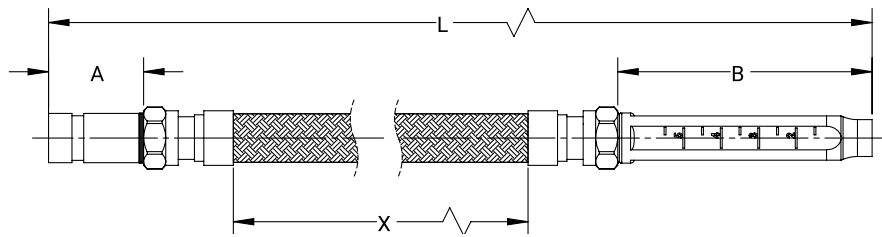


Fig. HB1 Assembly Dimensions & Model Number

Assembly Length	True Length (L)		Braid Length (X)		Inlet Nipple Length (A)		Outlet Drop Length (B)		SprinkFlex Historical Model Number	
	in	mm	in	mm	in	mm	in	mm	½ NPS Outlet	¾ NPS Outlet
28	27.6	700	14.4	365					HB1-GR-28-XLDRP-H	HB1-GR-28-XLDRP-T
40	39.4	1000	25.4	644					HB1-GR-40-XLDRP-H	HB1-GR-40-XLDRP-T
48	47.2	1200	33.4	847	2.50	63.5	6.75	171.5	HB1-GR-48-XLDRP-H	HB1-GR-48-XLDRP-T
59	59.1	1500	45.4	1152					HB1-GR-59-XLDRP-H	HB1-GR-59-XLDRP-T
71	70.9	1800	57.4	1457					HB1-GR-71-XLDRP-H	HB1-GR-71-XLDRP-T

Ordering: HB1 Assembly with desired hose length, HB1C Grooved Inlet Fitting



asc-es.com

Building connections that last™

Fig. HB1 Ultra SprinkFlex® Hose

Elbow Assembly: HB1C Grooved Inlet, HB1C Elbow Fitting, & HB1C 7" Long Drop

Fig. HB1 Assembly cULus Listing per UL 2443 & FM Approval (Listing) per FM 1637

Outlet Size	Assembly Length	Equivalent Length				Max # of 90° Bends	
		UL		FM		UL	FM
		In	ft	m	ft	m	#
½ NPS	28	18	5.5	18.5	5.6	4	1
	40	22	6.7	24.6	7.5	5	2
	48	36	11.0	26.4	8.0	8	3
	59	46	14.0	35.4	10.8	10	3
	71	-	-	40.3	12.3	12	4
¾ NPS	28	17	5.2	18.4	5.6	4	1
	40	25	7.6	24.5	7.5	5	2
	48	36	11.0	26.3	8.0	8	3
	59	49	15.0	35.3	10.8	10	3
	71	-	-	40.2	12.3	12	4

1. HB1 Assembly with the 1" Grooved Inlet Nipple, 7" Long Straight Outlet Drop, & Elbow Fitting. HB1C components sold separately and installed per Installation Instructions.
2. Equivalent Length of NPS 1 (DN25) Sch 40 Pipe.
3. Equivalent Lengths listed above assume the maximum number of 90° bends.
4. A 90° bend can be achieved with two 45° bends or three 30° bends.
5. UL & FM Equivalent Lengths are listed for installation with sprinklers with a maximum k-factor of 16.8.

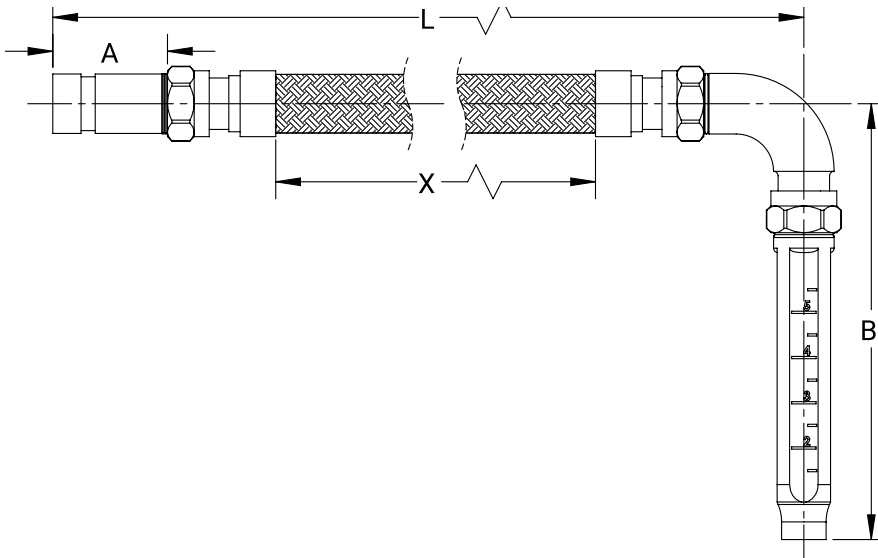


Fig. HB1 Assembly Dimensions & Model Number

Assembly Length	True Length (L)		Braid Length (X)		Inlet Nipple Length (A)		Outlet Drop Length (B)		SprinkFlex Historical Model Number	
	In	mm	In	mm	In	mm	In	mm	½ NPS Outlet	¾ NPS Outlet
28	23.0	585	14.4	365					HB1CE-GR-28-LDRP-H	HB1CE-GR-28-LDRP-T
40	34.8	884	25.4	644					HB1CE-GR-40-LDRP-H	HB1CE-GR-40-LDRP-T
48	42.6	1083	33.4	847	2.50	63.5	9.75	247.4	HB1CE-GR-48-LDRP-H	HB1CE-GR-48-LDRP-T
59	54.5	1385	45.4	1152					HB1CE-GR-59-LDRP-H	HB1CE-GR-59-LDRP-T
71	66.3	1685	57.4	1457					HB1CE-GR-71-LDRP-H	HB1CE-GR-71-LDRP-T

Ordering: HB1 Assembly with desired hose length, HB1C Grooved Inlet Fitting, HB1C Elbow Fitting



asc-es.com

Building connections that last™

Fig. HB1 Ultra SprinkFlex® Hose Assembly: HB1C Grooved Inlet & HB1C 4" Short Drop

Fig. HB1 Assembly cULus Listing per UL 2443 & FM Approval (Listing) per FM 1637

Outlet Size	Assembly Length	Equivalent Length				Max # of 90° Bends	
		UL		FM		UL	FM
		In	ft	m	ft	m	#
½ NPS	25	16	4.9	13.7	4.2	4	1
	37	21	6.4	19.8	6.0	5	2
	45	34	10.4	21.6	6.6	8	3
	56	45	13.7	30.6	9.3	10	3
	68	55	16.8	35.5	10.8	12	4
¾ NPS	25	15	4.6	13.5	4.1	4	1
	37	23	7.0	19.6	6.0	5	2
	45	34	10.4	21.4	6.5	8	3
	56	48	14.6	30.4	9.3	10	3
	68	55	16.8	35.3	10.8	12	4

1. HB1 Assembly made with the 1" Grooved Inlet Nipple & 4" Long Straight Outlet Drop. HB1C components sold separately and installed per Installation Instructions.
2. Equivalent Length of NPS 1 (DN25) Sch 40 Pipe.
3. Equivalent Lengths listed above assume the maximum number of 90° bends.
4. A 90° bend can be achieved with two 45° bends or three 30° bends.
5. UL & FM Equivalent Lengths are listed for installation with sprinklers with a maximum k-factor of 16.8.

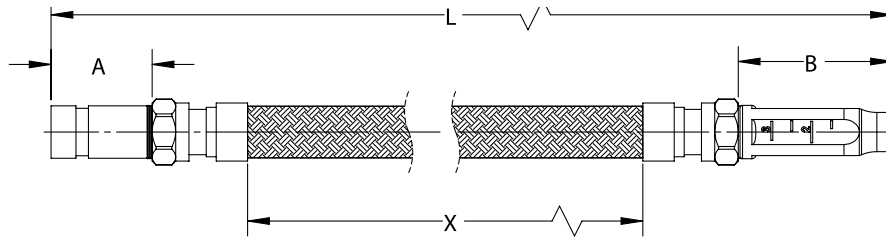


Fig. HB1 Assembly Dimensions & Model Number

Assembly Length	True Length (L)		Braid Length (X)		Inlet Nipple Length (A)				Outlet Drop Length (B)		SprinkFlex Historical Model Number	
	In	mm	In	mm	In	mm	In	mm	In	mm	½ NPS Outlet	¾ NPS Outlet
25	24.7	627	14.4	365							HB1-GR-28-SHDRP-H	HB1-GR-28-SHDRP-T
37	36.5	927	25.4	644							HB1-GR-40-SHDRP-H	HB1-GR-40-SHDRP-T
45	44.3	1125	33.4	847	2.50	63.5	3.80	96.5			HB1-GR-48-SHDRP-H	HB1-GR-48-SHDRP-T
56	56.2	1427	45.4	1152							HB1-GR-59-SHDRP-H	HB1-GR-59-SHDRP-T
68	68.0	1727	57.4	1457							HB1-GR-71-SHDRP-H	HB1-GR-71-SHDRP-T

Ordering: HB1 Assembly with desired hose length, HB1C Grooved Inlet Fitting, HB1C 4" Short Drop



asc-es.com

Building connections that last™

Fig. HB1 Ultra SprinkFlex® Hose

Elbow Assembly: HB1C Grooved Inlet, HB1C Elbow Fitting, & HB1C 4" Short Drop

Fig. HB1 Assembly cULus Listing per UL 2443 & FM Approval (Listing) per FM 1637

Outlet Size	Assembly Length	Equivalent Length				Max # of 90° Bends	
		UL		FM		UL	FM
		In	ft	m	ft	m	#
½ NPS	25	18	5.5	17.5	5.4	4	1
	37	23	7.0	23.6	7.3	5	2
	45	36	11.0	25.4	7.8	8	3
	56	48	14.6	34.4	10.5	10	3
	68	57	17.4	39.3	12.0	12	4
¾ NPS	25	17	5.2	16.7	5.3	4	1
	37	25	7.6	22.8	7.2	5	2
	45	36	11.0	24.6	7.7	8	3
	56	49	15.0	33.6	10.5	10	3
	68	57	17.4	38.5	12.0	12	4

1. HB1 Assembly with the 1" Grooved Inlet Nipple, 4" Short Straight Outlet Drop, & Elbow Fitting. HB1C components sold separately and installed per Installation Instructions.
2. Equivalent Length of NPS 1 (DN25) Sch 40 Pipe.
3. Equivalent Lengths listed above assume the maximum number of 90° bends.
4. A 90° bend can be achieved with two 45° bends or three 30° bends.
5. UL & FM Equivalent Lengths are listed for installation with sprinklers with a maximum k-factor of 16.8.

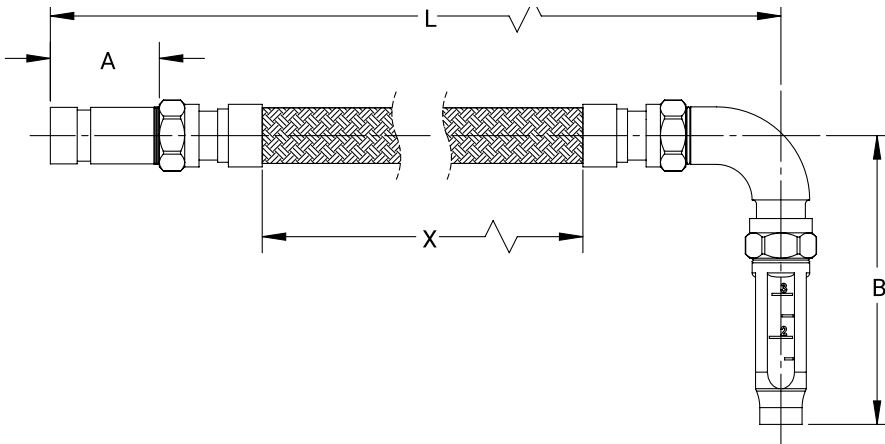


Fig. HB1 Assembly Dimensions & Model Number

Assembly Length	True Length (L)		Braid Length (X)		Inlet Nipple Length (A)		Outlet Drop Length (B)		SprinkFlex Historical Model Number	
	In	mm	In	mm	In	mm	In	mm	½ NPS Outlet	¾ NPS Outlet
25	23.0	585	14.4	365					HB1CE-GR-28-SHDRP-H	HB1CE-GR-28-SHDRP-T
37	34.8	884	25.4	644					HB1CE-GR-40-SHDRP-H	HB1CE-GR-40-SHDRP-T
45	42.6	1083	33.4	847	2.50	63.5	6.80	172.7	HB1CE-GR-48-SHDRP-H	HB1CE-GR-48-SHDRP-T
56	54.5	1385	45.4	1152					HB1CE-GR-59-SHDRP-H	HB1CE-GR-59-SHDRP-T
68	66.3	1685	57.4	1457					HB1CE-GR-71-SHDRP-H	HB1CE-GR-71-SHDRP-T

Ordering: HB1 Assembly with desired hose length, HB1C Grooved Inlet Fitting, HB1C 4" Short Drop, HB1C Elbow Fitting



asc-es.com

Building connections that last™

Fig. HB1 Ultra SprinkFlex® Hose Assembly: HB1C Grooved Inlet & HB1C 13" X-Long Drop

Fig. HB1 Assembly cULus Listing per UL 2443 & FM Approval (Listing) per FM 1637

Outlet Size	Assembly Length	Equivalent Length				Max # of 90° Bends	
		UL		FM		UL	FM
		In	ft	m	ft	m	#
½ NPS	34	16	4.9	16.7	5.1	4	1
	46	23	7.0	22.8	6.9	5	2
	54	35	10.7	24.6	7.5	8	3
	65	48	14.6	33.6	10.2	10	3
¾ NPS	34	15	4.6	16.5	5.0	4	1
	46	23	7.0	22.6	6.9	5	2
	54	35	10.7	24.4	7.4	8	3
	65	48	14.6	33.4	10.2	10	3

1. HB1 Assembly made with the 1" Grooved Inlet Nipple & 13" Long Straight Outlet Drop. HB1C components sold separately and installed per Installation Instructions.
2. Equivalent Length of NPS 1 (DN25) Sch 40 Pipe.
3. Equivalent Lengths listed above assume the maximum number of 90° bends.
4. A 90° bend can be achieved with two 45° bends or three 30° bends.
5. UL & FM Equivalent Lengths are listed for installation with sprinklers with a maximum k-factor of 16.8.

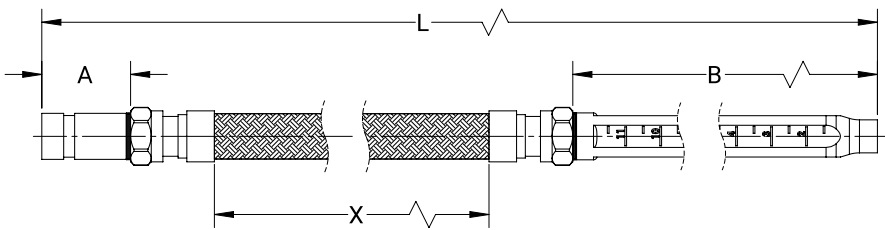


Fig. HB1 Assembly Dimensions & Model Number

Assembly Length	True Length (L)		Braid Length (X)		Inlet Nipple Length (A)				Outlet Drop Length (B)				SprinkFlex Historical Model Number	
	In	mm	In	mm	In	mm	In	mm	In	mm	In	mm	½ NPS Outlet	¾ NPS Outlet
34	33.4	847	14.4	365	2.50	63.5	12.50	317.5	HB1-GR-28-XLDRP-H	HB1-GR-28-XLDRP-T				
46	42.2	1147	25.4	644										
54	52.9	1345	33.4	847										
65	64.9	1647	45.4	1152										

Ordering: HB1 Assembly with the desired hose length, HB1C 13" X-Long Drop



asc-es.com

Building connections that last™

Fig. HB1 Ultra SprinkFlex® Hose

Elbow Assembly: HB1C Grooved Inlet, HB1C Elbow Fitting, & HB1C 13" X-Long Drop

Fig. HB1 Assembly cULus Listing per UL 2443 & FM Approval (Listing) per FM 1637

Outlet Size	Assembly Length	Equivalent Length				Max # of 90° Bends	
		UL		FM		UL	FM
		In	ft	m	ft	m	#
½ NPS	34	-	-	20.7	6.3	4	1
	46	-	-	26.8	8.2	5	2
	54	-	-	28.6	8.7	8	3
	65	-	-	37.6	11.5	10	3
¾ NPS	34	-	-	20.5	6.2	4	1
	46	-	-	26.6	8.1	5	2
	54	-	-	28.4	8.7	8	3
	65	-	-	37.4	11.4	10	3

1. HB1 Assembly with the 1" Grooved Inlet Nipple, 13" Short Straight Outlet Drop, & Elbow Fitting. HB1C components sold separately and installed per Installation Instructions.
2. Equivalent Length of NPS 1 (DN25) Sch 40 Pipe.
3. Equivalent Lengths listed above assume the maximum number of 90° bends.
4. A 90° bend can be achieved with two 45° bends or three 30° bends.
5. UL & FM Equivalent Lengths are listed for installation with sprinklers with a maximum k-factor of 16.8.

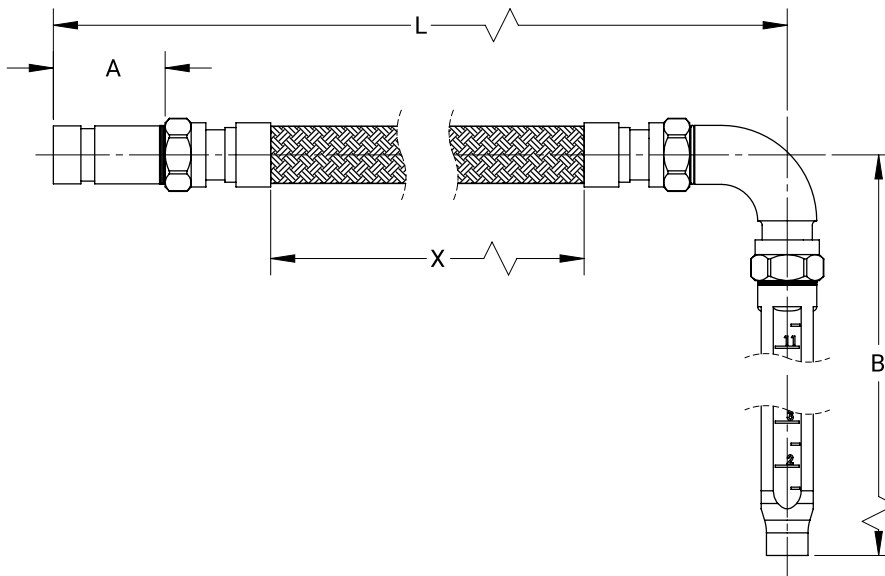


Fig. HB1 Assembly Dimensions & Model Number

Assembly Length	True Length (L)		Braid Length (X)		Inlet Nipple Length (A)		Outlet Drop Length (B)		SprinkFlex Historical Model Number	
	In	mm	In	mm	In	mm	In	mm	½ NPS Outlet	¾ NPS Outlet
34	23.0	585	14.4	365	2.50	63.5	15.50	393.7	HB1CE-GR-28-XLDRP-H	HB1CE-GR-28-XLDRP-T
46	34.8	884	25.4	644					HB1CE-GR-40-XLDRP-H	HB1CE-GR-40-XLDRP-T
54	42.6	1083	33.4	847					HB1CE-GR-48-XLDRP-H	HB1CE-GR-48-XLDRP-T
65	54.5	1385	45.4	1152					HB1CE-GR-59-XLDRP-H	HB1CE-GR-59-XLDRP-T

Ordering: HB1 Assembly with desired hose length, HB1C Grooved Inlet Fitting, HB1C 13" X-Long Drop, HB1C Elbow Fitting



asc-es.com

Building connections that last™

Fig. HB1 Ultra SprinkFlex® Hose Assembly: HB1C Welded Inlet & HB1C 7" Long Drop

Fig. HB1 Assembly cULus Listing per UL 2443 & FM Approval (Listing) per FM 1637

Outlet Size	Assembly Length	Equivalent Length				Max # of 90° Bends	
		UL		FM		UL	FM
		In	ft	m	ft	m	#
½ NPS	28	16	4.9	13.5	4.1	4	1
	40	20	7.0	19.6	6.0	5	2
	48	34	10.4	21.4	6.5	8	3
	59	44	14.6	30.4	9.3	10	3
	71	56	17.1	35.3	10.8	12	4
¾ NPS	28	15	4.6	13.4	4.1	4	1
	40	23	7.0	19.5	5.9	5	2
	48	34	10.4	21.3	6.5	8	3
	59	48	14.6	30.3	9.2	10	3
	71	56	17.1	35.2	10.7	12	4

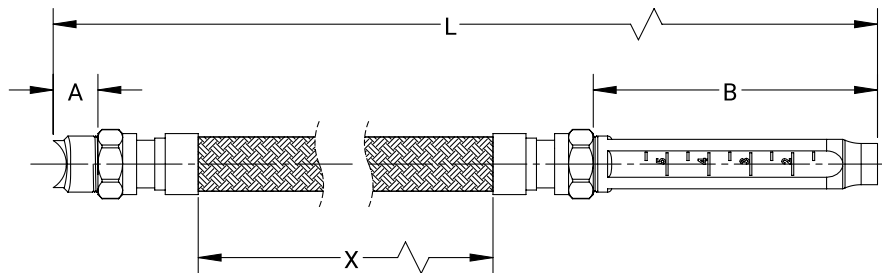


Fig. HB1 Assembly Dimensions & Model Number

Assembly Length	True Length (L)		Braid Length (X)		Inlet Nipple Length (A)				Outlet Drop Length (B)		SprinkFlex Historical Model Number	
	In	mm	In	mm	In	mm	In	mm	In	mm	½ NPS Outlet	¾ NPS Outlet
28	26.1	663	14.4	365							HB1-WI-28-LDRP-H	HB1-WI-28-LDRP-T
40	37.9	963	25.4	644							HB1-WI-40-LDRP-H	HB1-WI-40-LDRP-T
48	45.7	1161	33.4	847	1.00	25.4	6.75	171.5			HB1-WI-48-LDRP-H	HB1-WI-48-LDRP-T
59	57.6	1463	45.4	1152							HB1-WI-59-LDRP-H	HB1-WI-59-LDRP-T
71	69.4	1763	57.4	1457							HB1-WI-71-LDRP-H	HB1-WI-71-LDRP-T

1. HB1 Assembly comes with the Welded Inlet Nipple & 7" Long Straight Outlet Drop. Welded Inlet Nipple may be welded to 1¼"-5" Schedule 10 & 40 Pipes. HB1C components sold separately and installed per Installation Instructions.
2. Equivalent Length of NPS 1 (DN25) Sch 40 Pipe.
3. Equivalent Lengths listed above assume the maximum number of 90° bends.
4. A 90° bend can be achieved with two 45° bends or three 30° bends.
5. UL & FM Equivalent Lengths are listed for installation with sprinklers with a maximum k-factor of 16.8.

Ordering: HB1 Assembly with desired hose length, HB1C Welded Inlet Fitting



asc-es.com

Building connections that last™

Fig. HB1 Ultra SprinkFlex® Hose

Elbow Assembly: HB1C Welded Inlet, HB1C Elbow Fitting, & HB1C 7" Long Drop

Fig. HB1 Assembly cULus Listing per UL 2443 & FM Approval (Listing) per FM 1637

Outlet Size	Assembly Length	Equivalent Length				Max # of 90° Bends	
		UL		FM		UL	FM
		in	ft	m	ft	m	#
½ NPS	28	18	5.5	17.5	5.3	4	1
	40	22	6.7	23.6	7.2	5	2
	48	36	11.0	25.4	7.7	8	3
	59	46	14.0	34.4	10.5	10	3
	71	-	-	39.3	12.0	12	4
¾ NPS	28	17	5.2	17.4	5.3	4	1
	40	25	7.6	23.5	7.2	5	2
	48	36	11.0	25.3	7.7	8	3
	59	49	15.0	34.3	10.5	10	3
	71	-	-	39.2	11.9	12	4

1. HB1 Assembly with the Welded Inlet Nipple, 7" Long Straight Outlet Drop, & Elbow Fitting. Welded Inlet Nipple may be welded to 1¼"-5" Schedule 10 & 40 Pipes. HB1C components sold separately and installed per Installation Instructions.
2. Equivalent Length of NPS 1 (DN25) Sch 40 Pipe.
3. Equivalent Lengths listed above assume the maximum number of 90° bends.
4. A 90° bend can be achieved with two 45° bends or three 30° bends.
5. UL & FM Equivalent Lengths are listed for installation with sprinklers with a maximum k-factor of 16.8.

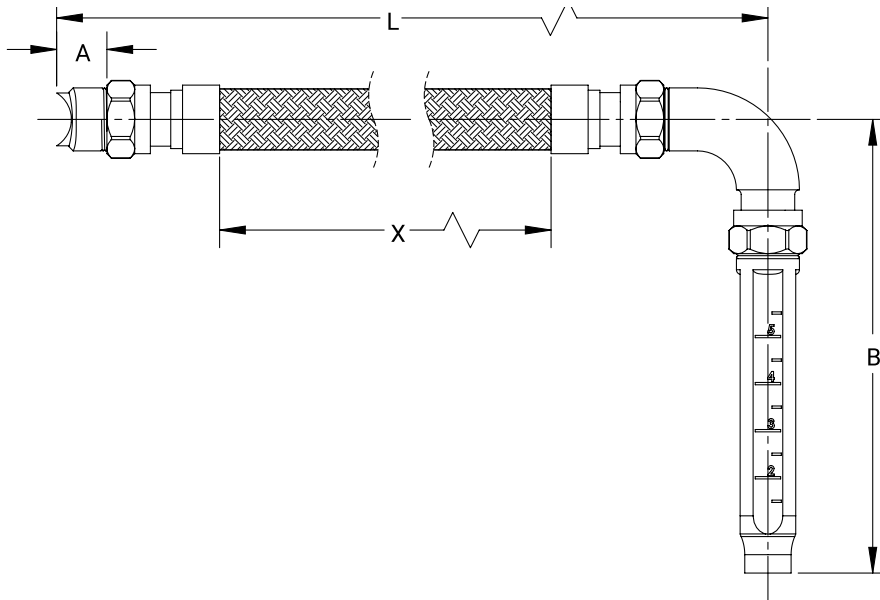


Fig. HB1 Assembly Dimensions & Model Number

Assembly Length	True Length (L)		Braid Length (X)		Inlet Nipple Length (A)		Outlet Drop Length (B)		SprinkFlex Historical Model Number	
	in	mm	in	mm	in	mm	in	mm	½ NPS Outlet	¾ NPS Outlet
28	21.5	547	14.4	365					HB1CE-WI-28-LDRP-H	HB1CE-WI-28-LDRP-T
40	33.3	846	25.4	644					HB1CE-WI-40-LDRP-H	HB1CE-WI-40-LDRP-T
48	41.1	1044	33.4	847	1.00	25.4	9.75	247.7	HB1CE-WI-48-LDRP-H	HB1CE-WI-48-LDRP-T
59	53.0	1347	45.4	1152					HB1CE-WI-59-LDRP-H	HB1CE-WI-59-LDRP-T
71	64.8	1646	57.4	1457					HB1CE-WI-71-LDRP-H	HB1CE-WI-71-LDRP-T

Ordering: HB1 Assembly with desired hose length, HB1C Welded Inlet Fitting, HB1C Elbow Fitting



asc-es.com

Building connections that last™

Fig. HB1 Ultra SprinkFlex® Hose Assembly: HB1C Welded Inlet & HB1C 4" Short Drop

Fig. HB1 Assembly cULus Listing per UL 2443 & FM Approval (Listing) per FM 1637

Outlet Size	Assembly Length	Equivalent Length				Max # of 90° Bends	
		UL		FM		UL	FM
		In	ft	m	ft	m	#
½ NPS	25	16	4.9	12.7	3.9	4	1
	37	21	6.4	18.8	5.7	5	2
	45	34	10.4	20.6	6.3	8	3
	56	45	13.7	29.6	9.0	10	3
	68	55	16.8	34.5	10.5	12	4
¾ NPS	25	15	4.6	12.5	3.8	4	1
	37	23	7.0	18.6	5.7	5	2
	45	34	10.4	20.4	6.2	8	3
	56	48	14.6	29.4	9.0	10	3
	68	55	16.8	34.3	10.5	12	4

1. HB1 Assembly made with the Welded Inlet Nipple & 4" Long Straight Outlet Drop. Welded Inlet Nipple may be welded to 1¼"-5" Schedule 10 & 40 Pipes. HB1C components sold separately and installed per Installation Instructions.
2. Equivalent Length of NPS 1 (DN25) Sch 40 Pipe.
3. Equivalent Lengths listed above assume the maximum number of 90° bends.
4. A 90° bend can be achieved with two 45° bends or three 30° bends.
5. UL & FM Equivalent Lengths are listed for installation with sprinklers with a maximum k-factor of 16.8.

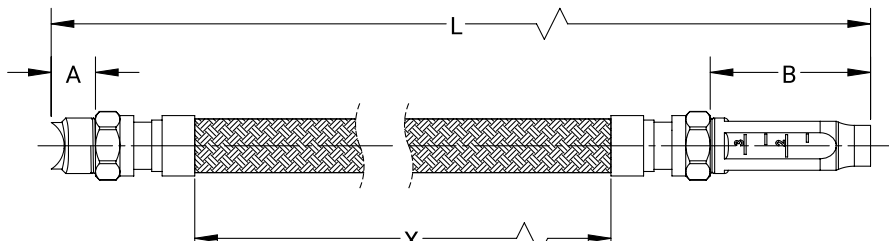


Fig. HB1 Assembly Dimensions & Model Number

Assembly Length	True Length (L)		Braid Length (X)		Inlet Nipple Length (A)		Outlet Drop Length (B)		SprinkFlex Historical Model Number	
	In	mm	In	mm	In	mm	In	mm	½ NPS Outlet	¾ NPS Outlet
25	23.2	589	14.4	365					HB1-WI-28-SHDRP-H	HB1-WI-28-SHDRP-T
37	35.0	889	25.4	644					HB1-WI-40-SHDRP-H	HB1-WI-40-SHDRP-T
45	42.8	1087	33.4	847	1.00	25.4	3.80	96.5	HB1-WI-48-SHDRP-H	HB1-WI-48-SHDRP-T
56	54.7	1389	45.4	1152					HB1-WI-59-SHDRP-H	HB1-WI-59-SHDRP-T
68	66.5	1689	57.4	1457					HB1-WI-71-SHDRP-H	HB1-WI-71-SHDRP-T

Ordering: HB1 Assembly with desired hose length, HB1C Welded Inlet Fitting, HB1C 4" Short Drop



asc-es.com

Building connections that last™

Fig. HB1 Ultra SprinkFlex® Hose Elbow Assembly: HB1C Welded Inlet, HB1C Elbow Fitting, & HB1C 4" Short Drop

Fig. HB1 Assembly cULus Listing per UL 2443 & FM Approval (Listing) per FM 1637

Outlet Size	Assembly Length	Equivalent Length				Max # of 90° Bends	
		UL		FM		UL	FM
		In	ft	m	ft	m	#
½ NPS	25	18	5.5	16.7	5.1	4	1
	37	23	7.0	22.8	6.9	5	2
	45	36	11.0	24.6	7.5	8	3
	56	48	14.6	33.6	10.2	10	3
	68	57	17.4	38.5	11.7	12	4
¾ NPS	25	17	5.2	16.5	5.0	4	1
	37	25	7.6	22.6	6.9	5	2
	45	36	11.0	24.4	7.4	8	3
	56	49	15.0	33.4	10.2	10	3
	68	57	17.4	38.3	11.7	12	4

1. HB1 Assembly with the Welded Inlet Nipple, 4" Short Straight Outlet Drop, & Elbow Fitting. Welded Inlet Nipple may be welded to 1 ¼"-5" Schedule 10 & 40 Pipes. HB1C components sold separately and installed per Installation Instructions.
2. Equivalent Length of NPS 1 (DN25) Sch 40 Pipe.
3. Equivalent Lengths listed above assume the maximum number of 90° bends.
4. A 90° bend can be achieved with two 45° bends or three 30° bends.
5. UL & FM Equivalent Lengths are listed for installation with sprinklers with a maximum k-factor of 16.8.

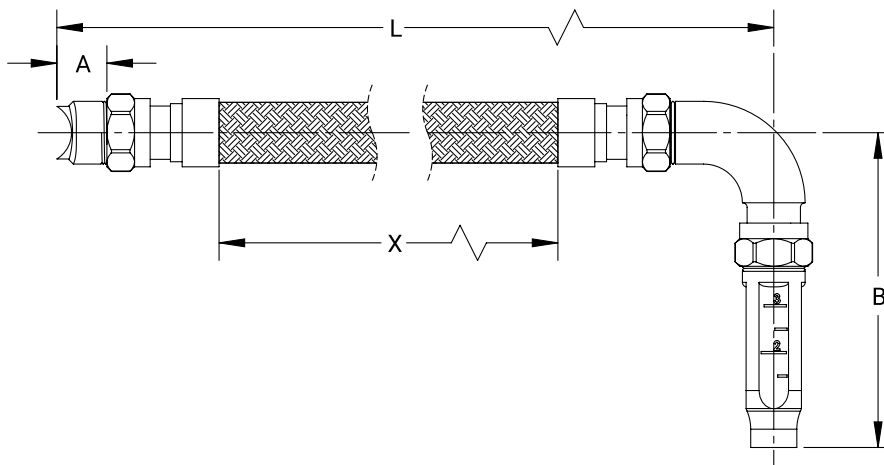


Fig. HB1 Assembly Dimensions & Model Number

Assembly Length	True Length (L)		Braid Length (X)		Inlet Nipple Length (A)		Outlet Drop Length (B)			SprinkFlex Historical Model Number		
	In	mm	In	mm	In	mm	In	mm	In	mm	½ NPS Outlet	¾ NPS Outlet
25	21.5	547	14.4	365							HB1CE-WI-28-SHDRP-H	HB1CE-WI-28-SHDRP-T
37	33.3	846	25.4	644							HB1CE-WI-40-SHDRP-H	HB1CE-WI-40-SHDRP-T
45	41.1	1044	33.4	847	1.00	25.4	6.80	172.7			HB1CE-WI-48-SHDRP-H	HB1CE-WI-48-SHDRP-T
56	53.0	1347	45.4	1152							HB1CE-WI-59-SHDRP-H	HB1CE-WI-59-SHDRP-T
68	64.8	1646	57.4	1457							HB1CE-WI-71-SHDRP-H	HB1CE-WI-71-SHDRP-T

Ordering: HB1 Assembly with desired hose length, HB1C Welded Inlet Fitting, HB1C 4" Short Drop, HB1C Elbow Fitting



asc-es.com

Building connections that last™

Fig. HB1 Ultra SprinkFlex® Hose Assembly: HB1C Welded Inlet & HB1C 13" X-Long Drop

Fig. HB1 Assembly cULus Listing per UL 2443 & FM Approval (Listing) per FM 1637

Outlet Size	Assembly Length	Equivalent Length				Max # of 90° Bends	
		UL		FM		UL	FM
		In	ft	m	ft	m	#
½ NPS	34	16	4.9	15.7	4.8	4	1
	46	23	7.0	21.8	6.6	5	2
	54	35	10.7	23.6	7.2	8	3
	65	48	14.6	32.6	9.9	10	3
¾ NPS	34	15	4.6	15.5	4.7	4	1
	46	23	7.0	21.6	6.6	5	2
	54	35	10.7	23.4	7.1	8	3
	65	48	14.6	32.4	9.9	10	3

1. HB1 Assembly made with the Welded Inlet Nipple & 13" Long Straight Outlet Drop. Welded Inlet Nipple may be welded to 1 ¼"-5" Schedule 10 & 40 Pipes. HB1C components sold separately and installed per Installation Instructions.
2. Equivalent Length of NPS 1 (DN25) Sch 40 Pipe.
3. Equivalent Lengths listed above assume the maximum number of 90° bends.
4. A 90° bend can be achieved with two 45° bends or three 30° bends.
5. UL & FM Equivalent Lengths are listed for installation with sprinklers with a maximum k-factor of 16.8.

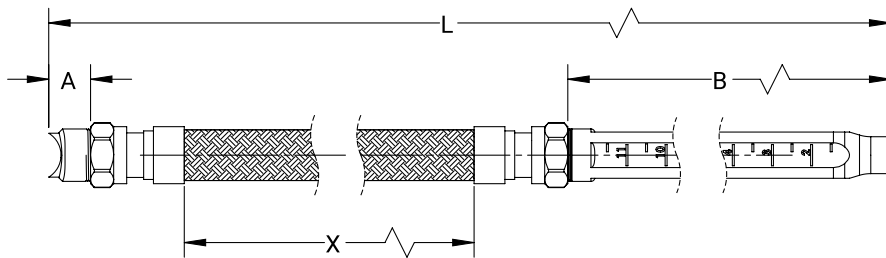


Fig. HB1 Assembly Dimensions & Model Number

Assembly Length	True Length (L)		Braid Length (X)		Inlet Nipple Length (A)		Outlet Drop Length (B)		SprinkFlex Historical Model Number	
	In	mm	In	mm	In	mm	In	mm	½ NPS Outlet	¾ NPS Outlet
34	31.8	809	14.4	365	1.00	25.4	12.50	317.5	HB1-WI-28-XLDRP-H	HB1-WI-28-XLDRP-T
46	43.6	1109	25.4	644					HB1-WI-40-XLDRP-H	HB1-WI-40-XLDRP-T
54	54.4	1307	33.4	847					HB1-WI-48-XLDRP-H	HB1-WI-48-XLDRP-T
65	63.3	1609	45.4	1152					HB1-WI-59-XLDRP-H	HB1-WI-59-XLDRP-T

Ordering: HB1 Assembly with desired hose length, HB1C Welded Inlet Fitting, HB1C 13" X-Long Drop



asc-es.com

Building connections that last™

Fig. HB1 Ultra SprinkFlex® Hose

Elbow Assembly: HB1C Welded Inlet, HB1C Elbow Fitting, & HB1C 13" X-Long Drop

Fig. HB1 Assembly cULus Listing per UL 2443 & FM Approval (Listing) per FM 1637

Outlet Size	Assembly Length	Equivalent Length				Max # of 90° Bends	
		UL		FM		UL	FM
		In	ft	m	ft	m	#
½ NPS	34	-	-	19.7	6.0	4	1
	46	-	-	25.8	7.9	5	2
	54	-	-	27.6	8.4	8	3
	65	-	-	36.6	11.2	10	3
¾ NPS	34	-	-	19.5	5.9	4	1
	46	-	-	25.6	7.8	5	2
	54	-	-	27.4	8.4	8	3
	65	-	-	36.4	11.1	10	3

1. HB1 Assembly with the Welded Inlet Nipple, 13" Short Straight Outlet Drop, & Elbow Fitting. Welded Inlet Nipple may be welded to 1 ¼"-5" Schedule 10 & 40 Pipes. HB1C components sold separately and installed per Installation Instructions.
2. Equivalent Length of NPS 1 (DN25) Sch 40 Pipe.
3. Equivalent Lengths listed above assume the maximum number of 90° bends.
4. A 90° bend can be achieved with two 45° bends or three 30° bends.
5. UL & FM Equivalent Lengths are listed for installation with sprinklers with a maximum k-factor of 16.8.

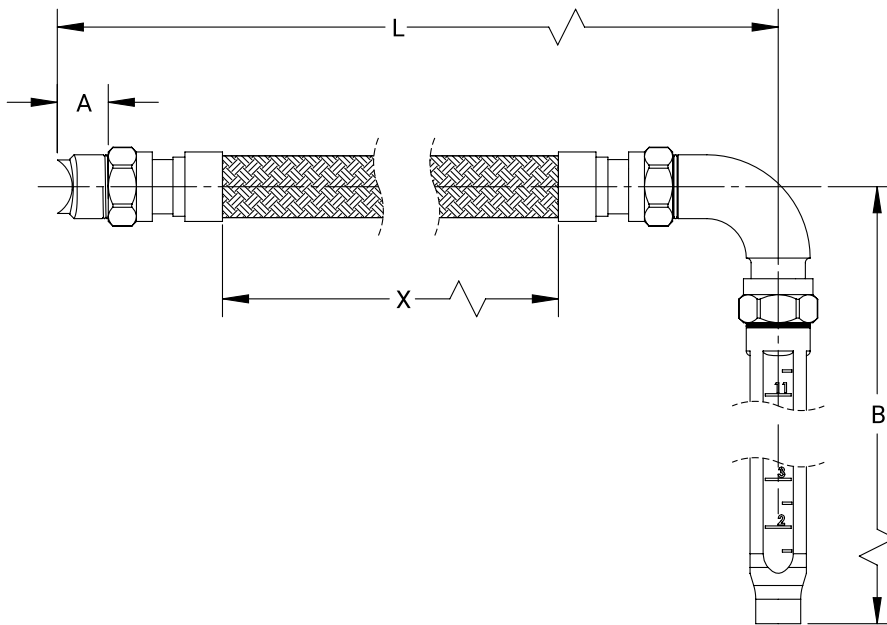


Fig. HB1 Assembly Dimensions & Model Number

Assembly Length	True Length (L)		Braid Length (X)		Inlet Nipple Length (A)				Outlet Drop Length (B)		SprinkFlex Historical Model Number	
	In	mm	In	mm	In	mm	In	mm	In	mm	½ NPS Outlet	¾ NPS Outlet
34	21.5	547	14.4	365							HB1CE-WI-28-XLDRP-H	HB1CE-WI-28-XLDRP-T
46	33.3	846	25.4	644	1.00	25.4	15.50	393.7			HB1CE-WI-40-XLDRP-H	HB1CE-WI-40-XLDRP-T
54	41.1	1044	33.4	847					HB1CE-WI-48-XLDRP-H	HB1CE-WI-48-XLDRP-T		
65	53.0	1347	45.4	1152					HB1CE-WI-59-XLDRP-H	HB1CE-WI-59-XLDRP-T		

Ordering: HB1 Assembly with desired hose length, HB1C Welded Inlet Fitting, HB1C 13" X-Long Drop, HB1C Elbow Fitting



asc-es.com

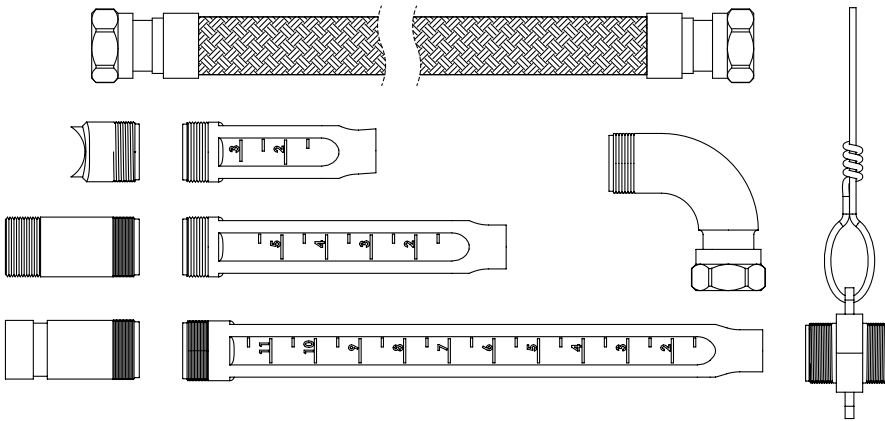
Building connections that last™

Fig. HB1 Ultra SprinkFlex® Hose HB1C Components – FM Approvals

Fig. HB1C FM Approval (Listing) per FM 1637

HB1C Component	Size or Length	Equivalent Length		Max # of 90° Bends
	In	ft	m	
Hose Components	19	4.3	1.3	1
	30	10.4	3.2	2
	38	12.2	3.7	3
	50	21.2	6.5	3
	62	26.1	8.0	4
Inlet Nipples	1" Threaded Inlet	1.0	0.3	-
	1" Grooved Inlet	1.0	0.3	-
	1" Welded Inlet	0.0	0.0	-
Straight Outlet Drops	4 x ½	8.4	2.6	-
	4 x ¾	8.2	2.5	-
	7 x ½	9.2	2.8	-
	7 x ¾	9.1	2.8	-
	13 x ½	11.4	3.5	-
	13 x ¾	11.2	3.4	-
Elbow Adapter	-	4.0	1.2	-
Hanger Fitting	-	1.0	0.3	-

1. Equivalent Lengths of components may be added together to determine the Equivalent Length of the complete HB1C Assembly.
2. Equivalent Length of NPS 1 (DN25) Sch 40 Pipe.
3. Equivalent Lengths listed above assume the maximum number of 90° bends.
4. A 90° bend can be achieved with two 45° bends or three 30° bends.
5. FM Equivalent Lengths are listed for installation with sprinklers with a maximum k-factor of 16.8.



asc-es.com

Building connections that last™

Fig. HB1 Ultra SprinkFlex® Hose

Threaded Connection to the Branch (HB1C Threaded Inlet)

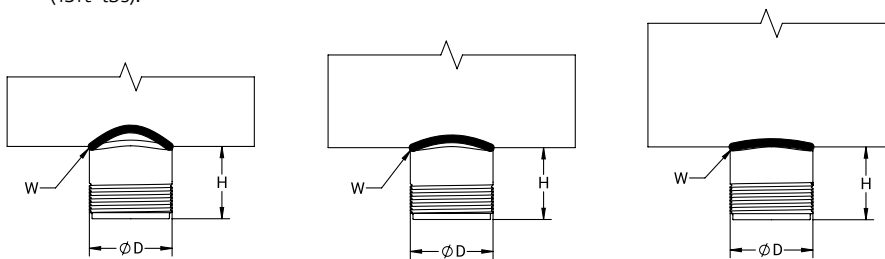
1. Separate the threaded inlet nipple (if necessary) from the flexible hose. Apply pipe sealant or tape to the NPT thread on the threaded inlet nipple and install into the branch outlet. **Note:** Only place the pipe wrench on the unthreaded portion of the inlet nipple.
2. Examine the O-ring in the threaded hex union attached to the end of the hose. Ensure it is seated properly and free of debris.
3. Ensure the arrow on the hose is pointing in the direction of flow. Tighten the threaded hex union at the end of the braided hose to the inlet nipple. Hand tight plus ½ turn (15ft-lbs).

Grooved Connection to the Branch (HB1C Grooved Inlet)

1. Separate the grooved inlet nipple (if necessary) from the flexible hose. Connect to the branch outlet using a grooved coupling.
2. Examine the O-ring in the threaded hex union attached to the end of the hose. Ensure it is seated properly and free of debris.
3. Ensure the arrow on the hose is pointing in the direction of flow. Tighten the threaded hex union at the end of the braided hose to the inlet nipple. Hand tight plus ½ turn (15ft-lbs).

Welded Connection to the Branch (HB1C Welded Inlet)

1. Drill a 1.250" (31.75mm) hole at the desired location on the branch pipe. Welded Inlet Nipple may be welded to 1¼" - 5" Schedule 10 & 40 Pipes.
2. Center the Welded Inlet on the hole with the Flow direction arrow pointing towards the sprinkler.
3. Weld the Welded Inlet per the requirements of NFPA 13 and all other local code requirements.
4. Examine the O-ring in the threaded hex union attached to the end of the hose. Ensure it is seated properly and free of debris.
5. Ensure the arrow on the hose is pointing in the direction of flow. Tighten the threaded hex union at the end of the braided hose to the inlet nipple. Hand tight plus ½ turn (15ft-lbs).



HB1C Weld Inlet Installed Dimensions

D		H		W*	
In	mm	In	mm	In	mm
1.315	33.4	1.00	25.4	0.125	3.2

Note: The Weld Inlet was UL & FM tested with a 1/8" weld bead. The weld should follow the outline of the pipe, which will vary for the different pipe sizes. All welds shall meet the requirements of NFPA 13.

Bending the Hose

1. The hose may be bent to ensure the inlet nipple and outlet drop are in the desired locations.
2. The hose should never be bent to a radius less than minimum listed bend radius. The bend radius is defined to the center of the hose.
3. The hose must have at least one 90° bend. A 90° bend can be achieved with two 45° bends or three 30° bends.
4. For best performance, the bends in the hose should be as large and smooth as possible.



asc-es.com

Building connections that last™

Fig. HB1 Ultra SprinkFlex® Hose

Connection to the Bracket

1. Installation of the outlet drop to the bracket shall be per the bracket's installation instructions. The bracket shall be listed for installation with the HB1. See Page 1 for Listed and Approved brackets.
2. Examine the O-ring in the threaded hex union attached to the end of the hose. Ensure it is seated properly and free of debris.
3. Tighten the threaded hex union at the end of the braided hose to the outlet drop. Hand tight plus ½ turn (15ft-lbs).

Connection to the Sprinkler Head

1. Installation of the sprinkler head into the outlet drop shall be per the sprinkler manufacturer's installation instructions.

Connection to the HB1C Hanger Fitting (FM Only)

1. The HB1C Hanger Fitting must be supported with hanger wire attached to the structure.
2. Hanger wire & installation shall meet the requirement of ASTM C636.
3. Hanger wires should be a minimum 12-gauge galvanized, soft annealed, mild steel wire.
4. Hanger wire must be wrapped around itself a minimum of three full turns within 3".

General Installation Notes

1. Never apply a wrench to the braided hose.
2. The Fig HB1 may be installed in any direction from the branch.
3. If installing a sprinkler to the hose after installation to the bracket, it is best practice to prevent twisting of the bracket and hose by holding the outlet drop with a wrench.



asc-es.com

Building connections that last™