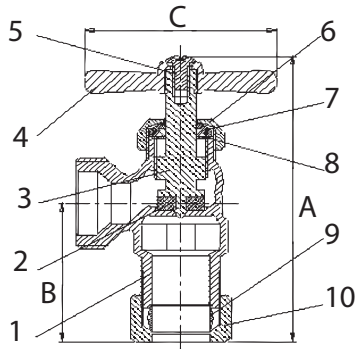


LEAD-FREE WASHING MACHINE VALVE, FIP



- California AB1953 lead-free approved
- Meets federal Safe Water Drinking Water Act, lead-free requirement
- Cast brass
- Chrome plated
- 3/4" hose thread outlet
- Pipe threads comply with ANSI B1.20.1
- Hose threads comply with ANSI B1.20.7
- 1/2" NPT



No.	Part	Material
1	Body	C.P. Cast Brass ASTM B-584, C89550
2	Bibb Washer	Rubber (NBR)
3	Stem	C.P. Cast Brass ASTM B-584, C89550
4	Handle	C.P. Zinc
5	Screw	C.P. Brass ASTM B-134, C27000
6	Packing Nut	C.P. Brass ASTM B-124, C37000
7	Packing Washer	Rubber (NBR)
8	S.S. Washer	Stainless Steel 304
9	Brass Ring	Brass ASTM B-124, C37700
10	Coupling Nut	C.P. Brass ASTM B-124, C37700

USA 800-766-0076

Fax 323-890-4456

www.smithcooper.com

Los Angeles, CA

Chicago, IL

Atlanta, GA

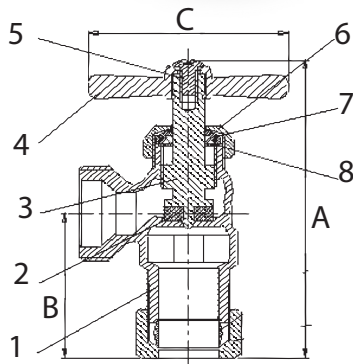
Vancouver, WA

Size IN	Part Number	Weight LB	A IN	B IN	C IN
1/2	0190120GL	0.37	3.50	1.56	2.09

LEAD-FREE WASHING MACHINE VALVE, COMPRESSION



- California AB1953 lead-free approved
- Meets federal Safe Water Drinking Water Act, lead-free requirement
- Cast brass
- Chrome plated
- 3/4" hose thread outlet
- Pipe threads comply with ANSI B1.20.1
- Hose threads comply with ANSI B1.20.7



No.	Part	Material
1	Body	C.P. Cast Brass ASTM B-584, C89550
2	Bibb Washer	Rubber (NBR)
3	Stem	C.P. Cast Brass ASTM B-584, C89550
4	Handle	C.P. Zinc
5	Screw	C.P. Brass ASTM B-134, C27000
6	Packing Nut	C.P. Brass ASTM B-124, C37000
7	Packing Washer	Rubber (NBR)
8	S.S. Washer	Stainless Steel 304

Size IN	Part Number	Weight LB	A IN	B IN	C IN
5/8 OD	0190125GL	0.37	3.50	1.56	2.09

USA 800-766-0076

Fax 323-890-4456

www.smithcooper.com

Los Angeles, CA

Chicago, IL

Atlanta, GA

Vancouver, WA