

Building connections that last™



YT-1000 & YT-1200

Standard Positioner Datasheet



Electro-Pneumatic Positioner YT-1000

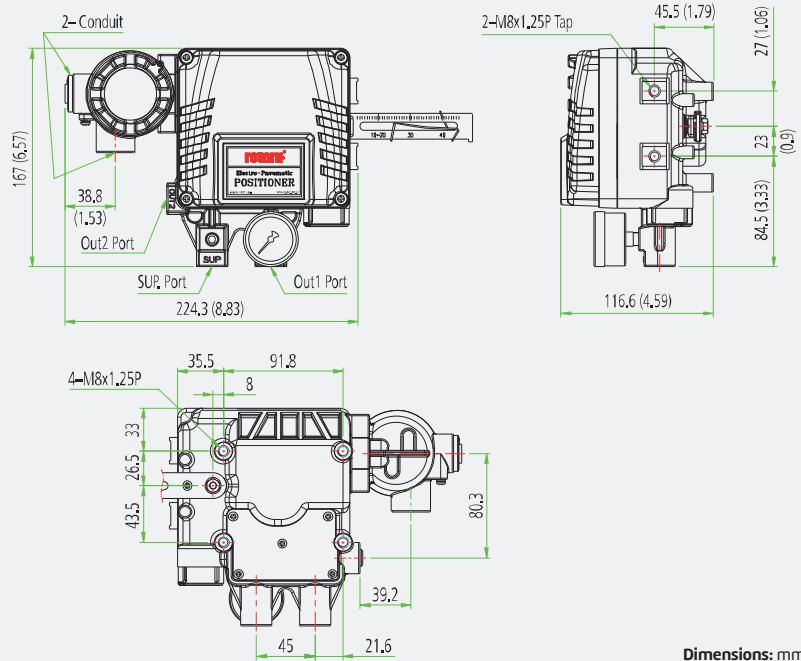


Design Features

- **Simple zero and span adjustment.** Internal hand dials and locking screws for 4 to 20 mA range adjustments.
- **Reverse and direct acting settings.** Full and ½ split range setting by simple adjustment.
- **High vibration resistant.** No resonance between 5 to 200 Hz.
- **Internal feedback option.** Available on weatherproof model only.
- **Auto / manual switch.** Internal adjustment with lock screw safety.



YT-1000 Aluminum Enclosure



Dimensions: mm (Inches ")



Electro-Pneumatic Positioner YT-1000



Item Type		YT-1000
Input Signal		4 to 20 mA DC
Impedance		250 ± 15 Ω
Supply Pressure		20 to 102 psi
Stroke	Rotary Type	55 to 100°
Air Connection		1/4 NPT
Gauge Connection		1/8 NPT
Conduit		1/2 NPT
Explosion Protection Type		ATEX / IECEx (II 2 G) Ex dmb IIB T5, Ex ia IIC T6 (YT-1000 only)
		INMETRO (II 2 G) Ex dmb IIB T5
		UKEX II 2G Ex db mb IIB T5 Gb, NEMA 4X
		KCs Ex dmb IIB T5 / T4 / Ex dmb IIC T5 / Ex ia IBB T6 Gb
		CSA (Class 1, Zone 1) Ex dm IIB T5
		FM CL I, Div 1. Groups C, D T5; CLII, III, Div 1, Groups E, F, G T5; Type 4X
		CCC, NEPSI Ex db mb IIB T5 Gb Ex db mb IIC T6 Gb Ex ia IIC T6 Gb
		TIIS Ex dmb IIB T5
		NEPSI Ex d mb IIB T5 Gb Ex d mb IIC T6 Gb Ex ia IIC T6 Ga
		PESO Ex db mb IIB T5 Gb Ex ia IIC T6 Gb
Ingress Protection		YT-1000: IP66, TYPE 4X (FM)
Linearity	Single	± 1% F.S.
	Double	± 2% F.S.
Hysteresis		± 1% F.S.
Sensitivity	Single	± 0.2% F.S.
	Double	± 0.5% F.S.
Repeatability		± 0.5% F.S.
Air Consumption		2.5 LPM (sup = 0.14 MPa) 0.8 CFM (sup = 20 psi)
Flow Capacity		80 LPM (sup = 0.14 MPa) 2.83 CFM (sup = 20 psi)
Material		Aluminum Diecasting
Weight		YT-1000R: 2.8 kg (6.2 lb)

Electro-Pneumatic Positioner YT-1000



Product Code	YT-1000	R	D	N	5	3	5	S	0	(0)
Model YT-1000 = Aluminum										
Motion Type R = Rotary (standard)										
Acting Type S = Single D = Double (standard)										
Explosion Protection¹ N = Non-explosionproof M ² = Ex db mb IIB T5 Gb: ATEX, IECEx, KCs, NEPSI (YT-1000 only), UKEX, PESO A = Ex d m IIB T5: CSA (YT-1000 only) C = Ex d m IIB T5: KCs (YT-1000 only) X = Ex dmb IIB T5: TIIS (YT-1000 only) i = Ex ia IIC T6 Gb (YT-1000 only): ATEX / IECEx, KCs, UKEX, PESO T = Ex db mb IIB T5 Gb: INMETRO Z = Ex db mb IIB T5 Gb: CCC, NEPSI B = Ex db mb IIC T6 Gb: CCC, NEPSI (YT-1000 only) G = Ex ia IIC T6 Gb: CCC, NEPSI (YT-1000 only) F = FM (YT-1000 only)										
Lever Type Rotary 5 = NAMUR										
Orifice Type 1 = Φ1 2 = Φ2 3 = None (standard)										
Conduit & Air Connection 5 = 1/2 NPT - 1/4 NPT (standard)										
Operating Temp. (Non-explosion proof)³ S = -20 to +70°C (-4 to +158°F) (standard) H = -20 to +120°C (-4 to +248°F) L = -40 to +70°C (-40 to +158°F)										
Option 1 (YT-1000R) 0= Dome Cover 1 = None (standard) 2 ⁴ = 4 to 20 mA feedback (Internal) 3 ⁴ = 4 to 20 mA feedback with LCD (Internal)										
Option 2 (YT-1000R only) 0 = None 1 = 4-20 mA Analogue Output (internal - only for non-explosion area protection) 2 = 4-20 mA Analogue Output (external, SPTM-6V, explosionproof) 3 = Limit Switch (2 ea), internal - only for non-explosion area protection). Requires Dome Cover 4 = Limit Switch (2 ea), external, YT-850 (non-explosion) or YT-870 (explosionproof) 5 = 4-20 mA Analogue Output + Limit Switch (2 ea) (internal - only for non-explosion area protection). Requires Dome Cover 6 = SPTM + Limit Switch (2 ea), external, YT-870, explosionproof										

- Notes:**
- Only S of Operating Temperature is available for M (except KCs), T, F, X, Z, B, G, i.
Only S, H of Operating Temperature are available for M (only KCs).
Only S, L of Operating Temperature are available for A and C.
 - Please put the name of the certificate in a purchase order.
 - This option is just the normal operating temperature of the product and is not related to explosion protection temperature. See certificates for explosion protection temperature.



Pneumatic Positioner YT-1200

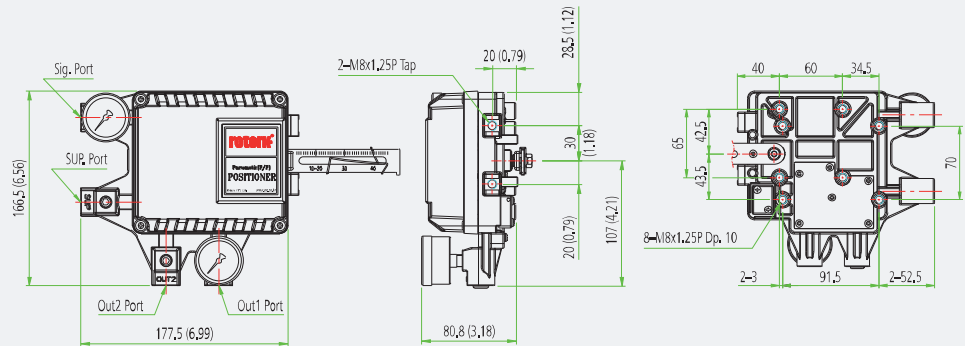


Design Features

- **Simple zero and span adjustment.** Internal hand dials and locking screws for 3 to 15 psi range adjustments.
- **Reverse and direct acting settings.** Full and ½ split range setting by simple adjustment.
- **High vibration resistant.** No resonance between 5 to 200 Hz.
- **Auto / manual switch.** Internal adjustment with lock screw safety.



YT-1200 Aluminum Enclosure



Dimensions: mm (Inches ")

Item Type

YT-1200R

		Single	Double
	Input Signal		3 to 15 psi
	Supply Pressure		20 to 102 psi
Stroke	Rotary Type		55 to 100°
	Air Connection		1/4 NPT
	Gauge Connection		1/8 NPT
	Ingress Protection		IP66
Linearity	Rotary Type		± 2% F.S.
	Hysteresis		± 1% F.S.
Sensitivity	Rotary Type		± 0.5% F.S.
	Repeatability		± 0.5% F.S.
	Air Consumption		2.5 LPM (sup = 0.14 MPa) 0.8 CFM (sup = 20 psi)
	Flow Capacity		80 LPM (sup = 0.14 MPa) 2.83 CFM (sup = 20 psi)
	Material		Aluminum Diecasting
	Weight		1.7 kg (3.1 lb)



Pneumatic Positioner YT-1200



Product Code	YT-1200R	D	5	3	2	S	(0)
Model YT-1200R = Rotary Positioner (standard)							
Acting Type S = Single D = Double (standard)							
Lever Type Rotary 5 = NAMUR (standard)							
Orifice Type 1 = $\Phi 1$ 2 = $\Phi 2$ 3 = None (standard)							
Air Connection 2 = 1/4 NPT							
Operating Temp S = -20 to +70°C (-4 to +158°F) (standard) H = -20 to +120°C (-4 to +248°F) L = 40 to +70°C (-40 to +158°F)							
Option 0 = None (standard) 1 = Dome Cover 2 = 4 to 20 mA feedback - SPTM-5V (Non-explosion) ¹ 3 = 4 to 20 mA feedback - SPTM-6V (Flameproof enclosure) ¹ 4 = Limit switch - YT-850 (Non-explosion) ² 5 = Limit switch - YT-870 (Flameproof enclosure) ² 6 = 4 to 20 mA feedback + Limit Switch - YT-870 (Flameproof enclosure) ²							

- Notes:**
 1. Only S, L of Operating Temperature is available
 2. Only 5 of Operating Temperature is available.



About ASC Engineered Solutions

ASC Engineered Solutions is defined by quality—in its products, services and support. With more than 1,400 employees, the company's portfolio of precision-engineered piping support, valves and connections provides products to more than 4,000 customers across industries, such as mechanical, industrial, fire protection, oil and gas, and commercial and residential construction. Its portfolio of leading brands includes ABZ Valve®, AFCON®, Anvil®, Anvil EPS, Anvil Services, Basic-PSA, Beck®, Catawissa, Cooplet®, FlexHead®, FPPI®, Gruklok®, J.B. Smith, Merit®, North Alabama Pipe, Quadrant®, SCI®, Sharpe®, SlideLOK®, SPF® and SprinkFLEX®. With headquarters in Commerce, CA, and Exeter, NH, ASC also has ISO 9001:2015 certified production facilities in PA, TN, IL, TX, AL, LA, KS, and RI.



asc-es.com

Building connections that last™

FC-DS-ABZ-YT-1000-YT-1200-v03 20241007

