

Building connections that last™



# YT-1000 & YT-1200

## Standard Positioner Datasheet



# Electro-Pneumatic Positioner YT-1000

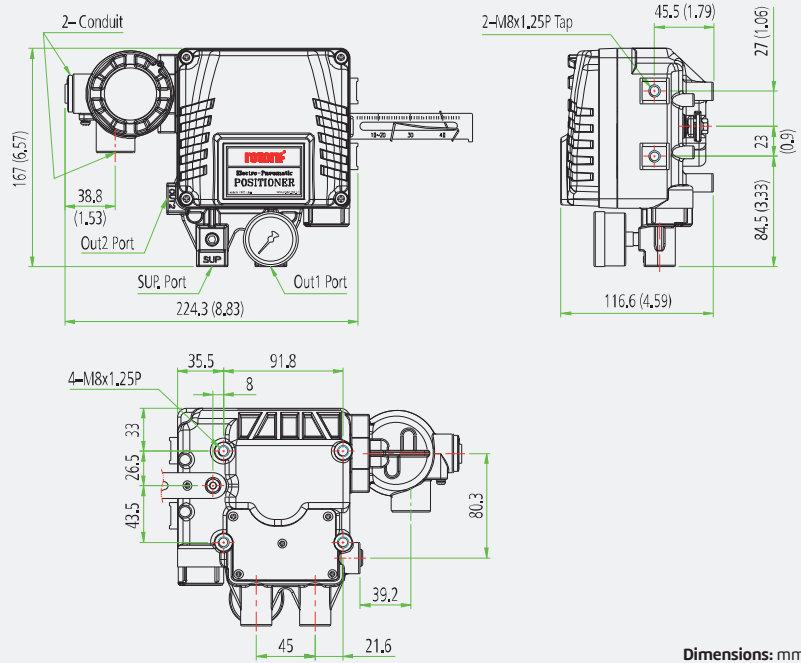


## Design Features

- **Simple zero and span adjustment.** Internal hand dials and locking screws for 4 to 20 mA range adjustments.
- **Reverse and direct acting settings.** Full and ½ split range setting by simple adjustment.
- **High vibration resistant.** No resonance between 5 to 200 Hz.
- **Internal feedback option.** Available on weatherproof model only.
- **Auto / manual switch.** Internal adjustment with lock screw safety.



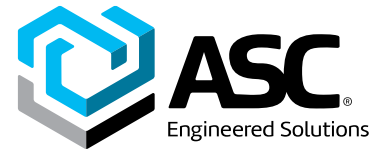
## YT-1000 Aluminum Enclosure



Dimensions: mm (Inches<sup>™</sup>)

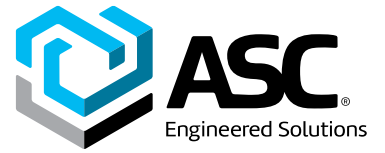


# Electro-Pneumatic Positioner YT-1000



Item Type		YT-1000
Input Signal		4 to 20 mA DC
Impedance		250 ± 15 Ω
Supply Pressure		20 to 102 psi
Stroke	Rotary Type	55 to 100°
Air Connection		1/4 NPT
Gauge Connection		1/8 NPT
Conduit		1/2 NPT
Explosion Protection Type		<b>ATEX / IECEx</b> (II 2 G) Ex dmb IIB T5, Ex ia IIC T6 (YT-1000 only)
		<b>INMETRO</b> (II 2 G) Ex dmb IIB T5
		<b>UKEX</b> II 2G Ex db mb IIB T5 Gb, NEMA 4X
		<b>KCs</b> Ex dmb IIB T5 / T4 / Ex dmb IIC T5 / Ex ia IBB T6 Gb
		<b>CSA</b> (Class 1, Zone 1) Ex dm IIB T5
		<b>FM</b> CL I, Div 1. Groups C, D T5; CLII, III, Div 1, Groups E, F, G T5; Type 4X
		<b>CCC, NEPSI</b> Ex db mb IIB T5 Gb Ex db mb IIC T6 Gb Ex ia IIC T6 Gb
		<b>TIIS</b> Ex dmb IIB T5
		<b>NEPSI</b> Ex d mb IIB T5 Gb Ex d mb IIC T6 Gb Ex ia IIC T6 Ga
		<b>PESO</b> Ex db mb IIB T5 Gb Ex ia IIC T6 Gb
Ingress Protection		YT-1000: IP66, TYPE 4X (FM)
Linearity	Single	± 1% F.S.
	Double	± 2% F.S.
Hysteresis		± 1% F.S.
Sensitivity	Single	± 0.2% F.S.
	Double	± 0.5% F.S.
Repeatability		± 0.5% F.S.
Air Consumption		2.5 LPM (sup = 0.14 MPa) 0.8 CFM (sup = 20 psi)
Flow Capacity		80 LPM (sup = 0.14 MPa) 2.83 CFM (sup = 20 psi)
Material		Aluminum Diecasting
Weight		YT-1000R: 2.8 kg (6.2 lb)

# Electro-Pneumatic Positioner YT-1000

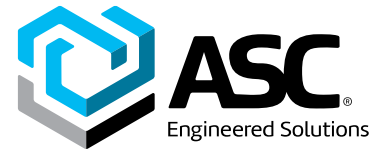


Product Code	YT-1000	R	D	N	5	3	5	S	0	(0)
<b>Model</b> YT-1000 = Aluminum										
<b>Motion Type</b> R = Rotary (standard)										
<b>Acting Type</b> S = Single D = Double (standard)										
<b>Explosion Protection<sup>1</sup></b> N = Non-explosionproof M <sup>2</sup> = Ex db mb IIB T5 Gb: ATEX, IECEx, KCs, NEPSI (YT-1000 only), UKEX, PESO A = Ex d m IIB T5: CSA (YT-1000 only) C = Ex d m IIB T5: KCs (YT-1000 only) X = Ex dmb IIB T5: TIIS (YT-1000 only) i = Ex ia IIC T6 Gb (YT-1000 only): ATEX / IECEx, KCs, UKEX, PESO T = Ex db mb IIB T5 Gb: INMETRO Z = Ex db mb IIB T5 Gb: CCC, NEPSI B = Ex db mb IIC T6 Gb: CCC, NEPSI (YT-1000 only) G = Ex ia IIC T6 Gb: CCC, NEPSI (YT-1000 only) F = FM (YT-1000 only)										
<b>Lever Type</b> Rotary 5 = NAMUR										
<b>Orifice Type</b> 1 = Φ1 2 = Φ2 3 = None (standard)										
<b>Conduit &amp; Air Connection</b> 5 = 1/2 NPT - 1/4 NPT (standard)										
<b>Operating Temp. (Non-explosion proof)<sup>3</sup></b> S = -20 to +70°C (-4 to +158°F) (standard) H = -20 to +120°C (-4 to +248°F) L = -40 to +70°C (-40 to +158°F)										
<b>Option 1 (YT-1000R)</b> 0= Dome Cover 1 = None (standard)										
<b>Option 2 (YT-1000R only)</b> 0 = None 1 = 4-20 mA Analogue Output (internal - only for non-explosion area protection) 2 = 4-20 mA Analogue Output (external, SPTM-6V, explosionproof) 3 = Limit Switch (2 ea), internal - only for non-explosion area protection). Requires Dome Cover 4 = Limit Switch (2 ea), external, YT-850 (non-explosion) or YT-870 (explosionproof) 5 = 4-20 mA Analogue Output + Limit Switch (2 ea) (internal - only for non-explosion area protection). Requires Dome Cover 6 = SPTM + Limit Switch (2 ea), external, YT-870, explosionproof)										

- Notes:**
- Only S of Operating Temperature is available for M (except KCs), T, F, X, Z, B, G, i.  
Only S, H of Operating Temperature are available for M (only KCs).  
Only S, L of Operating Temperature are available for A and C.
  - Please put the name of the certificate in a purchase order.
  - This option is just the normal operating temperature of the product and is not related to explosion protection temperature. See certificates for explosion protection temperature.



# Pneumatic Positioner YT-1200

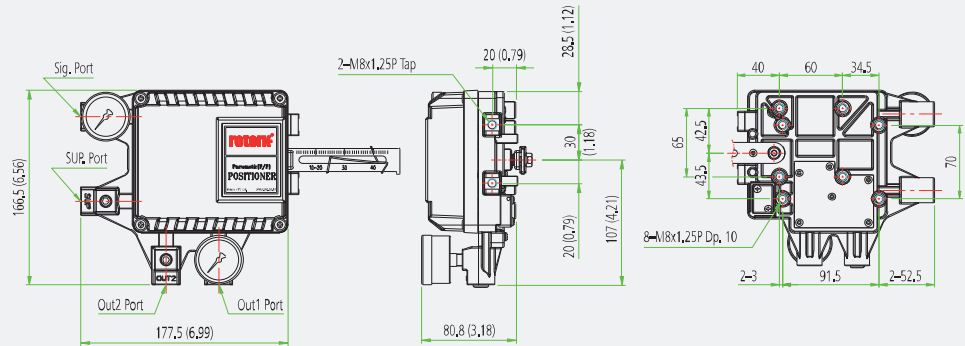


## Design Features

- **Simple zero and span adjustment.** Internal hand dials and locking screws for 3 to 15 psi range adjustments.
- **Reverse and direct acting settings.** Full and ½ split range setting by simple adjustment.
- **High vibration resistant.** No resonance between 5 to 200 Hz.
- **Auto / manual switch.** Internal adjustment with lock screw safety.



## YT-1200 Aluminum Enclosure



Dimensions: mm (Inches ")

Item Type		YT-1200R	
		Single	Double
<b>Input Signal</b>		3 to 15 psi	
<b>Supply Pressure</b>		20 to 102 psi	
<b>Stroke</b>	Rotary Type	55 to 100°	
<b>Air Connection</b>		1/4 NPT	
<b>Gauge Connection</b>		1/8 NPT	
<b>Ingress Protection</b>		IP66	
<b>Linearity</b>	Rotary Type	± 2% F.S.	
<b>Hysteresis</b>		± 1% F.S.	
<b>Sensitivity</b>	Rotary Type	± 0.5% F.S.	
<b>Repeatability</b>		± 0.5% F.S.	
<b>Air Consumption</b>		2.5 LPM (sup = 0.14 MPa) 0.8 CFM (sup = 20 psi)	
<b>Flow Capacity</b>		80 LPM (sup = 0.14 MPa) 2.83 CFM (sup = 20 psi)	
<b>Material</b>		Aluminum Diecasting	
<b>Weight</b>		1.7 kg (3.1 lb)	



# Pneumatic Positioner YT-1200



Product Code	YT-1200R	D	5	3	2	S	(0)
<b>Model</b> YT-1200R = Rotary Positioner (standard)							
<b>Acting Type</b> S = Single D = Double (standard)							
<b>Lever Type</b> Rotary 5 = NAMUR (standard)							
<b>Orifice Type</b> 1 = $\Phi 1$ 2 = $\Phi 2$ 3 = None (standard)							
<b>Air Connection</b> 2 = 1/4 NPT							
<b>Operating Temp</b> S = -20 to +70°C (-4 to +158°F) (standard) H = -20 to +120°C (-4 to +248°F) L = 40 to +70°C (-40 to +158°F)							
<b>Option</b> 0 = None (standard) 1 = Dome Cover 2 = 4 to 20 mA feedback - SPTM-5V (Non-explosion) <sup>1</sup> 3 = 4 to 20 mA feedback - SPTM-6V (Flameproof enclosure) <sup>1</sup> 4 = Limit switch - YT-850 (Non-explosion) <sup>2</sup> 5 = Limit switch - YT-870 (Flameproof enclosure) <sup>2</sup> 6 = 4 to 20 mA feedback + Limit Switch - YT-870 (Flameproof enclosure) <sup>2</sup>							

- Notes:**  
 1. Only S, L of Operating Temperature is available  
 2. Only 5 of Operating Temperature is available.



### **About ASC Engineered Solutions**

ASC Engineered Solutions is defined by quality—in its products, services and support. With more than 1,400 employees, the company's portfolio of precision-engineered piping support, valves and connections provides products to more than 4,000 customers across industries, such as mechanical, industrial, fire protection, oil and gas, and commercial and residential construction. Its portfolio of leading brands includes ABZ Valve®, AFCON®, Anvil®, Anvil EPS, Anvil Services, Basic-PSA, Beck®, Catawissa, Cooplet®, FlexHead®, FPPI®, Gruklok®, J.B. Smith, Merit®, North Alabama Pipe, Quadrant®, SCI®, Sharpe®, SlideLOK®, SPF® and SprinkFLEX®. With headquarters in Commerce, CA, and Exeter, NH, ASC also has ISO 9001:2015 certified production facilities in PA, TN, IL, TX, AL, LA, KS, and RI.



[asc-es.com](http://asc-es.com)

Building connections that last™

FC-DS-ABZ-YT-1000-YT-1200-v05 20250403

