

YT-870

Rotary Limit Switch Box Datasheet

ATEX, IECEx, CSA, CE



YTC Limit Switch

Type 4,4x

For General and Explosion
Proof Applications

Type 4,4x For General & Explosion Proof Applications YT-870



Limit Switch Rating

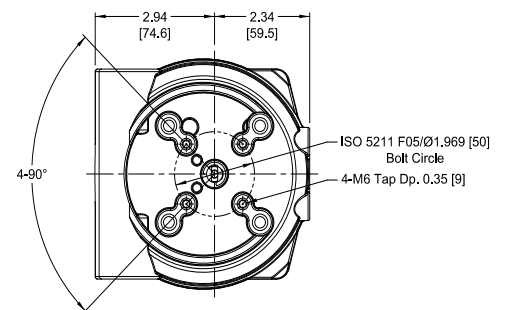
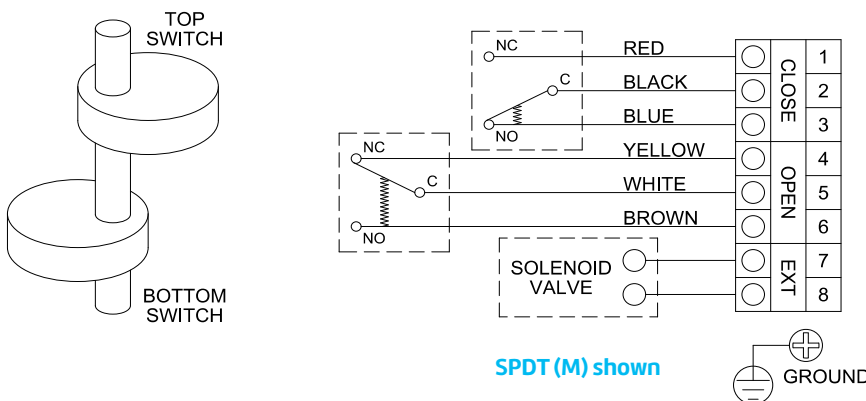
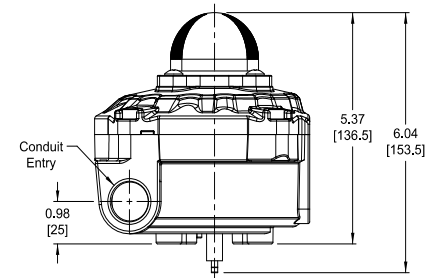
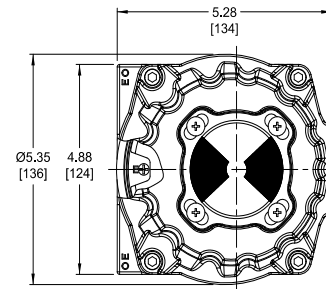
| | |
|--|--------------------------|
| SPDT Mechanical Switch (M) (standard) | AC 125v 5A / 250v 3A |
| | DC 125v 0.4A / 250v 0.2A |
| | DC 30v 4A, 14v 5A, 8v 5A |

| | |
|--|---------------------------|
| DPDT Mechanical Switch (D) (non-standard) | AC 125v or 250v 10A |
| | DC 125v 0.5A / 250v 0.25A |

| | |
|--|----------------------|
| Inductive Proximity Sensor (P) (non-standard) | DC 12~24v / NPN Type |
|--|----------------------|

Design Features

- ATEX, IECEx, CE
- CSA Certified for both US and Canada.
- - Class I, Zone 1, AEx db IIC T6
- - Class II, Div. 1, Groups E, F and G
- - Ex tb IIIC T85°C
- - Zone 21, AEx tb IIIC T85°C
- - Type 4, 4x, IP67
- 2-SPDT Mechanical Switches
- 8 Point Terminal Strip
- Aluminum Housing
- Polyester Power Coating
- Ambient Temperature -20 to 60°C (-4 to 140°F)
- Weight: 3.3 lbs
- Standard Mounting: NAMUR
- Use with ABZ, Quadrant and Sharpe Actuators



*Inches [millimeters]

Type 4, 4x For General & Explosion Proof Applications YT-870

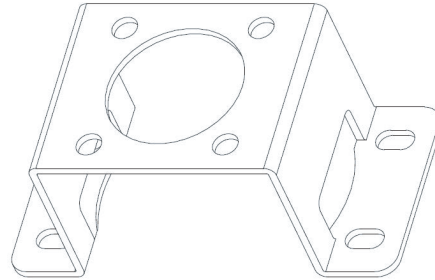


Example: YT-870M100

A Type 4, 4X, explosion proof limit switch box with (2) Mechanical SPDT switches, 3/4" threaded conduit, no bracket, is: YT-870M100.

| YT-870 | M | 1 | 0 | 0 |
|--------|--------------------------------|---------------------|---|----------------------|
| Series | Switch Type | Conduit Thread | Bracket Type | Suffix / Option |
| YT-870 | M Mechanical 2 S-SPDT | 1 3/4" NPT | 0 No Bracket | 0 |
| | <i>Non-Standard</i> | <i>Non-Standard</i> | <i>Non-Standard Ordered Separately See Page 4</i> | 0 None |
| | P Inductive Proximity Sensor 2 | 2 G 3/4" BSP | ordered separately | 1 4-20mA Transmitter |
| | D Mechanical 2-DPDT | 3 M20 x 1.5 pitch | 1 ST-1 (30x90/H20) | |
| | | 4 1/2" NPT | 2 ST-2 (30x80/H30) | |
| | | | 3 ST-3 (30x130/H30) | |
| | | | 4 ST-4 (30x130/H50) | |

Type 4, 4x For General & Explosion Proof Applications YT-870



Actuator Mounting Brackets – Ordered Separately

| ASC Item Number | Brand | Series | Used with | Description |
|-----------------|----------|----------------------------|--------------------------------------|--|
| 4350004810 | ABZ | Series 227 Series 228 | 50-115 [DA/SR] 20-300 [DA/SR] | 30mm x 80mm mounting pattern 20mm actuator shaft height [ST-1] * X40 add required part 435019960 |
| | QUADRANT | Series C | 125-11000 [DA/SR] | |
| | SHARPE | Series SPNII Series 4x4 | 50-100 [DA/SR] X40 * - X115 | |
| 4350004812 | ABZ | Series 227 Series 228 | NONE | 30mm x 80mm mounting pattern 30mm actuator shaft height [ST-2] |
| | QUADRANT | Series C | NONE | |
| | SHARPE | Series SPNII Series 4x4 | 115-60 [DA/SR] NONE | |
| 4350004814 | ABZ | Series 227 Series 228 | 125-270 [DA /SR] 500-3500 [DA/SR] | 30mm x 130mm mount pattern 30mm actuator shaft height [ST-3] |
| | QUADRANT | Series C | NONE | |
| | SHARPE | Series SPNII Series 4x4 | 180-200 & 350 [DA /SR] NONE | |
| 4350004816 | ABZ | Series 227 Series 228 | NONE NONE | 30mm x 130mm mounting pattern 50mm actuator shaft height [ST-4] |
| | QUADRANT | Series C | NONE | |
| | SHARPE | Series SPNII Series 4x4 | 240-350 [DA/SR] NONE | |

About ASC Engineered Solutions

ASC Engineered Solutions connects high-quality products with advanced technology, service, and support. With nearly 2,000 employees, the company's extensive portfolio of precision-engineered piping support, valves and connections provides products to professionals across industries, such as commercial and residential construction, industrial, fire protection, and oil and gas. Its portfolio of leading brands includes ABZ Valve®, AFCON®, Anvil®, Anvil EPS, Basic-PSA, Beck®, Catawissa, Cooplet®, FlexHead®, FPPI®, Gruvlok®, J.B. Smith, Merit®, NAP®, Quadrant®, SCI®, Sharpe®, SPF®, SprinkFLEX®, Trenton Pipe, VEP, and WARDFlex®. With headquarters in Oak Brook, IL, ASC also has ISO 9001:2015 certified production facilities in PA, TN, IL, TX, AL, KS, and RI.



asc-es.com

Building Connections That Last™

FC-DS-ABZ YT-870-Limit-Switches-v03 20250717

